

SCNRF - 6AAS - RAFFE

SUNTSU

CONNECTOR

RF

MAXIMUM FREQUENCY
6 GHz

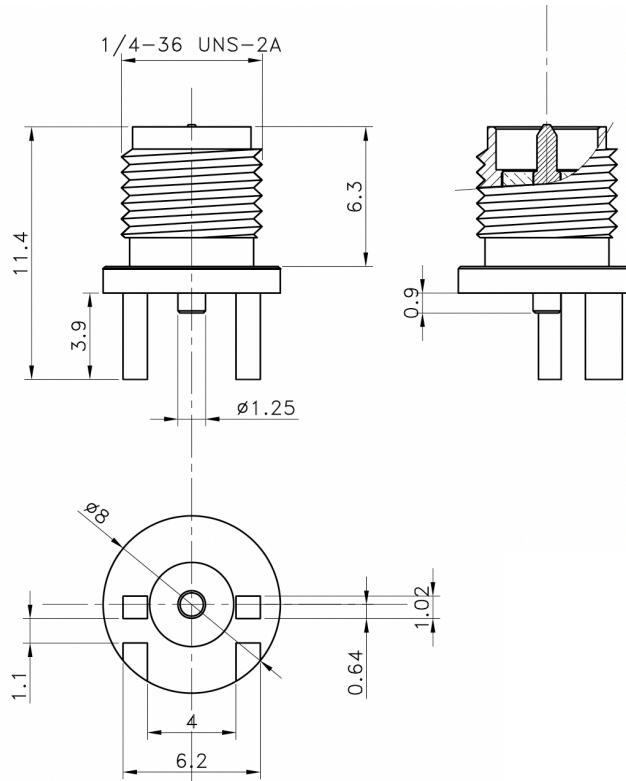
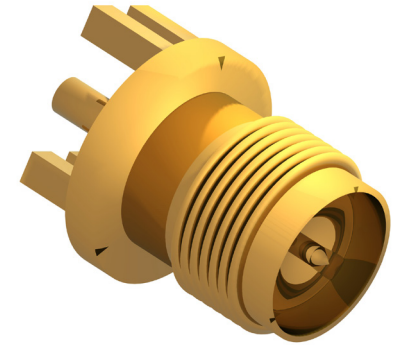
IMPEDANCE
50Ω

MOUNT TYPE
PCB SMT

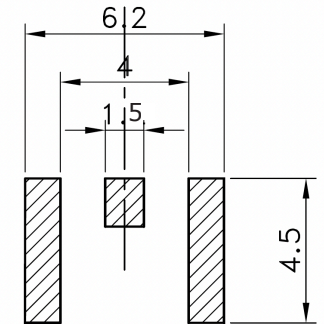
CONNECTOR TYPE
RP-SMA

GENDER
Female

ORIENTATION
Edge Launch



Recommended
Mounting
Layout



Impedance: 50Ω
 Frequency Range: 0GHz - 6GHz
 Voltage Standing Wave Ratio (VSWR): 1.5 MAX
 Working Voltage: 170 Vrms MAX
 Dielectric Withstanding Voltage: 500 Vrms MIN
 Operating Temperature: -55°C to 85°C
 Storage Temperature: -60°C to 165°C
 Center Contact Resistance: 3 mΩ MAX
 Outer Contact Resistance: 2 mΩ MAX
 Insulation Resistance: 2000 mΩ MAX



RP-SMA PCB EDGE LAUNCH
FEMALE CONNECTOR

Document History				Part No.	Drawn
Edits Made	Date	Edited By	Approved By	SCNRF-6AAS-RAFFE	B. Gibbons 02/02/2021
Initial Release	02/02/2021	B. Gibbons	KH Mun		
				Scale	Tolerance
				Unit	Pages
				mm	1/1