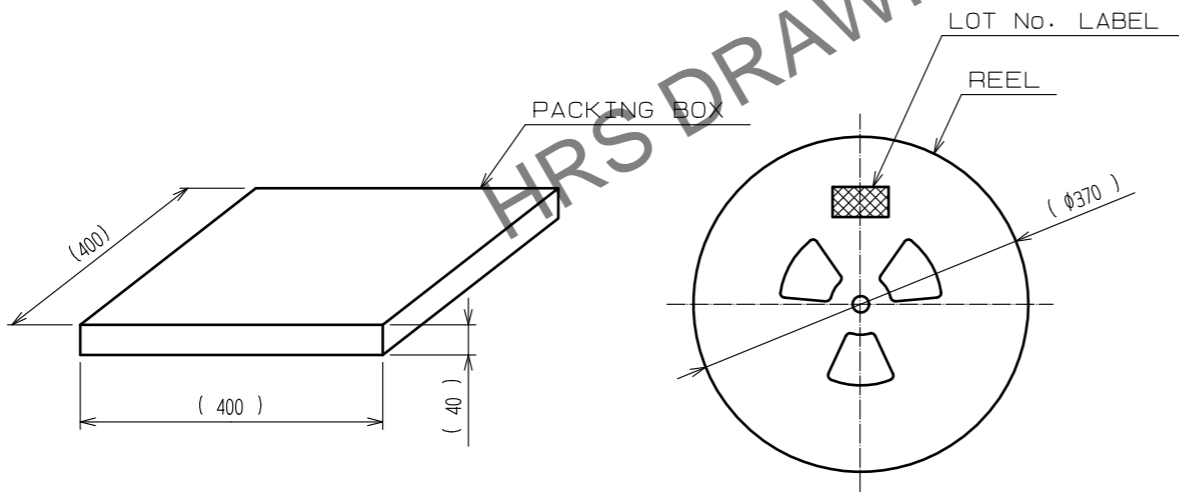
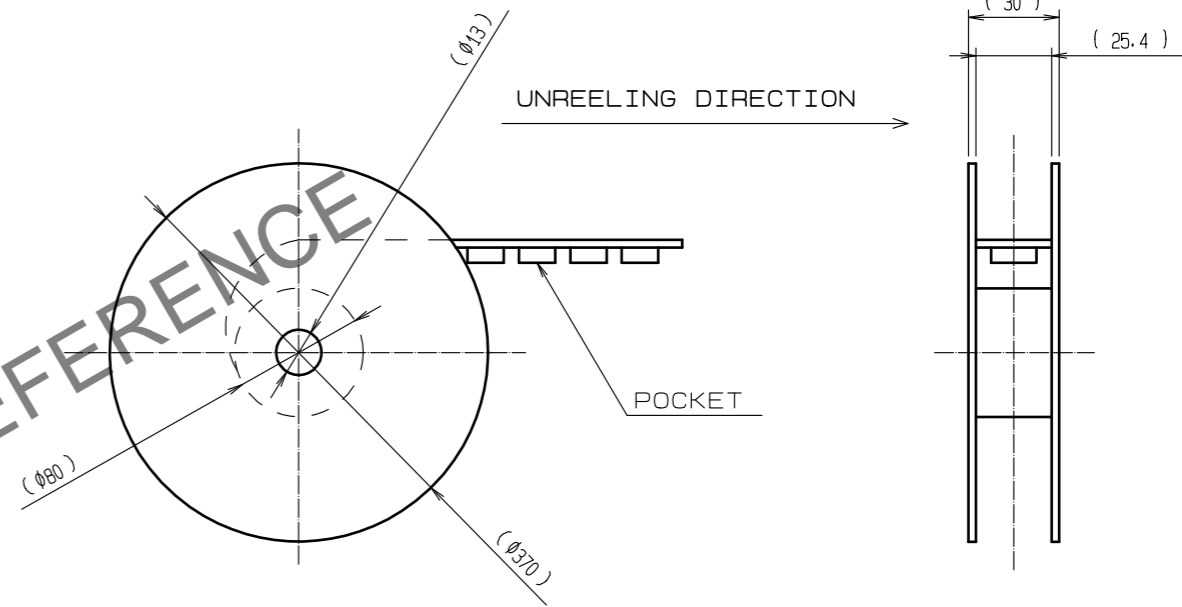
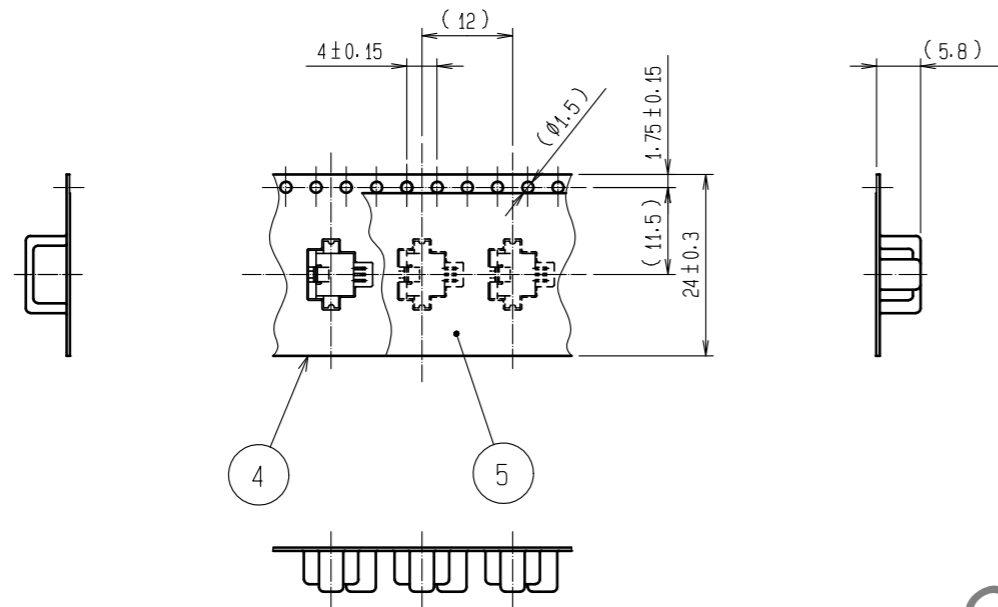




Jun.1.2026 Copyright 2026 HIROSE ELECTRIC CO., LTD. All Rights Reserved.  
 In case of consideration for using Automotive equipment / device which demand high reliability, kindly contact our sales window correspondents.

5 DRAWING FOR PACKAGING  
 (SCALE : FREE)

UNREELING DIRECTION →



NOTE 5 1REEL : 1000 PCS CONNECTORS.

(FOR EXAMPLE) LOT No. LABEL

PRODUCTION DATE	YEAR / MONTH / DAY
CODE No.	206-0950-4-33
PART No.	MQ172-3PA(33)
DELIVERY QUANTITY	1000 PCS
SUPPLIER	Hirose Electric Co., Ltd.

<b>HRS</b>	DRAWING NO.	EDC-120677-33-00
	PART NO.	MQ172-3PA(33)
	CODE NO.	CL206-0950-4-33
	2/2	