

PRODUCT DESCRIPTION CODE :

10155500-AXXXK LF

CODING TYPE :

A = CODING A
BLACK COLOR

B = CODING B
NATURAL COLOR

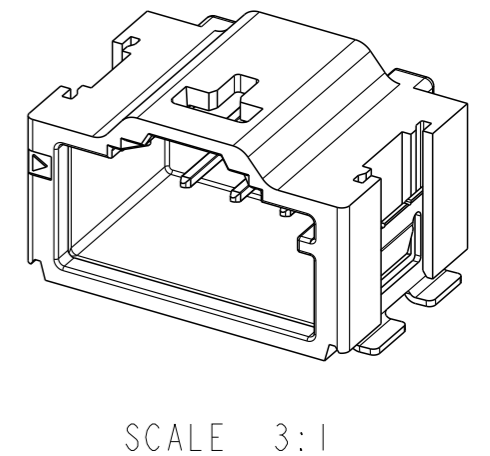
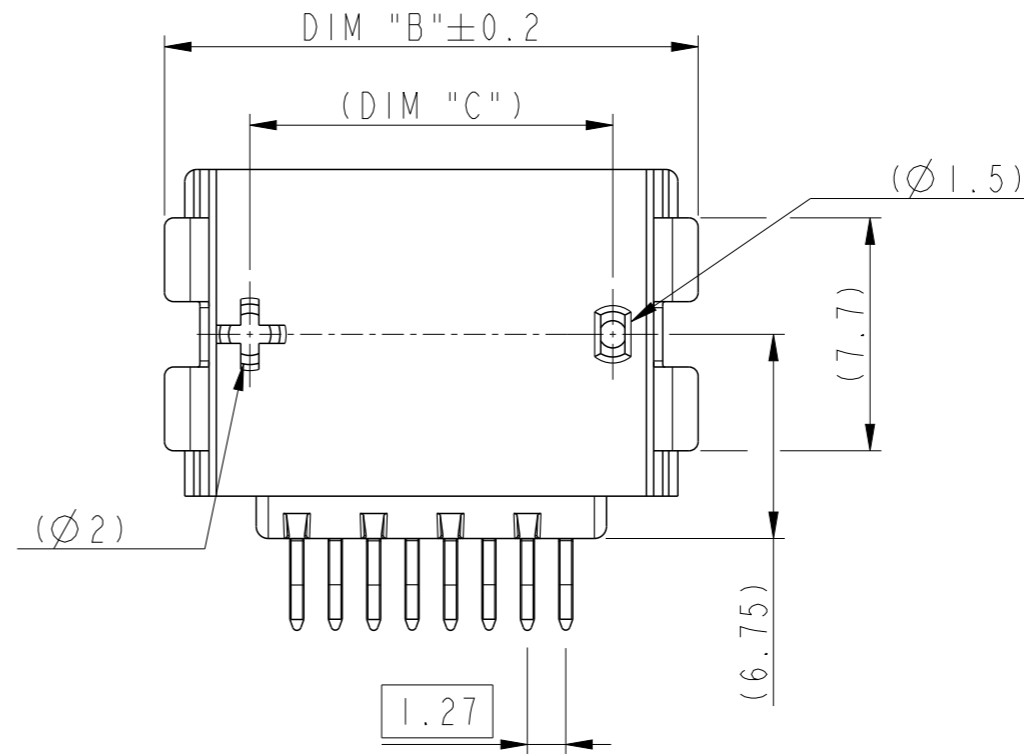
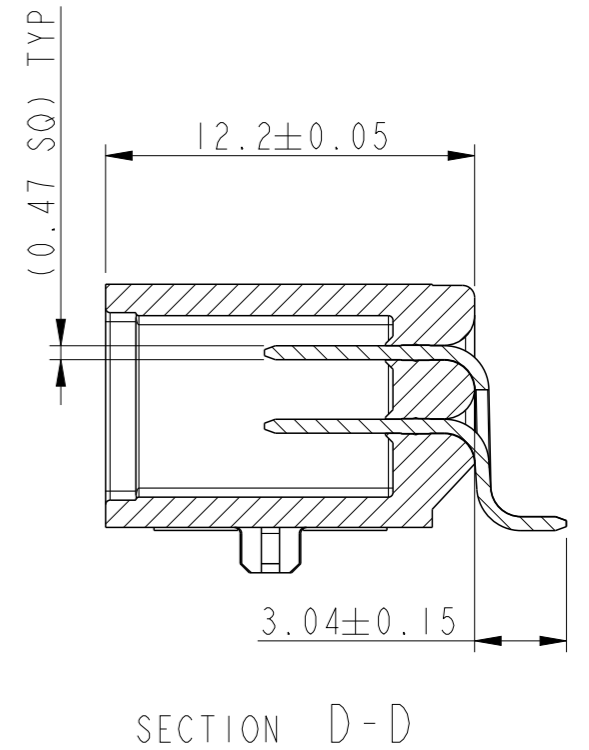
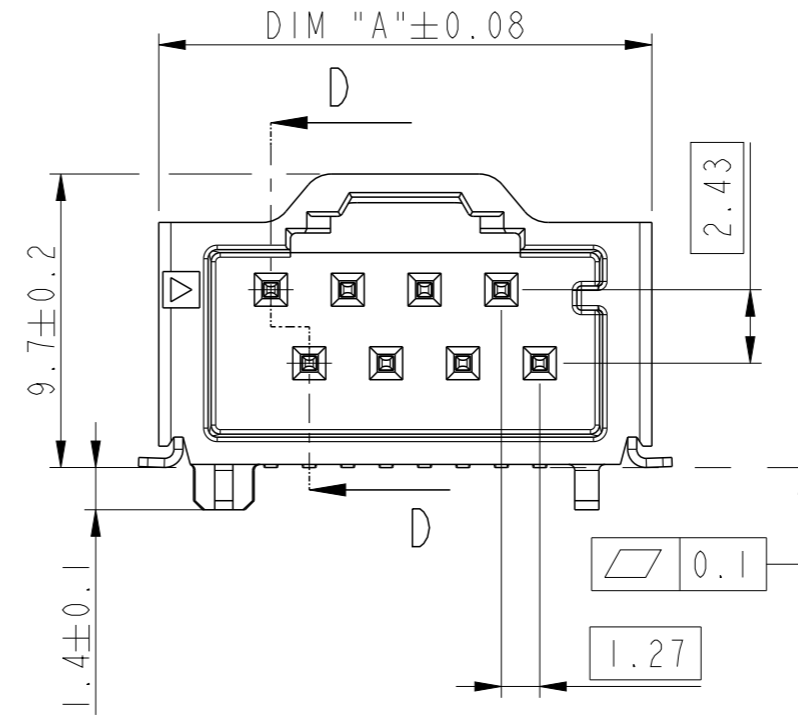
C = CODING C

- RoHS COMPATIBLE, SEE NOTE 4
- FOR CUSTOMER CODE :
BLANK = GENERAL USE
- PACKAGING :
K = TAPE & REEL
- NUMBER OF POSITIONS : 02 TO 16
- PLATING :
 - 1 = 3µm MIN MATTE TIN (PREPLATED)
 - 2 = 3µm MIN MATTE TIN (POST-PLATED)
 - 3 = 0.76µm MIN GOLD (CONTACT AREA)
 - ALL OVER 1.27µm MIN NICKEL UNDERLAYER

NOTES:

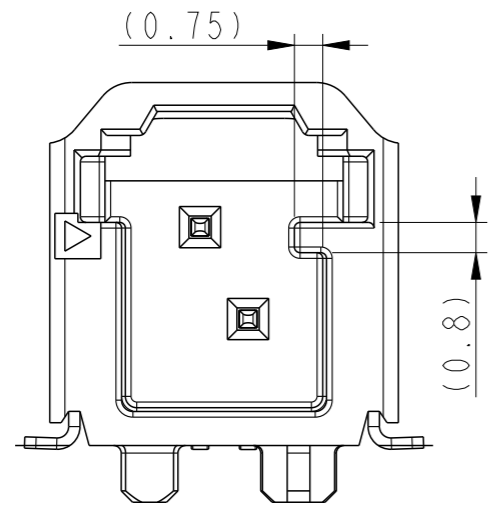
- 1 - MATERIAL:
HOUSING : HIGH TEMPERATURE THERMOPLASTIC UL94 V-0

PIN : HIGH CURRENT COPPER ALLOY
- 2 - TO BE MATED WITH MINITEK MicroSpaceXS RECEPTACLE SERIES 10155504
- 3 - PRODUCT SPECIFICATION : GS-12-1634
APPLICATION SPECIFICATION: GS-20-0657
PACKAGING SPECIFICATION : GS-14-2777
- 4 - RoHS COMPATIBLE PRODUCT SPECIFICATIONS
 - a - PLATING:
"LF" MEANS THE PRODUCT IS LEAD FREE,
3µm MINIMUM MATTE TIN OVER 1.27µm MINIMUM NICKEL UNDERPLATE.
 - b - MANUFACTURING PROCESS COMPATIBILITY:
THE HOUSING WILL WITHSTAND EXPOSURE TO 260°C PEAK TEMPERATURE FOR 30 SECONDS MAX IN A CONVECTION, INFRA-RED OR VAPOR PHASE OR REFLOW OVEN.
 - c - LABELLING :
MEETS PACKAGING SPECS AS PER GS-14-920
 - d - LEGAL STATEMENT :
SEE GS-47-0004.

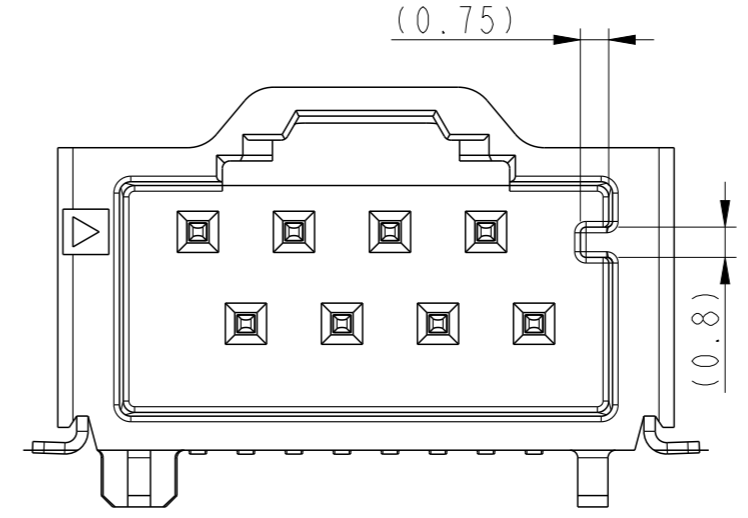


spec ref		dr	Sawanth, Ambaa	2020/06/01	projection	mm	size	A3	scale	4:1
tolerance std		eng	Canque, Vincen	2023/08/10			ecn no		ELX-F-48981-1	
ISO 406 ISO 1101		chr	Moisan, Gwenda	2023/08/10			rel level		Released	
TOLERANCES UNLESS OTHERWISE SPECIFIED		appr	Vallière, Jérô	2023/08/10	product family					
surface	linear	0.X	±0.3	Amphenol FCI	TITLE: HEADER ASSY STG TOP LATCH MINITEK MicroSpaceXS		dwg no 10155500	rev F		
		0.XX	±0.1		cat. no.			-		Product - Customer Drw
		0.XXX	-		sheet 1 of 4					
ISO 1302	angular	0°	±2°	PDS: Rev :F		STATUS:Released		Printed: Aug 11, 2023		

COD A VIEWS AND DIMENSIONS

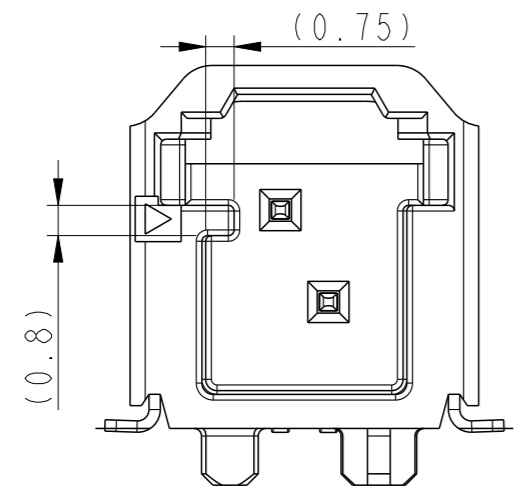


FOR 2 POS

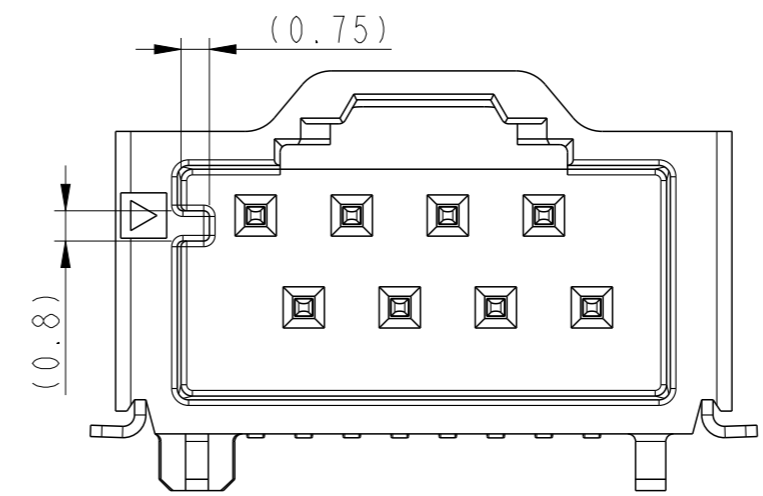


FOR 3 TO 16 POS

COD B VIEWS AND DIMENSIONS

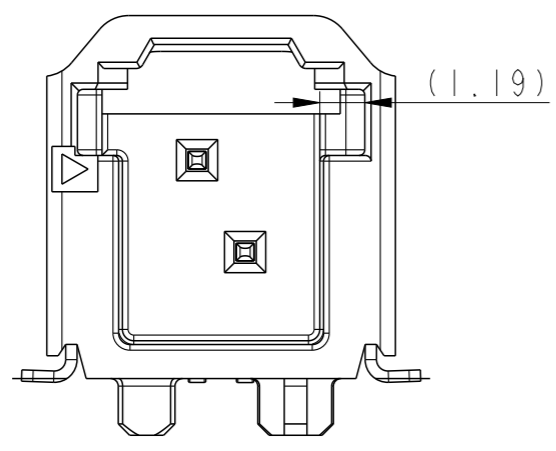


FOR 2 POS

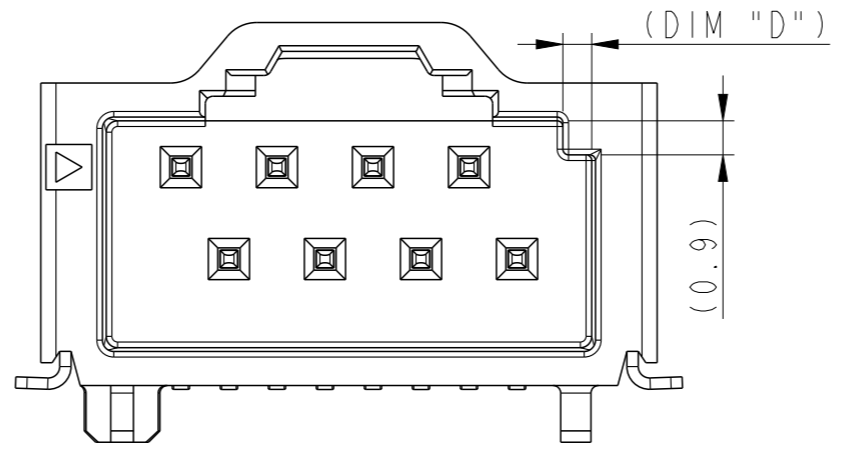


FOR 3 TO 16 POS

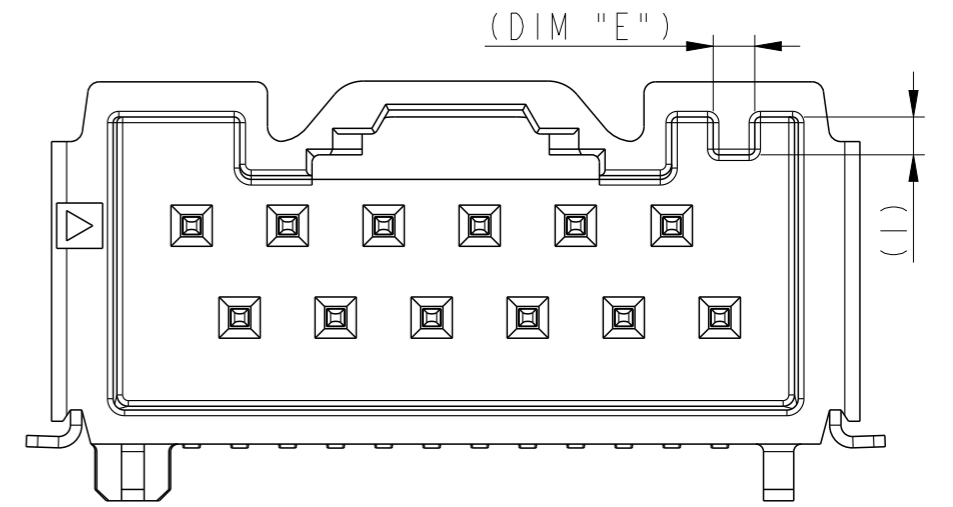
COD C VIEWS AND DIMENSIONS



FOR 2 POS

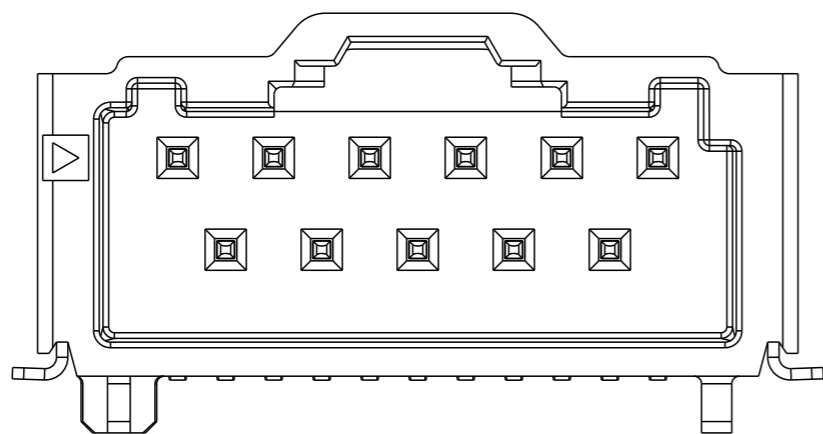
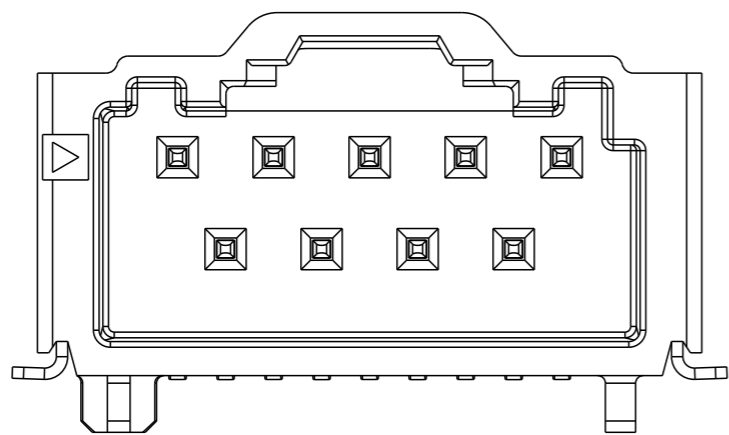


FOR 3 TO 11 POS

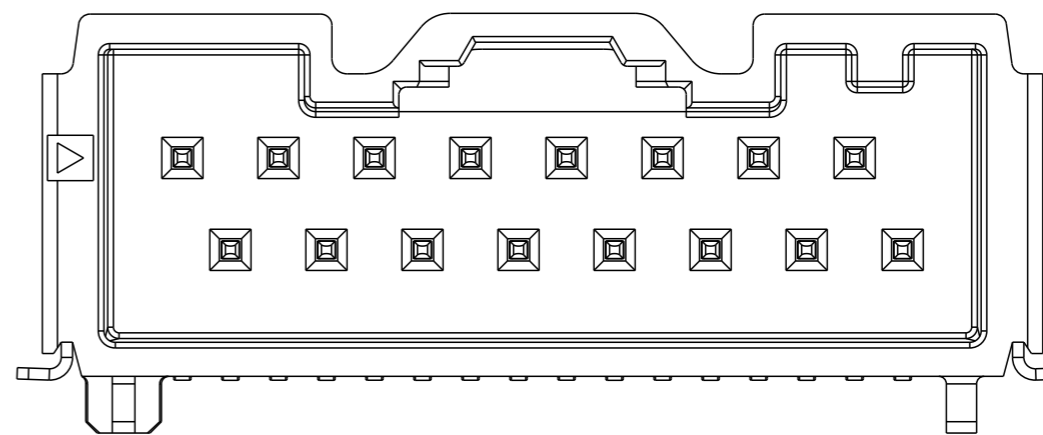
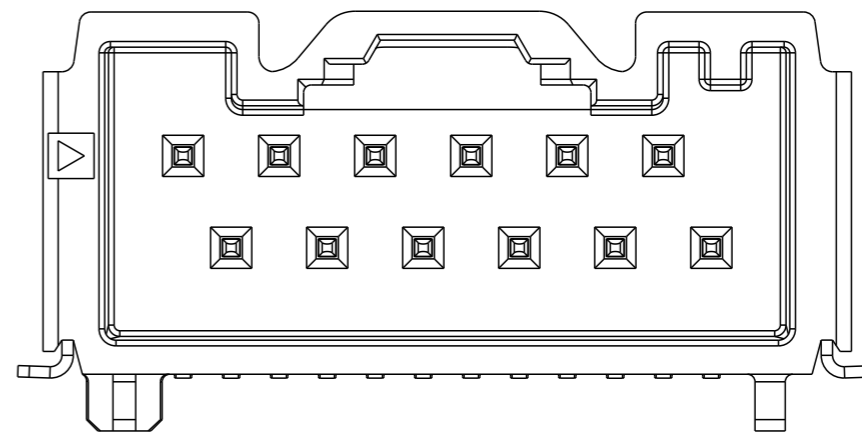


FOR 12 TO 16 POS

spec ref	GS-12-1634	dr	Sawanth, Ambaa	2020/06/01	projection	mm	size	A3	scale	5:1
tolerance std	ISO 406 ISO 1101	eng	Canque, Vincen	2023/08/10			ecn no	ELX-F-48981-1		
TOLERANCES UNLESS OTHERWISE SPECIFIED		chr	Moisan, Gwenda	2023/08/10			rel level	Released		
surface	linear	0.X	±0.3		product family -	cat. no. -	dwg no 10155500	rev F	Product - Customer Drw	
		0.XX	±0.1						sheet 2 of 4	
	angular	0°	±2°							

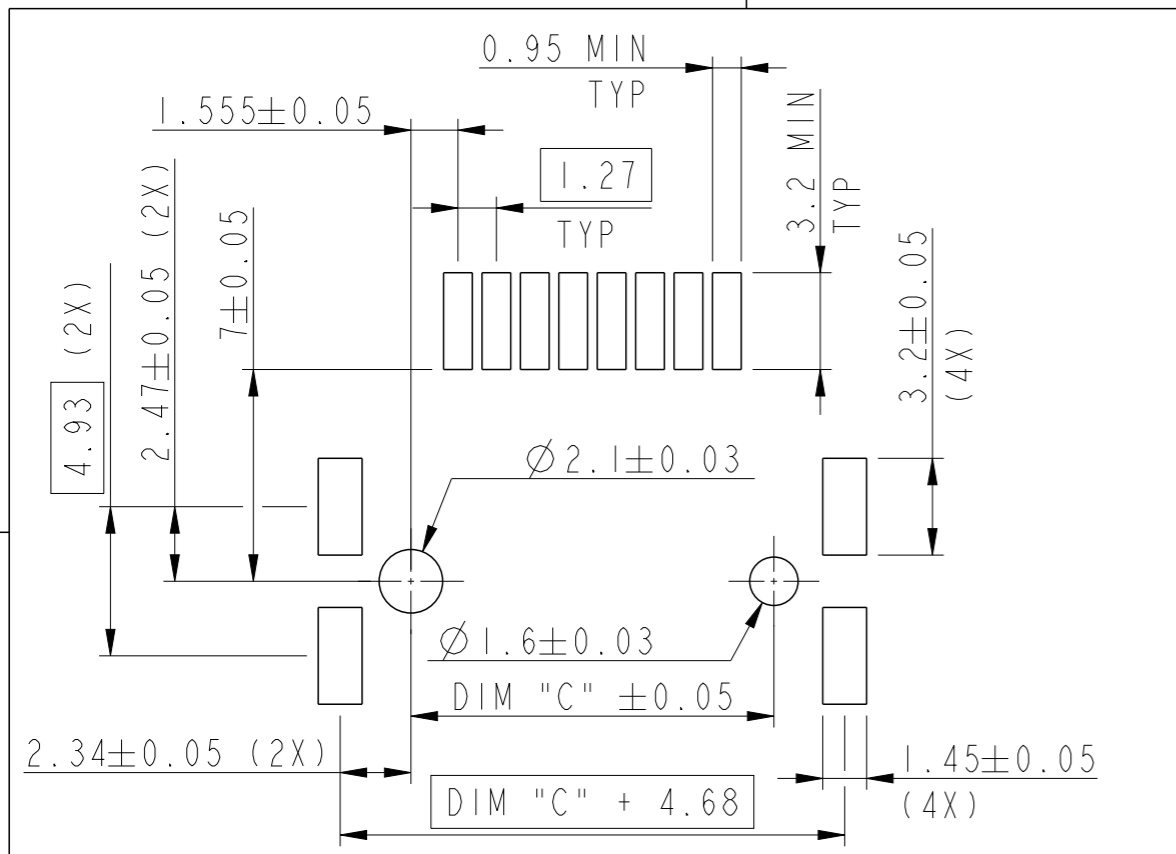


GROOVES ILLUSTRATION : FOR 09 TO 11-POS VERSION



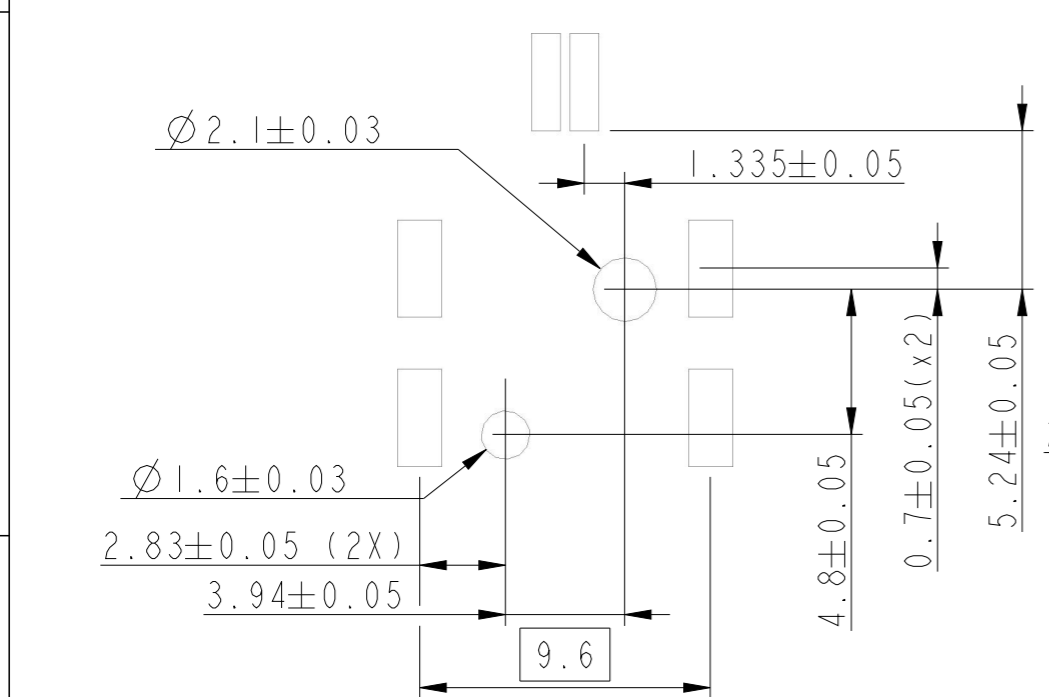
GROOVES ILLUSTRATION : FOR 12 TO 16-POS VERSION

spec ref		GS-12-1634		dr	Sawanth, Ambaa	2020/06/01	projection 	mm ←→	size	A3	scale	5:1	
tolerance std		TOLERANCES UNLESS OTHERWISE SPECIFIED		eng	Canque, Vincen	2023/08/10			ecn no	ELX-F-48981-1			
ISO 406 ISO 1101				chr	Moisan, Gwenda	2023/08/10			rel level	Released			
surface	linear	0.X	±0.1	Amphenol FCi	MINITEK MicroSpaceXS	cat. no.	-	Product - Customer Drw	sheet 3 of 4	dwg no	10155500	rev	F
		0.XX	±0.1										
ISO 1302	angular	0°	±2°										

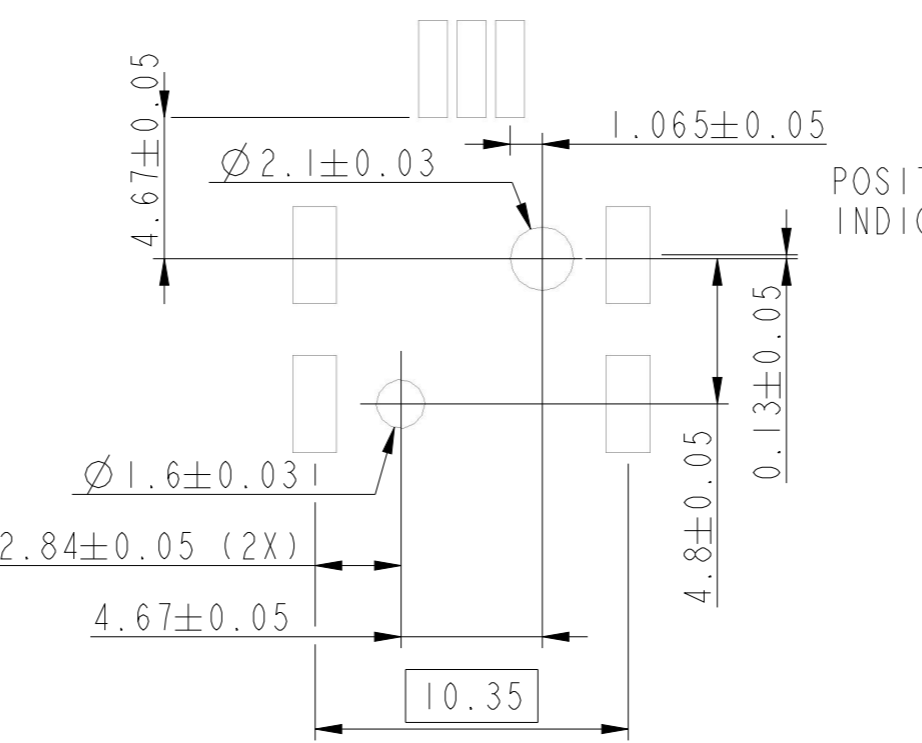


RECOMMENDED PCB LAYOUT FOR 4 pos to 16 pos
 FOR STENCIL THICKNESS SEE APPLICATION SPEC

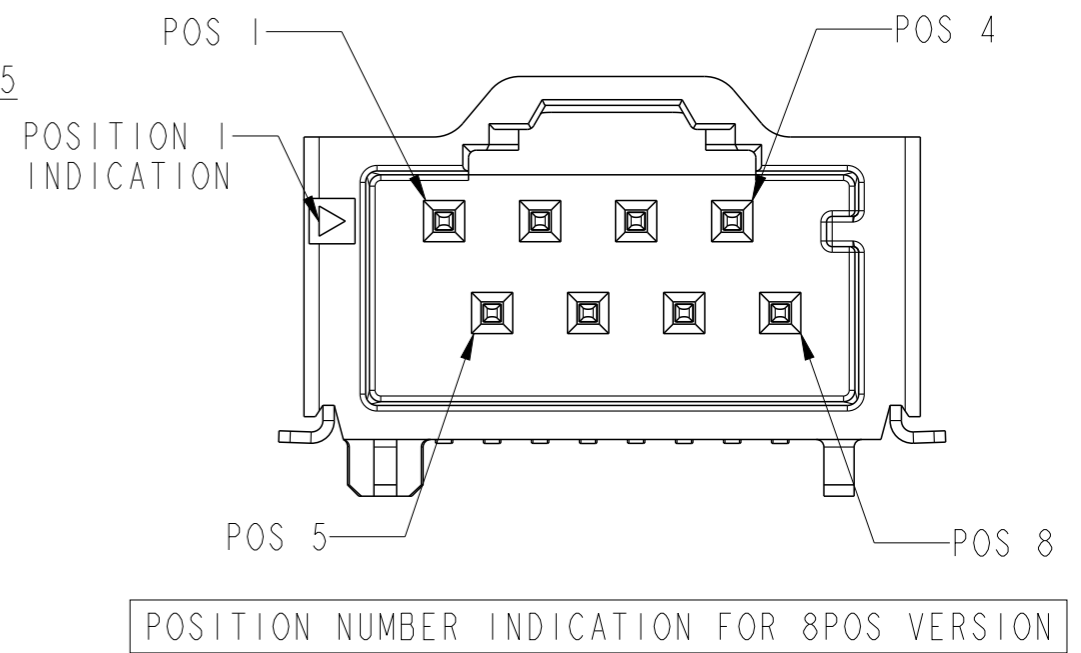
PART NO.	AVAILABILITY	NO. OF POSN	DIM "A"	DIM "B"	DIM "C"	DIM "D"	DIM "E"
10155500-AX02KLF	ON DEMAND	02	09.22	10.56	N/A	N/A	N/A
10155500-AX03KLF	ON DEMAND	03	09.95	11.29	N/A	0.59	N/A
10155500-AX04KLF	ON DEMAND	04	11.22	12.56	06.92	0.76	N/A
10155500-AX05KLF	ON DEMAND	05	12.49	13.83	08.19	0.72	N/A
10155500-AX06KLF	ON DEMAND	06	13.76	15.10	09.46	0.76	N/A
10155500-AX07KLF	ON DEMAND	07	15.03	16.37	10.73	0.76	N/A
10155500-AX08KLF	TOOLED	08	16.30	17.64	12.00	0.76	N/A
10155500-AX09KLF	ON DEMAND	09	17.57	18.91	13.27	0.76	N/A
10155500-AX10KLF	TOOLED	10	18.84	20.18	14.54	0.76	N/A
10155500-AX11KLF	ON DEMAND	11	20.11	21.45	15.81	0.76	N/A
10155500-AX12KLF	ON DEMAND	12	21.38	22.72	17.08	N/A	1.10
10155500-AX13KLF	ON DEMAND	13	22.65	23.99	18.35	N/A	1.10
10155500-AX14KLF	ON DEMAND	14	23.92	25.26	19.62	N/A	1.50
10155500-AX15KLF	TOOLED	15	25.19	26.53	20.89	N/A	1.50
10155500-AX16KLF	ON DEMAND	16	26.46	27.80	22.16	N/A	1.50



RECOMMENDED PCB LAYOUT FOR 2 pos
 FOR STENCIL THICKNESS SEE APPLICATION SPEC



RECOMMENDED PCB LAYOUT FOR 3 pos
 FOR STENCIL THICKNESS SEE APPLICATION SPEC



spec ref	GS-12-1634	dr	Sawanth, Ambaa	2020/06/01	projection	mm	size	A3	scale	5:1
tolerance std	ISO 406 ISO 1101	eng	Canque, Vincen	2023/08/10			ecn no	ELX-F-48981-1	rel level	Released
TOLERANCES UNLESS OTHERWISE SPECIFIED		chr	Moisan, Gwenda	2023/08/10						
surface	linear	0.X	±0.3	Amphenol FCI	title HEADER ASSY STG TOP LATCH MINITEK MicroSpaceXS		dwg no 10155500	rev F	cat. no. - Product - Customer Drw	
		0.XX	±0.1		sheet 4 of 4					
	angular	0°	±2°		PDS: Rev :F STATUS:Released Printed: Aug 11, 2023					