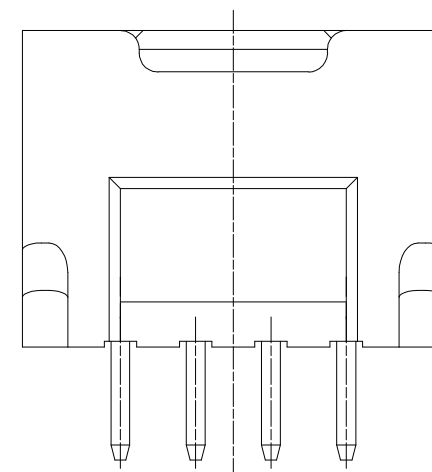
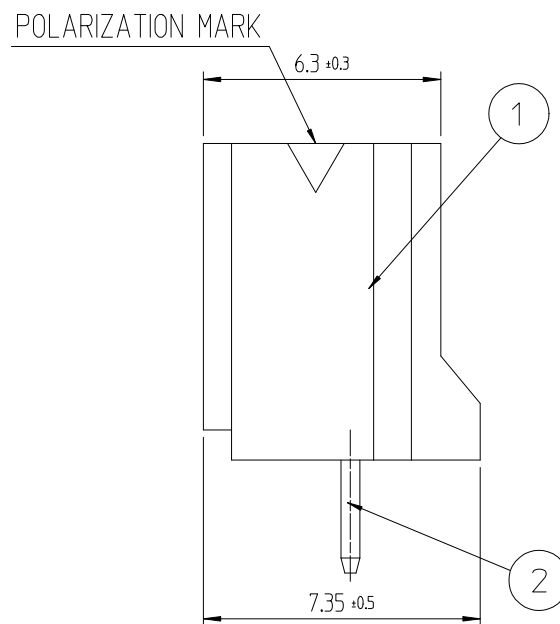
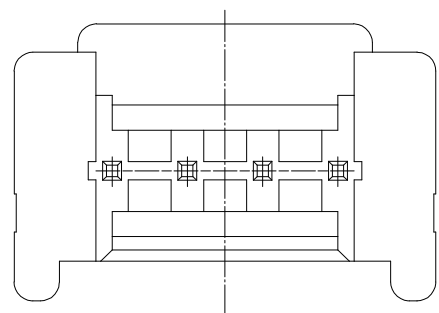
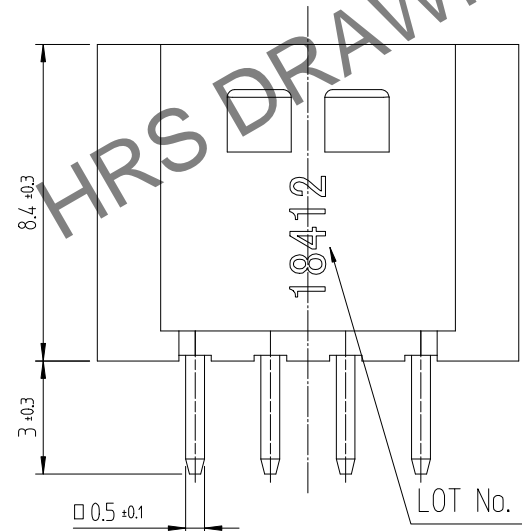
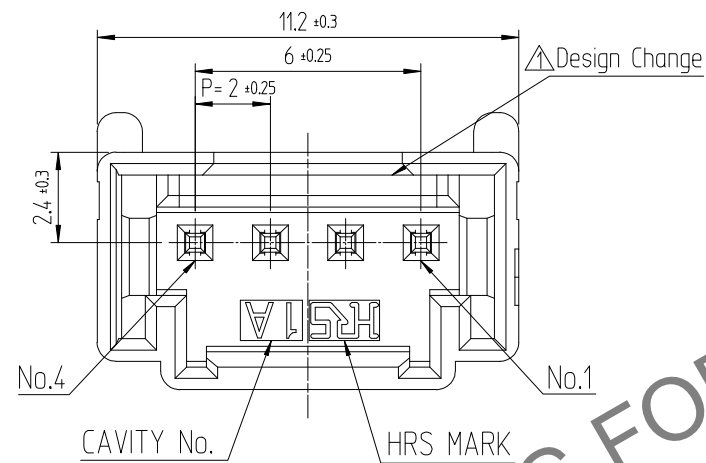
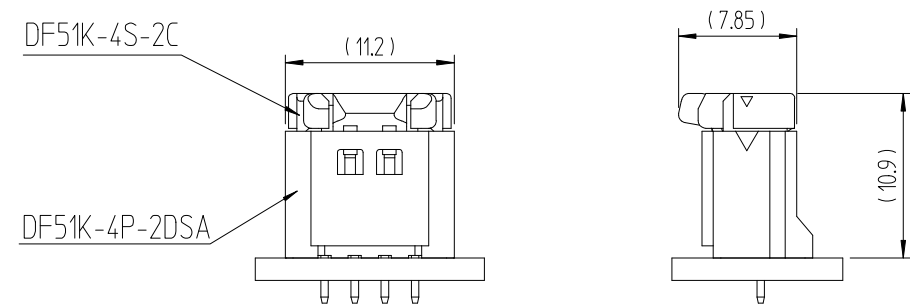


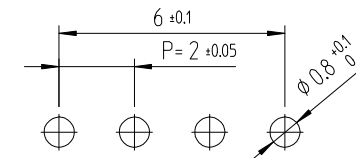
In case of consideration for using Automotive equipment / device which demand high reliability, kindly contact our sales window



ENGAGEMENT FIGURE (2:1)



RECOMMENDED LAND PATTERN (FREE)  
(PCB THICKNESS t=1.6mm)



NOTE 1. 1PACK CONTAINS 100PCS.  
2. ( ) DIMENSIONS ARE ONLY REFERENCE.  
△ 3. UL(File No. E132750) AUTHORIZATION ARTICLE.  
C-UL(File No. E132750) AUTHORIZATION ARTICLE.



| △數<br>COUNT | 訂正事項<br>DESCRIPTION OF REVISIONS | 擔當<br>B Y | 檢圖<br>CHKD | 年月日<br>DATE | △數<br>COUNT | 訂正事項<br>DESCRIPTION OF REVISIONS | 擔當<br>B Y | 檢圖<br>CHKD | 年月日<br>DATE |
|-------------|----------------------------------|-----------|------------|-------------|-------------|----------------------------------|-----------|------------|-------------|
| 1           | RE-6-1150                        | K.I.Y     | L.S.M      | 18. 07. 04  |             |                                  |           |            |             |
| 2           | RE-6-1579                        | K.I.Y     | L.S.M      | 20. 01. 23  |             |                                  |           |            |             |
|             |                                  |           |            |             |             |                                  |           |            |             |

|                            |          |                |                                 |                         |  |                         |                         |
|----------------------------|----------|----------------|---------------------------------|-------------------------|--|-------------------------|-------------------------|
| 1                          | △ PA66   | UL94V-0, BLACK | 2                               | BRASS                   | GOLD PLATING 0.1μm MIN,<br>OVER NICKEL 0.5μm MIN |                         |                         |
| NO.                        | MATERIAL | FINISH,REMARKS | NO.                             | MATERIAL                | FINISH,REMARKS                                   |                         |                         |
| CODE NO. (OLD)             |          |                | DRAWN                           | DESIGNED                | CHECKED  | APPROVED                | RELEASED                |
|                            |          |                | CHOI<br>17.12.22<br>J.S         | CHOI<br>17.12.22<br>J.S | LIM<br>17.12.22<br>S.M                           | KANG<br>17.12.22<br>T.S | ENG<br>20.02.12<br>DEPT |
| DRAWING NO.<br>EDC3-632454 |          |                | PART NO.<br>DF51K-4P-2DSA (805) |                         |  |                         |                         |
| SCALE<br>5:1               |          |                | CODE NO.<br>CL 6652-0003-7-805  |                         |  |                         | 1/1                     |
| UNITS<br>mm                |          |                | HRS HIROSE KOREA CO.,LTD.       |                         |  |                         |                         |