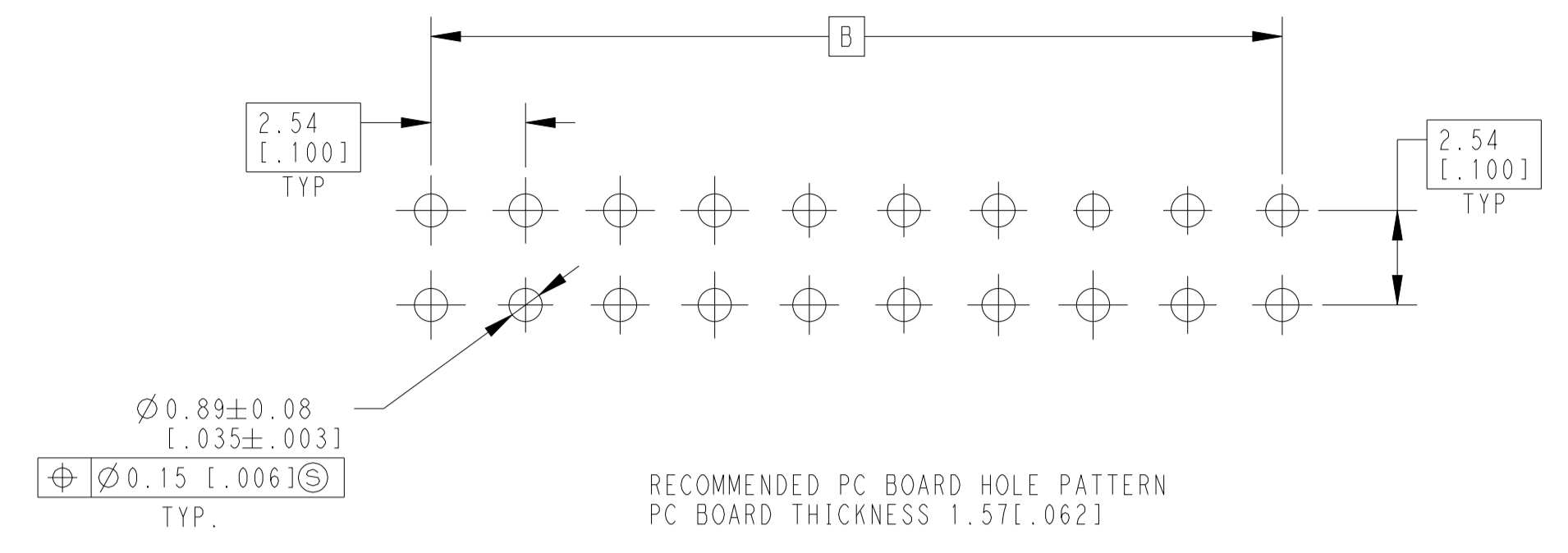
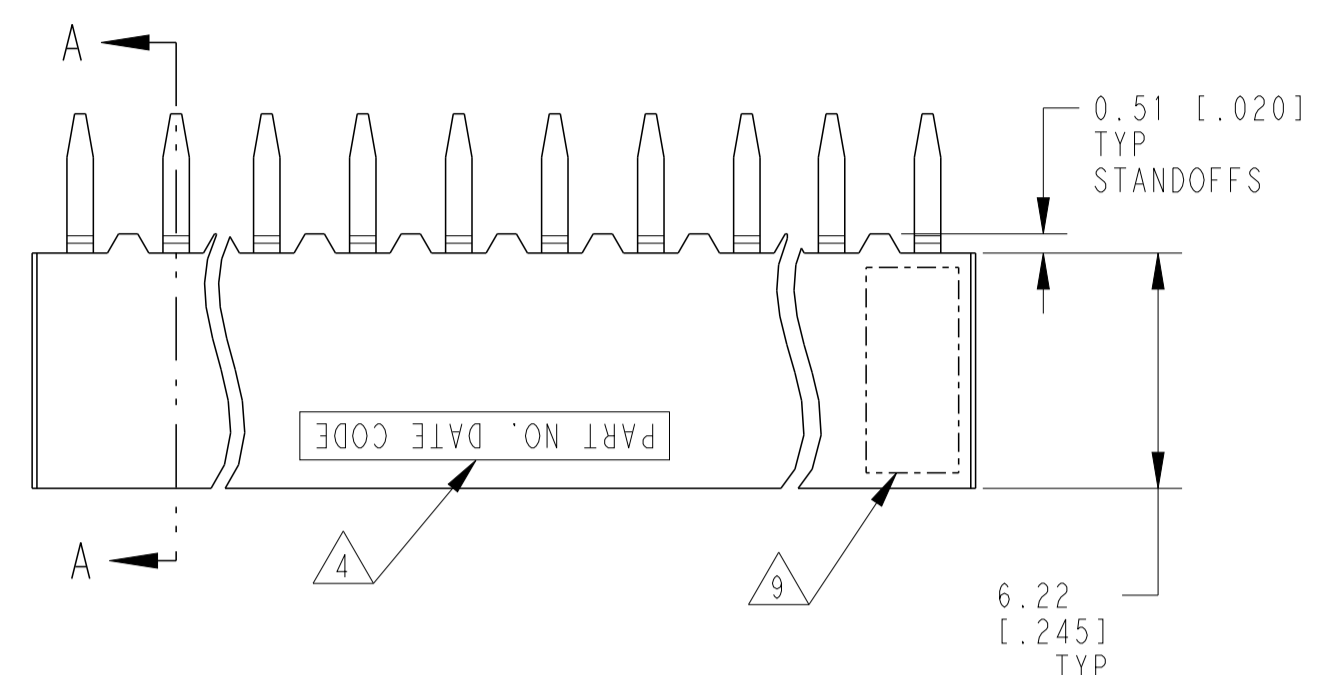
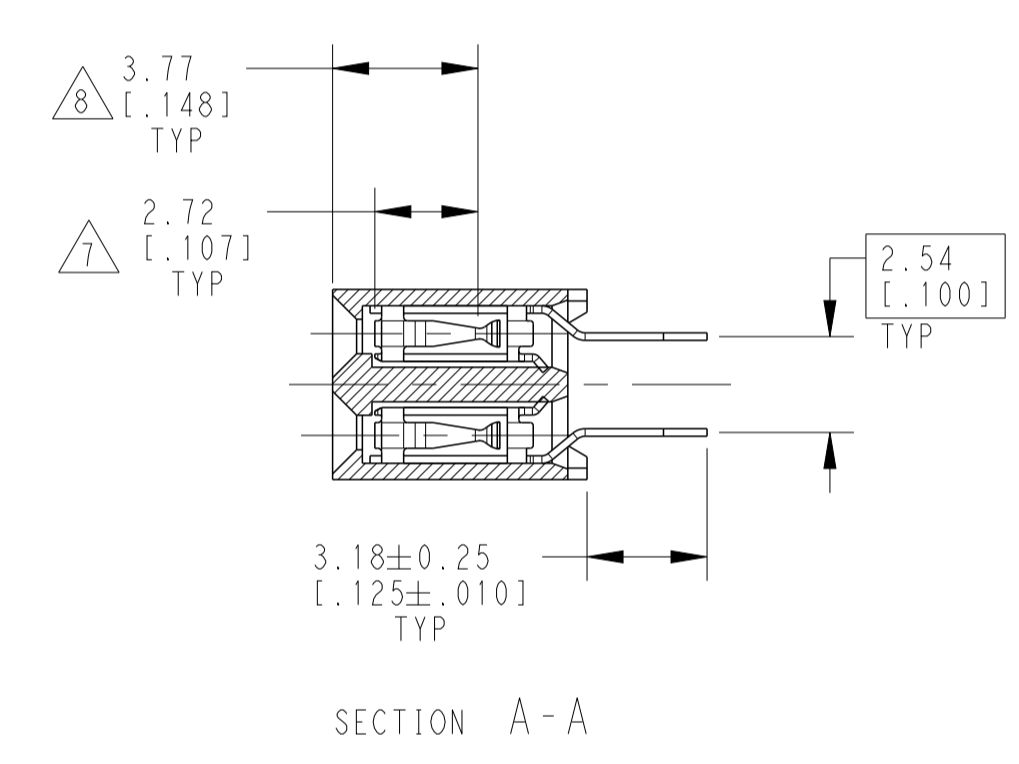
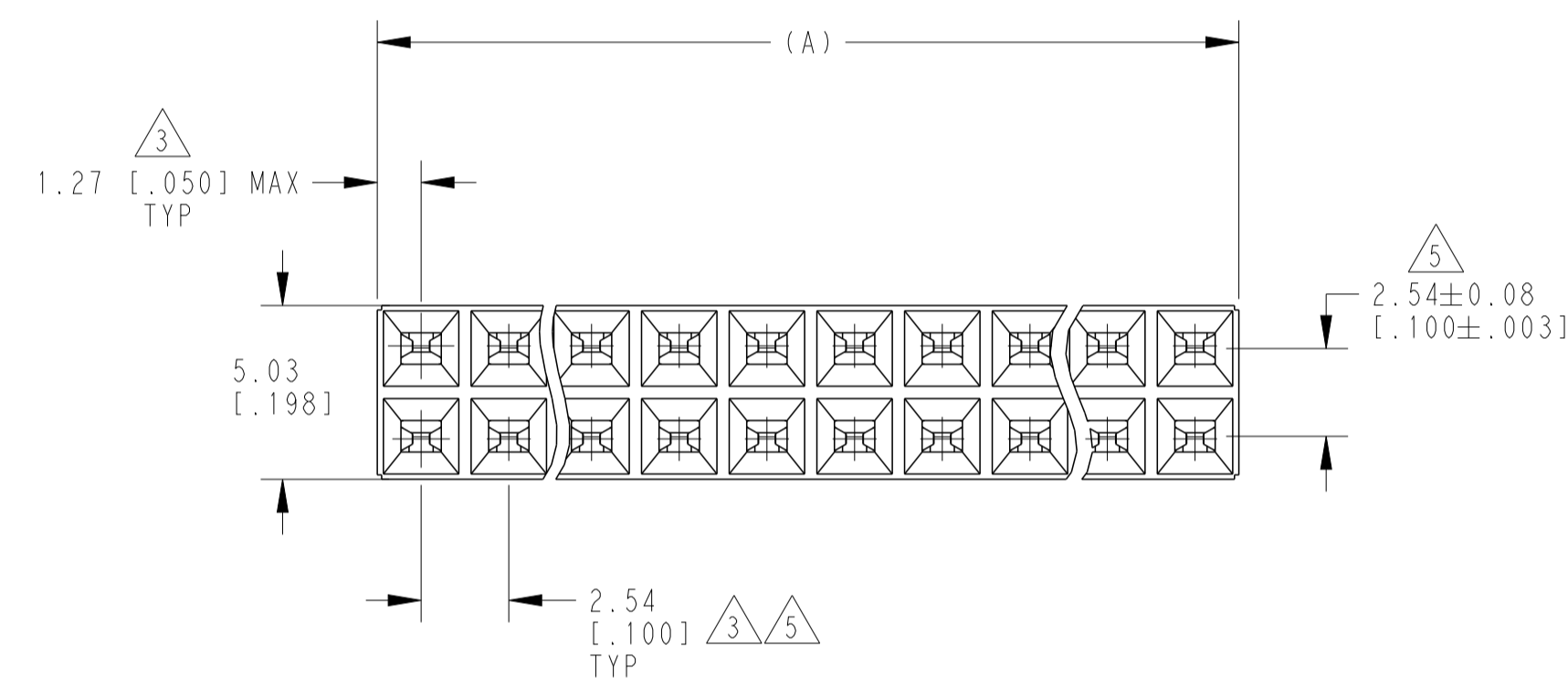


REVISIONS				
P	LTN	DESCRIPTION	DATE	APVD
R		HOUSING RESIN CHANGED	27OCT2021	SCB KJK
S		RIB FEATURE IS ADDED IN THE STANDOFF FEATURE	18JUN2025	RS GVP



SEE SHEET 2
FOR P/N'S -51 THRU -90



SUPERSEDED BY	FINISH	B	A	NO OF POSN	PART NUMBER
SUPERSEDED BY 9-534998-0	2	99.06[3.900]	101.60[4.000]	80	4-534998-0
	2	96.52[3.800]	99.06[3.900]	78	3-534998-9
	2	93.98[3.700]	96.52[3.800]	76	3-534998-8
	2	91.44[3.600]	93.98[3.700]	74	3-534998-7
	2	88.90[3.500]	91.44[3.600]	72	3-534998-6
SUPERSEDED BY 8-534998-4	2	86.36[3.400]	88.90[3.500]	70	3-534998-5
	2	83.82[3.300]	86.36[3.400]	68	3-534998-4
	2	81.28[3.200]	83.82[3.300]	66	3-534998-3
	2	78.74[3.100]	81.28[3.200]	64	3-534998-2
	2	76.20[3.000]	78.74[3.100]	62	3-534998-1
SUPERSEDED BY 7-534998-6	2	73.66[2.900]	76.20[3.000]	60	3-534998-0
	2	71.12[2.800]	73.66[2.900]	58	2-534998-9
	2	68.58[2.700]	71.12[2.800]	56	2-534998-8
	2	66.04[2.600]	68.58[2.700]	54	2-534998-7
	2	63.50[2.500]	66.04[2.600]	52	2-534998-6
	2	60.96[2.400]	63.50[2.500]	50	2-534998-5
	2	58.42[2.300]	60.96[2.400]	48	2-534998-4
	2	55.88[2.200]	58.42[2.300]	46	2-534998-3
	2	53.34[2.100]	55.88[2.200]	44	2-534998-2
	2	50.80[2.000]	53.34[2.100]	42	2-534998-1
	2	48.26[1.900]	50.80[2.000]	40	2-534998-0
	2	45.72[1.800]	48.26[1.900]	38	1-534998-9
	2	43.18[1.700]	45.72[1.800]	36	1-534998-8
	2	40.64[1.600]	43.18[1.700]	34	1-534998-7
	2	38.10[1.500]	40.64[1.600]	32	1-534998-6
	2	35.56[1.400]	38.10[1.500]	30	1-534998-5
	2	33.02[1.300]	35.56[1.400]	28	1-534998-4
	2	30.48[1.200]	33.02[1.300]	26	1-534998-3
	2	27.94[1.100]	30.48[1.200]	24	1-534998-2
	2	25.40[1.000]	27.94[1.100]	22	1-534998-1
	2	22.86[.900]	25.40[1.000]	20	1-534998-0
	2	20.32[.800]	22.86[.900]	18	534998-9
	2	17.78[.700]	20.32[.800]	16	534998-8
	2	15.24[.600]	17.78[.700]	14	534998-7
	2	12.70[.500]	15.24[.600]	12	534998-6
	2	10.16[.400]	12.70[.500]	10	534998-5
	2	7.62[.300]	10.16[.400]	8	534998-4
	2	5.08[.200]	7.62[.300]	6	534998-3
	2	2.54[.100]	5.08[.200]	4	534998-2
	2	-	2.54[.100]	2	534998-1

- △ HOUSING: FLAME RETARDANT, GLASS FILLED, THERMOPLASTIC, COLOR: BLACK.
CONTACT: PHOSPHOR BRONZE
- △ CONTACT: DUPLEX PLATED 0.00076[0.00030] MIN GOLD IN CONTACT AREA, 0.00381-0.00762[0.00150 - 0.00300] BRIGHT TIN-LEAD ON LEADS, ALL OVER 0.00127[0.00050] NICKEL.
- △ THESE DIMENSIONS PERTAIN TO CAVITY CENTERLINES ONLY - NOT TO CONTACT LOCATIONS
- △ PART NUMBER AND DATE CODE ARE MARKED IN APPROXIMATE LOCATION SHOWN, EITHER SIDE.
- △ TOLERANCE IS NON-CUMULATIVE.
- △ 2 POSITION DATE CODE IS MARKED OPPOSITE SIDE OF TE CONNECTIVITY LOGO.
- △ POINT-OF-MEASUREMENT DIMENSION FOR PLATING THICKNESS (INSIDE CONTACT BEAM).
- △ POINT-OF-CONTACT DIMENSION.
- △ TE CONNECTIVITY TRADEMARK AND CSA LOGO ARE MOLDED INTO HOUSING, THIS LOCATION.
- △ NO PART NUMBER MARKING REQUIRED FOR THIS PART.
- △ CONTACT: DUPLEX PLATED 0.00076[0.00030] MIN GOLD IN CONTACT AREA, 0.00381-0.00762[0.00150 - 0.00300] MATTE TIN ON LEADS, ALL OVER 0.00127[0.00050] NICKEL
- △ ROHS 2002/95/EC COMPLIANT

THIS DRAWING IS A CONTROLLED DOCUMENT.

TE Connectivity

RECEPTACLE ASSEMBLY, MOD IV, DOUBLE ROW, DUAL ENTRY, .100X.100CL, VERTICAL MOUNT, AMPMODU

SCALE 5:1 SHEET 1 OF 2 REV S

REVISIONS				
P	LTN	DESCRIPTION	DATE	APVD
-		SEE SHEET 1	-	-

△	△	99.06[3.900]	101.60[4.000]	80	9-534998-0
△	△	96.52[3.800]	99.06[3.900]	78	8-534998-9
△	△	93.98[3.700]	96.52[3.800]	76	8-534998-8
△	△	91.44[3.600]	93.98[3.700]	74	8-534998-7
△	△	88.90[3.500]	91.44[3.600]	72	8-534998-6
△	△	86.36[3.400]	88.90[3.500]	70	8-534998-5
△	△	83.82[3.300]	86.36[3.400]	68	8-534998-4
△	△	81.28[3.200]	83.82[3.300]	66	8-534998-3
△	△	78.74[3.100]	81.28[3.200]	64	8-534998-2
△	△	76.20[3.000]	78.74[3.100]	62	8-534998-1
△	△	73.66[2.900]	76.20[3.000]	60	8-534998-0
△	△	71.12[2.800]	73.66[2.900]	58	7-534998-9
△	△	68.58[2.700]	71.12[2.800]	56	7-534998-8
△	△	66.04[2.600]	68.58[2.700]	54	7-534998-7
△	△	63.50[2.500]	66.04[2.600]	52	7-534998-6
△	△	60.96[2.400]	63.50[2.500]	50	7-534998-5
△	△	58.42[2.300]	60.96[2.400]	48	7-534998-4
△	△	55.88[2.200]	58.42[2.300]	46	7-534998-3
△	△	53.34[2.100]	55.88[2.200]	44	7-534998-2
△	△	50.80[2.000]	53.34[2.100]	42	7-534998-1
△	△	48.26[1.900]	50.80[2.000]	40	7-534998-0
△	△	45.72[1.800]	48.26[1.900]	38	6-534998-9
△	△	43.18[1.700]	45.72[1.800]	36	6-534998-8
△	△	40.64[1.600]	43.18[1.700]	34	6-534998-7
△	△	38.10[1.500]	40.64[1.600]	32	6-534998-6
△	△	35.56[1.400]	38.10[1.500]	30	6-534998-5
△	△	33.02[1.300]	35.56[1.400]	28	6-534998-4
△	△	30.48[1.200]	33.02[1.300]	26	6-534998-3
△	△	27.94[1.100]	30.48[1.200]	24	6-534998-2
△	△	25.40[1.000]	27.94[1.100]	22	6-534998-1
△	△	22.86[.900]	25.40[1.000]	20	6-534998-0
△	△	20.32[.800]	22.86[.900]	18	5-534998-9
△	△	17.78[.700]	20.32[.800]	16	5-534998-8
△	△	15.24[.600]	17.78[.700]	14	5-534998-7
△	△	12.70[.500]	15.24[.600]	12	5-534998-6
△	△	10.16[.400]	12.70[.500]	10	5-534998-5
△	△	7.62[.300]	10.16[.400]	8	5-534998-4
△	△	5.08[.200]	7.62[.300]	6	5-534998-3
△	△	2.54[.100]	5.08[.200]	4	5-534998-2
△	△	-	2.54[.100]	2	△ 5-534998-1
	FINISH	B	A	NO OF POSN	PART NUMBER

THIS DRAWING IS A CONTROLLED DOCUMENT.		OWN M. BINNER	06NOV02		TE Connectivity
DIMENSIONS: mm [INCHES]		CHK J. OLSON	06NOV02		
TOLERANCES UNLESS OTHERWISE SPECIFIED:		APVD J. OLSON	06NOV02	NAME RECEPTACLE ASSEMBLY, MOD IV, DOUBLE ROW, DUAL ENTRY, .100X.100CL, VERTICAL MOUNT, AMPMODU	
0 PLC ±.0131(.005)		PRODUCT SPEC		SIZE A 00779 C=534998	
1 PLC ±.0131(.005)		APPLICATION SPEC		RESTRICTED TO	
2 PLC ±.0131(.005)		114-25018		SCALE 5:1 SHEET 2 OF 2 REV S	
3 PLC ±.0131(.005)		WEIGHT			
4 PLC ±.0131(.005)		CUSTOMER DRAWING			
ANGLES FINISH					
SEE TABLE					