


PART NUMBER	CKTS	QUANTITY PER BAG	BAGS PER CARTON	PARTS PER CARTON (SPQ)	MOISTURIZATION METHOD 	PANEL LOCK
215922-02*1	2	3000	4	12000	NO MOISTURIZATION	WITHOUT
215922-04*1	4	2600	4	10400		
215922-06*1	6	2000	4	8000		
215922-08*1	8	1700	4	6800		
215922-10*1	10	1400	4	5600		
215922-12*1	12	1000	4	4000		
215922-1401	14	800	4	3200		
215922-1601	16	800	4	3200		
215922-1801	18	600	4	2400		
215922-2001	20	600	4	2400		
215922-2201	22	600	4	2400		
215922-2401	24	450	4	1800		
215922-02*0	2	2000	4	8000	SEE SHEET 2	WITH
215922-04*0	4	1800	4	7200		
215922-06*0	6	1600	4	6400		
215922-08*0	8	1100	4	4400		
215922-10*0	10	1000	4	4000		
215922-12*0	12	900	4	3600		
215922-1400	14	800	4	3200		
215922-1600	16	700	4	2800		
215922-1800	18	600	4	2400		
215922-2000	20	600	4	2400		
215922-2200	22	400	4	1600		
215922-2400	24	350	4	1400		

TBD: NO PRODUCTION, TO BE ADDED AFTER BEING PRODUCED.

LEGEND

206461 - X X X X

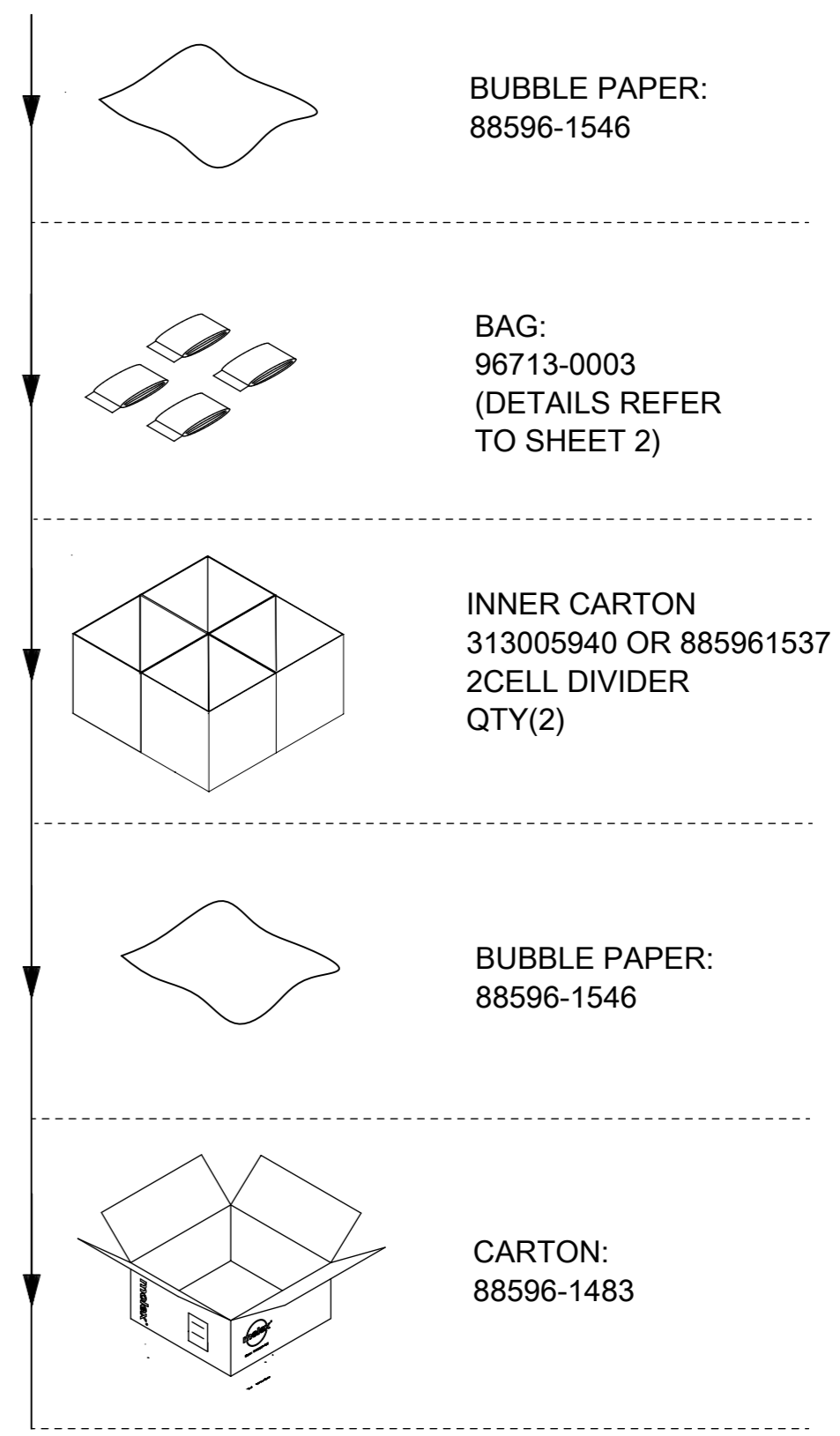
- 0 - PANEL MOUNT
- 1 - FREE HANGING

- POLARIZATION / COLOR
- 0- BLACK
- 1 - NATURAL
- 2 - RED
- 3 - BLUE
- 4- YELLOW

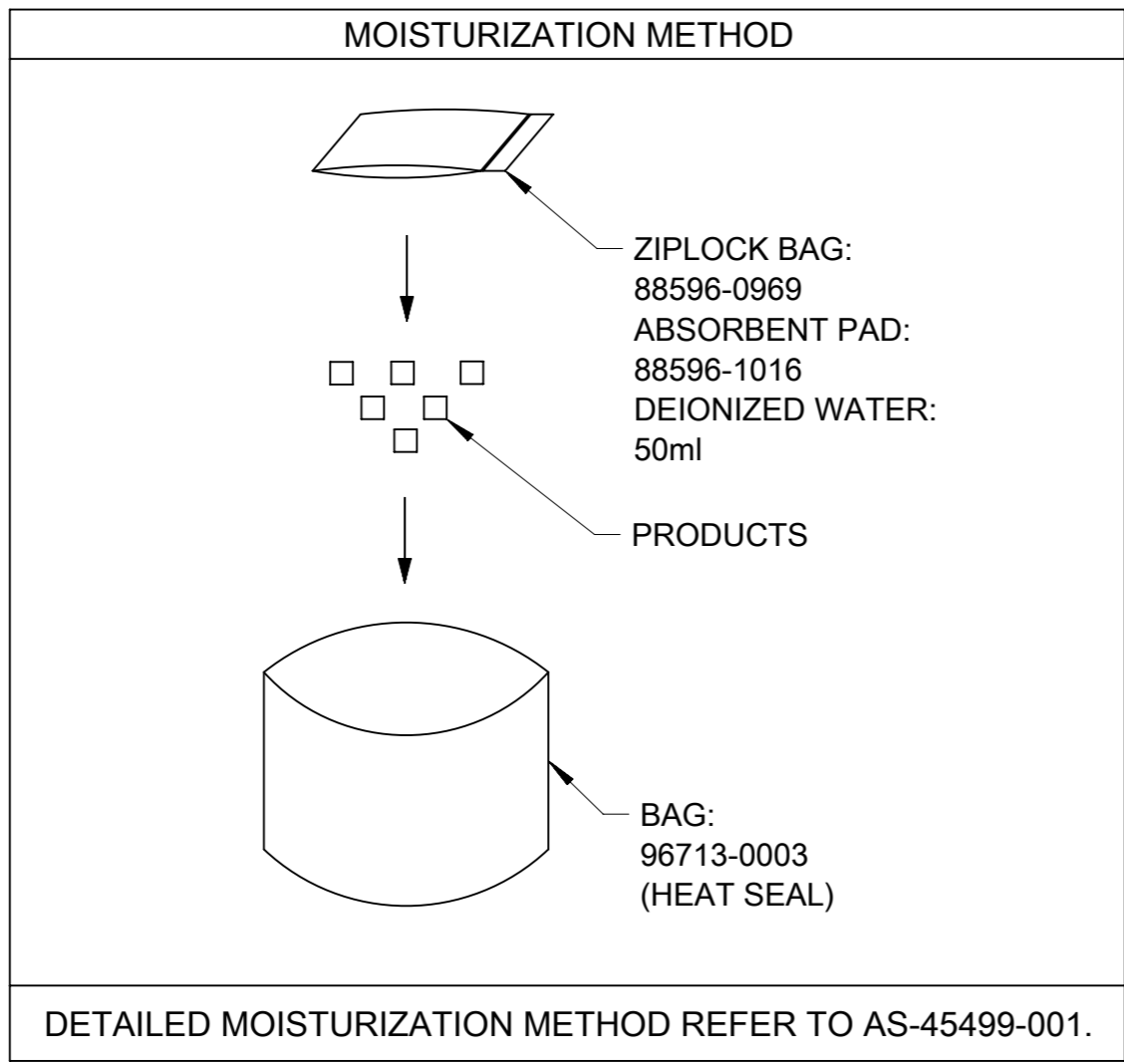
CKT SIZE 02-24

NOTES:

1. MOISTURIZATION METHOD DESCRIPTIONS REFER TO SHEET 2.
2. STANDARD PACKAGE QUANTITY (SPQ) SEE ABOVE CHART.
3. PACKAGE WAY FOLLOW RIGHT ILLUSTRATION.
4. ALL PACKAGE MATERIAL AND PRODUCT COMPLIANT TO RoHS DIRECTIVE 2011/65/EU AND ELV DIRECTIVE 2000/53/EC.

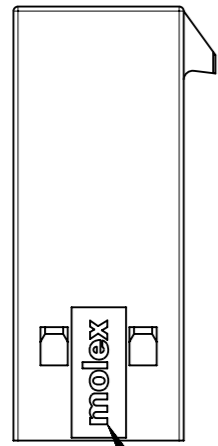


FUNCTIONAL SYMBOLS	THIS DRAWING CONTAINS INFORMATION THAT IS PROPRIETARY TO MOLEX ELECTRONIC TECHNOLOGIES, LLC AND SHOULD NOT BE USED WITHOUT WRITTEN PERMISSION		CURRENT REV DESC:		<b>molex</b>	
	mm	1:1	EC NO: 736922			
DIVISIONAL SYMBOLS	GENERAL TOLERANCES (UNLESS SPECIFIED)		DRWN: VENKAS5		2023/01/18	
	ANGULAR TOL ±		CHK'D: VENKAS5		2023/02/03	
4 PLACES ±		APPR: MRAMAKRISHNA		2023/02/03		
3 PLACES ± 0.1		INITIAL REVISION:		DOCUMENT NUMBER		
2 PLACES ± 0.3		DRWN: GLLI		2159220000-PK		
1 PLACE ± 0.5		APPR: XQZHANG		PSD 000 C		
0 PLACES ±		DRAFT WHERE APPLICABLE MUST REMAIN WITHIN DIMENSIONS		SHEET NUMBER		
THIRD ANGLE PROJECTION		DRAWING		CUSTOMER		
A3-SIZE		SERIES		1 OF 2		
215922		MATERIAL NUMBER		CUSTOMER		

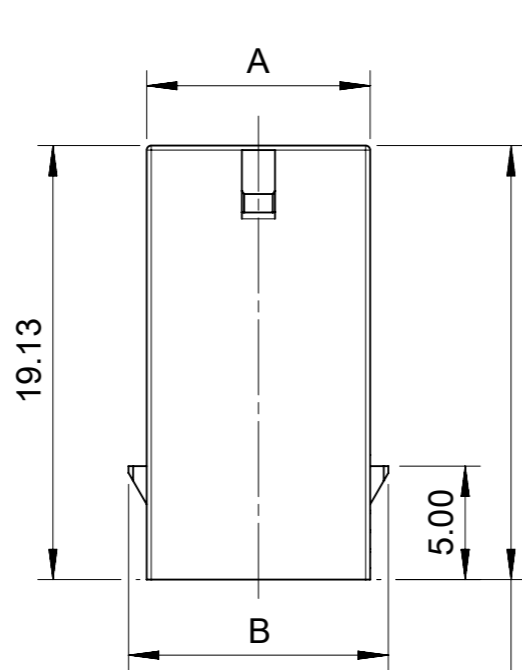


<b>FUNCTIONAL SYMBOLS</b>	THIS DRAWING CONTAINS INFORMATION THAT IS PROPRIETARY TO MOLEX ELECTRONIC TECHNOLOGIES, LLC AND SHOULD NOT BE USED WITHOUT WRITTEN PERMISSION		
$\nabla_A = 0$	DIMENSION UNITS	SCALE	CURRENT REV DESC:  EC NO: 736922 DRWN: VENKAS5 2023/01/18 CHK'D: VENKAS5 2023/02/03 APPR: MRAMAKRISHNA 2023/02/03 INITIAL REVISION: DRWN: GLLI 2021/10/28 APPR: XQZHANG 2021/11/15
$\nabla_F = 0$	mm	1:1	
$\nabla_P = 0$	GENERAL TOLERANCES (UNLESS SPECIFIED)		
	ANGULAR TOL	± °	
<b>DIVISIONAL SYMBOLS</b>	4 PLACES	±	
	3 PLACES	± 0.1	
	2 PLACES	± 0.3	
	1 PLACE	± 0.5	
	0 PLACES	±	
	DRAFT WHERE APPLICABLE MUST REMAIN WITHIN DIMENSIONS	THIRD ANGLE PROJECTION	DRAWING
	A3-SIZE	SERIES	MATERIAL NUMBER
		215922	CUSTOMER
			DOCUMENT NUMBER
			2159220000-PK
			DOC TYPE
			PSD
			DOC PART
			000
			REVISION
			C
			SHEET NUMBER
			2 OF 2

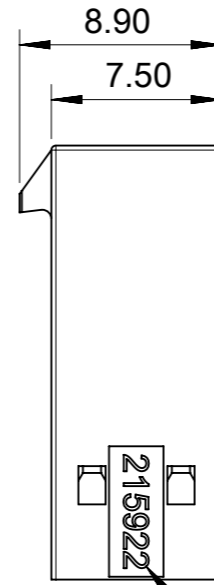
# FREE HANGING PLUG PARTS



MOLEX LOGO

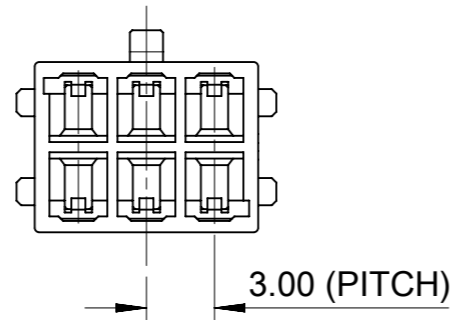
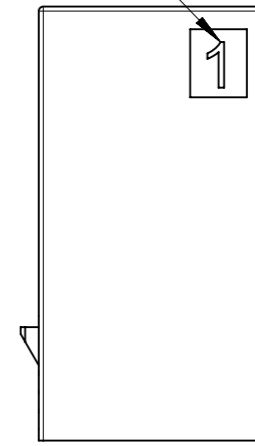


19.13 ±0.30  
ONLY FOR  
LOW HALOGEN



MOLEX SERIES NUMBER

FIRST CIRCUIT INDICATOR



3.00 (PITCH)

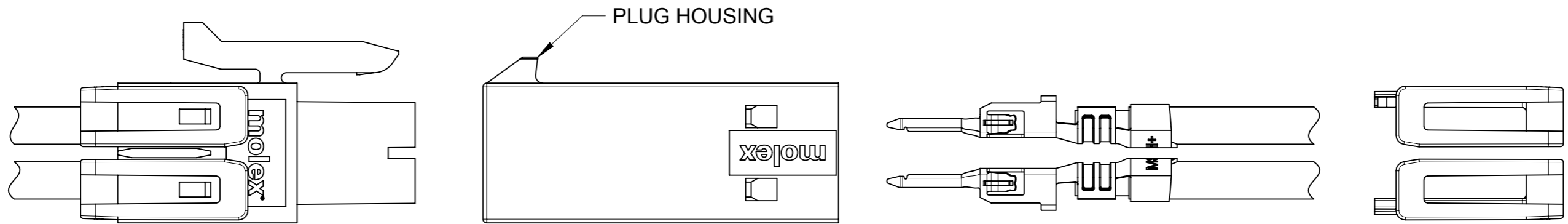
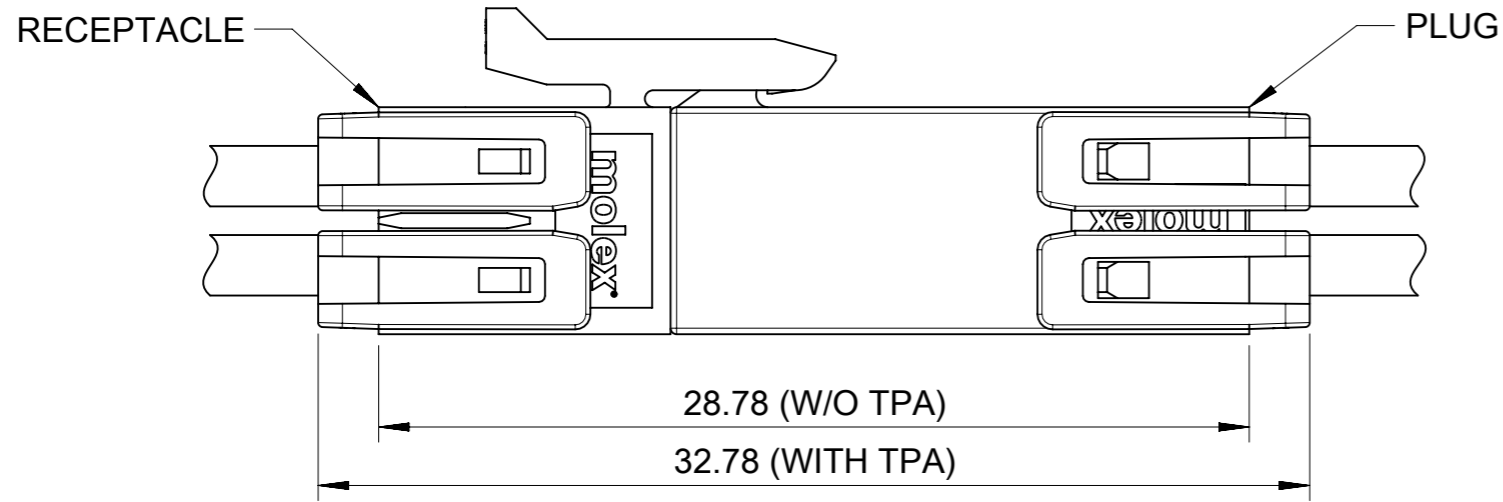
**NOTES:**

- MATERIAL: PA66, 94V-0,  
COLOR : SEE TABLE IN SHEET5  
LOW HALOGEN : SEE TABLE IN SHEET5  
GLOW WIRE : SEE TABLE IN SHEET5
- PRODUCT SPECIFICATION: 2159530000-PS.
- PACKAGE SPECIFICATION: 2159220000-PK.
- TO USE WITH TERMINAL OF 215953\*\*\*\*.
- TO USE WITH TPA OF 206462\*\*\*\*.
- TO MATE WITH RECEPTACLE OF 206461\*\*\*\*.
- PARTS CONFORM TO CLASS 'B' REQUIREMENTS OF COSMETIC SPECIFICATION PS-45499-002.

DIM'A'	DIM'B'	CKT SIZE
3.85	5.45	2
6.85	8.45	4
9.85	11.45	6
12.85	14.45	8
15.85	17.45	10
18.85	20.45	12
21.85	23.45	14
24.85	26.45	16
27.85	29.45	18
30.85	32.45	20
33.85	35.45	22
36.85	38.45	24

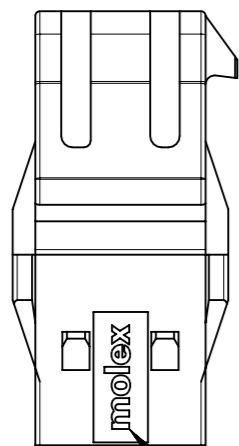
THIS DRAWING CONTAINS INFORMATION THAT IS PROPRIETARY TO MOLEX ELECTRONIC TECHNOLOGIES, LLC AND SHOULD NOT BE USED WITHOUT WRITTEN PERMISSION									
DIMENSION UNITS	SCALE	CURRENT REV DESC:							
mm	NTS								
GENERAL TOLERANCES (UNLESS SPECIFIED)									
ANGULAR TOL	± °	EC NO: 802117 DRWN: GLLI 2024/02/19 CHK'D: XQZHANG 2024/11/13 APPR: XQZHANG 2024/11/13							
4 PLACES	±	INITIAL REVISION: DRWN: GLLI 2021/01/29 APPR: XQZHANG 2021/11/15							
3 PLACES	±	DOCUMENT NUMBER: 2159220000-SD DOC TYPE: PSD DOC PART: 000 REVISION: B1							
2 PLACES	± 0.2	MATERIAL NUMBER: SEE TABLE CUSTOMER: GENERAL MARKET							
1 PLACE	± 0.3	SHEET NUMBER: 1 OF 6							
0 PLACES	±	DRAFT WHERE APPLICABLE MUST REMAIN WITHIN DIMENSIONS							
THIRD ANGLE PROJECTION		DRAWING		SERIES		MATERIAL NUMBER		CUSTOMER	
		A3-SIZE		215922		SEE TABLE		GENERAL MARKET	

# FREE HANGING PLUG PARTS

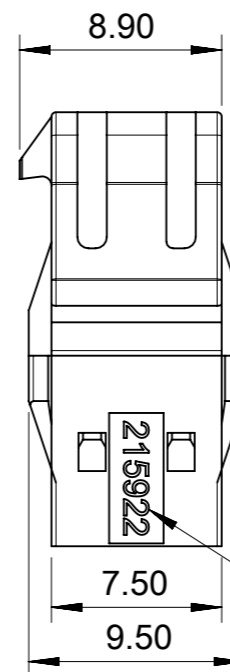
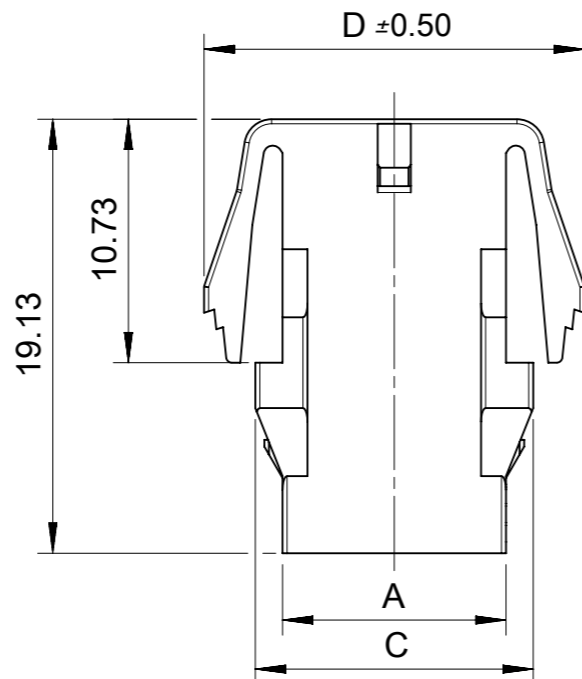


THIS DRAWING CONTAINS INFORMATION THAT IS PROPRIETARY TO MOLEX ELECTRONIC TECHNOLOGIES, LLC AND SHOULD NOT BE USED WITHOUT WRITTEN PERMISSION										
DIMENSION UNITS	SCALE	CURRENT REV DESC:					<b>molex</b>			
mm	NTS									
GENERAL TOLERANCES (UNLESS SPECIFIED)							PLUG HOUSING OF MICRO-FIT PLUS WTW DR POWER CONNECTOR			
ANGULAR TOL ± °							PRODUCT CUSTOMER DRAWING			
4 PLACES	±	EC NO: 802117					DOCUMENT NUMBER			
3 PLACES	±	DRWN: GLLI 2024/02/19					2159220000-SD			
2 PLACES	± 0.2	CHK'D: XQZHANG 2024/11/13					DOC TYPE			
1 PLACE	± 0.3	APPR: XQZHANG 2024/11/13					PSD			
0 PLACES	±	INITIAL REVISION:					DOC PART			
DRAFT WHERE APPLICABLE MUST REMAIN WITHIN DIMENSIONS		THIRD ANGLE PROJECTION		DRAWING	SERIES	MATERIAL NUMBER	CUSTOMER	REVISION		
				A3-SIZE	215922	SEE TABLE	GENERAL MARKET	B1		
								SHEET NUMBER		
								2 OF 6		

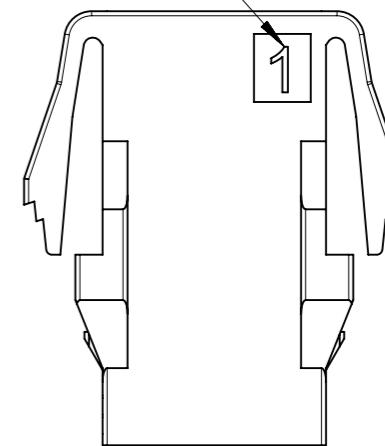
# PANEL MOUNT PLUG PARTS



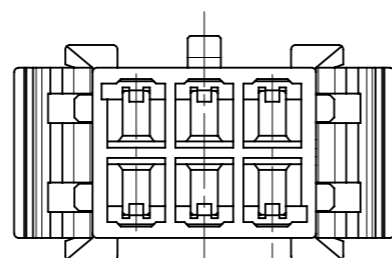
MOLEX LOGO



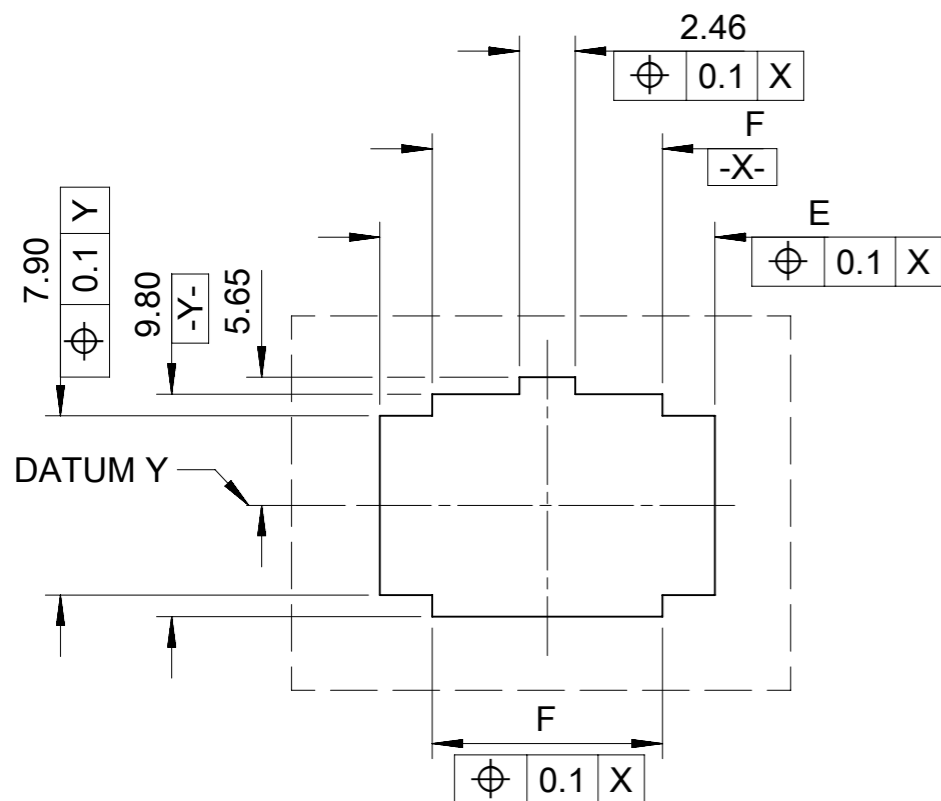
FIRST CIRCUIT INDICATOR



MOLEX SERIES NUMBER



3.00 (PITCH)

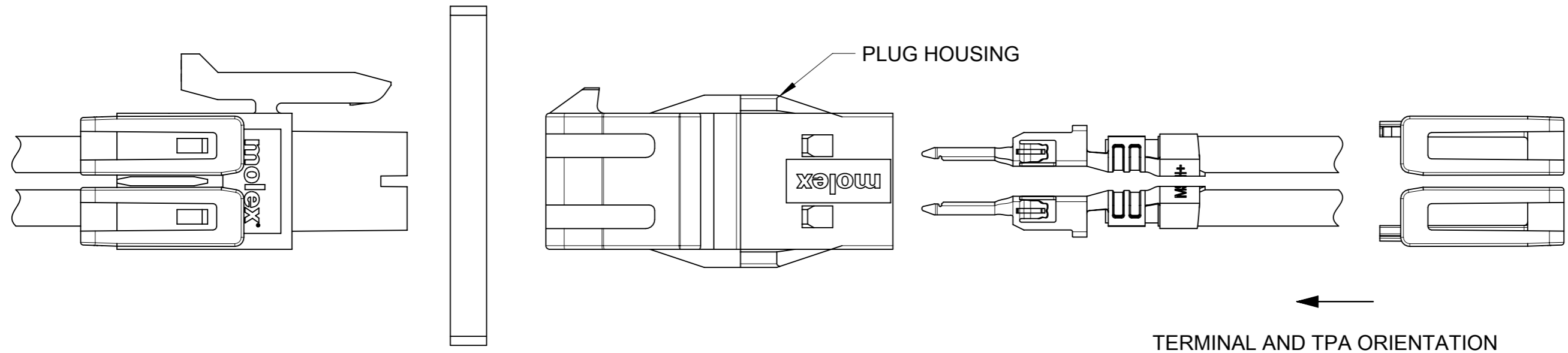
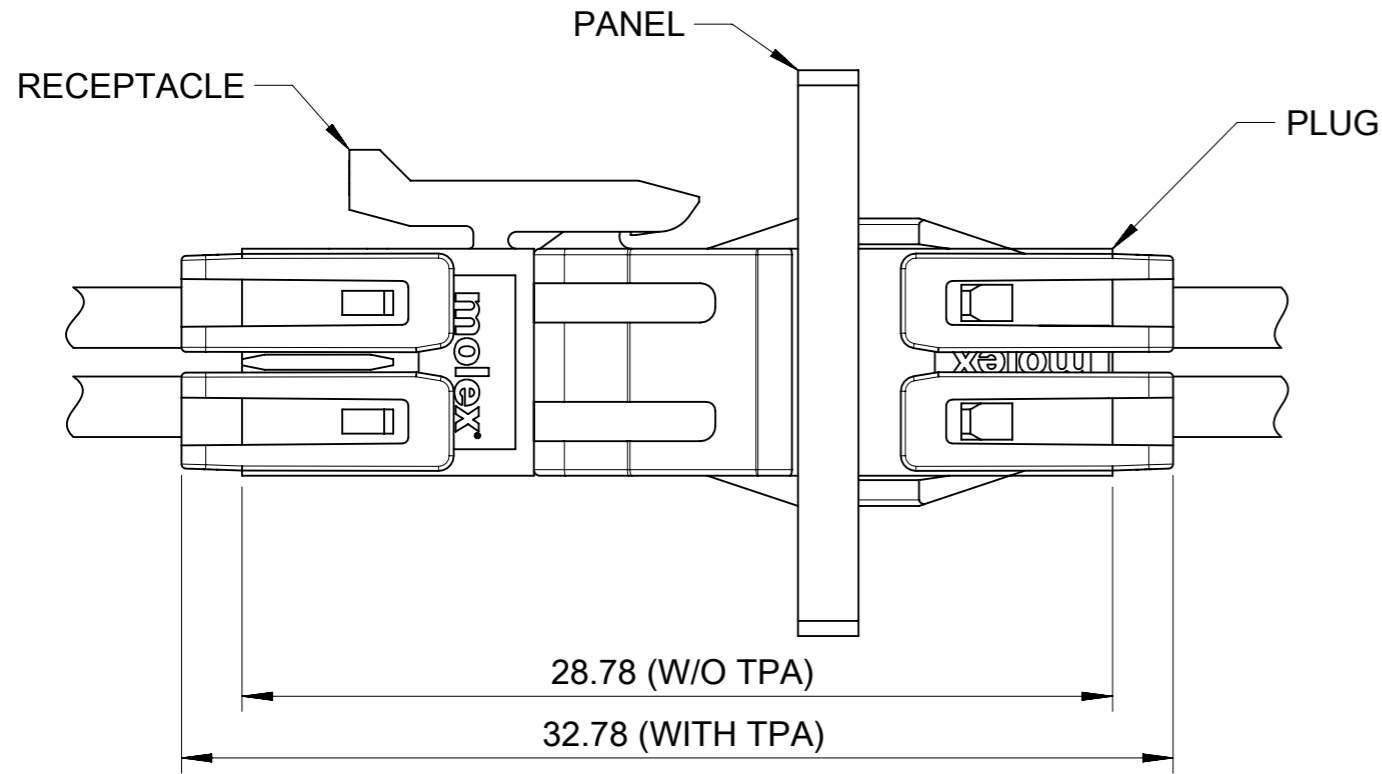


RECOMMENDED PANEL CUT OUT  
(TOLERANCE +/-0.05 THICKNESS=1.2~2.2MM)

DIM 'A'	DIM 'C'	DIM 'D'	DIM 'E'	DIM 'F'	CKT SIZE
3.85	6.25	10.77	8.77	4.15	2
6.85	9.25	13.77	11.77	7.15	4
9.85	12.25	16.77	14.77	10.15	6
12.85	15.25	19.77	17.77	13.15	8
15.85	18.25	22.77	20.77	16.15	10
18.85	21.25	25.77	23.77	19.15	12
21.85	24.25	28.77	26.77	22.15	14
24.85	27.25	31.77	29.77	25.15	16
27.85	30.25	34.77	32.77	28.15	18
30.85	33.25	37.77	35.77	31.15	20
33.85	36.25	40.77	38.77	34.15	22
36.85	39.25	43.77	41.77	37.15	24

THIS DRAWING CONTAINS INFORMATION THAT IS PROPRIETARY TO MOLEX ELECTRONIC TECHNOLOGIES, LLC AND SHOULD NOT BE USED WITHOUT WRITTEN PERMISSION											
DIMENSION UNITS		SCALE		CURRENT REV DESC:							
mm		NTS		<p style="text-align: center;"><b>molex</b></p> <p style="text-align: center;">PLUG HOUSING OF MICRO-FIT PLUS WTW DR POWER CONNECTOR</p> <p style="text-align: center;">PRODUCT CUSTOMER DRAWING</p>							
GENERAL TOLERANCES (UNLESS SPECIFIED)											
ANGULAR TOL ± °											
4 PLACES ±		EC NO: 802117									
3 PLACES ±		DRWN: GLLI 2024/11/13									
2 PLACES ± 0.2		CHK'D: XQZHANG 2024/11/13									
1 PLACE ± 0.3		APPR: XQZHANG 2024/11/13		INITIAL REVISION:				DOCUMENT NUMBER		DOC TYPE DOC PART REVISION	
0 PLACES ±		DRWN: GLLI 2021/01/29		2021/11/15				2159220000-SD		PSD 000 B1	
DRAFT WHERE APPLICABLE MUST REMAIN WITHIN DIMENSIONS		THIRD ANGLE PROJECTION		DRAWING		SERIES		MATERIAL NUMBER		CUSTOMER	
		A3-SIZE		215922		SEE TABLE		GENERAL MARKET		SHEET NUMBER 3 OF 6	

# PANEL MOUNT PLUG PARTS



←  
TERMINAL AND TPA ORIENTATION

THIS DRAWING CONTAINS INFORMATION THAT IS PROPRIETARY TO MOLEX ELECTRONIC TECHNOLOGIES, LLC AND SHOULD NOT BE USED WITHOUT WRITTEN PERMISSION												
DIMENSION UNITS		SCALE		CURRENT REV DESC:				<b>molex</b>				
mm		NTS										
GENERAL TOLERANCES (UNLESS SPECIFIED)				EC NO: 802117 DRWN: GLLI 2024/02/19 CHK'D: XQZHANG 2024/11/13 APPR: XQZHANG 2024/11/13 INITIAL REVISION: DRWN: GLLI 2021/01/29 APPR: XQZHANG 2021/11/15				PLUG HOUSING OF MICRO-FIT PLUS WTW DR POWER CONNECTOR				
ANGULAR TOL ± °								PRODUCT CUSTOMER DRAWING				
4 PLACES ±								DOCUMENT NUMBER		DOC TYPE	DOC PART	REVISION
3 PLACES ±								2159220000-SD		PSD	000	B1
2 PLACES ± 0.2								MATERIAL NUMBER		CUSTOMER		SHEET NUMBER
1 PLACE ± 0.3				SEE TABLE		GENERAL MARKET		4 OF 6				
0 PLACES ±												
DRAFT WHERE APPLICABLE MUST REMAIN WITHIN DIMENSIONS				THIRD ANGLE PROJECTION		DRAWING	SERIES					
						A3-SIZE	215922					

10		9		8		7		6		5		4		3		2		1	
FREE HANGING						PANEL MOUNT													
PART NUMBER	CKT	POLARIZATION	COLOR	LOW HALOGEN	GLOW WIRE	PART NUMBER	CKT	POLARIZATION	COLOR	LOW HALOGEN	GLOW WIRE								
F	215922-0201	2	A	BLACK	NO	YES	215922-0200	2	A	BLACK	NO	YES							
	215922-0211		B	NATURAL			2159220210		B	NATURAL									
	215922-0221		C	RED			2159220220		C	RED									
	215922-0231		D	BLUE			2159220230		D	BLUE									
	215922-0241		E	YELLOW			2159220240		E	YELLOW									
E	215922-0401	4	A	BLACK	NO	YES	215922-0400	4	A	BLACK	NO	YES							
			215922-0411	B			NATURAL		2159220410	B			NATURAL						
			215922-0421	C			RED		2159220420	C			RED						
			215922-0431	D			BLUE		2159220430	D			BLUE						
			215922-0441	E			YELLOW		2159220440	E			YELLOW						
	215922-0451	A	BLACK	YES	NO	215922-0600	6	A	BLACK	NO	YES								
	215922-0601	A	BLACK	NO	YES	2159220610		B	NATURAL										
	215922-0611	B	NATURAL			2159220620		C	RED										
	215922-0621	C	RED			2159220630		D	BLUE										
	215922-0631	D	BLUE			2159220640		E	YELLOW										
	215922-0641	E	YELLOW			215922-0800	8	A	BLACK	NO	YES								
D	215922-0801	A	BLACK	2159220810	B	NATURAL													
	215922-0811	B	NATURAL	2159220820	C	RED													
	215922-0821	C	RED	2159220830	D	BLUE													
	215922-0831	D	BLUE	2159220840	E	YELLOW													
	215922-0841	E	YELLOW	215922-1000	10	A	BLACK	NO	YES										
	215922-1001	A	BLACK	2159221010		B	NATURAL												
	215922-1011	B	NATURAL	2159221020		C	RED												
	215922-1021	C	RED	2159221030		D	BLUE												
	215922-1031	D	BLUE	2159221040		E	YELLOW												
C	215922-1041	E	YELLOW	215922-1200	12	A	BLACK	NO	YES										
	215922-1201	A	BLACK	2159221210		B	NATURAL												
	215922-1211	B	NATURAL	2159221220		C	RED												
	215922-1221	C	RED	2159221230		D	BLUE												
	215922-1231	D	BLUE	2159221240		E	YELLOW												
	215922-1241	E	YELLOW	215922-1400	14	A	BLACK	NO	YES										
	215922-1401	14	A	BLACK	NO	YES	215922-1600	16	A	BLACK	NO	YES							
	215922-1601	16	A	BLACK	NO	YES	215922-1800	18	A	BLACK	NO	YES							
B	215922-1801	18	A	BLACK	NO	YES	215922-2000	20	A	BLACK	NO	YES							
	215922-2001	20	A	BLACK	NO	YES	215922-2200	22	A	BLACK	NO	YES							
	215922-2201	22	A	BLACK	NO	YES	215922-2400	24	A	BLACK	NO	YES							
	215922-2401	24	A	BLACK	NO	YES													

THIS DRAWING CONTAINS INFORMATION THAT IS PROPRIETARY TO MOLEX ELECTRONIC TECHNOLOGIES, LLC AND SHOULD NOT BE USED WITHOUT WRITTEN PERMISSION											
DIMENSION UNITS		SCALE		CURRENT REV DESC:							
mm		NTS		<p style="text-align: center;"><b>molex</b></p> <p style="text-align: center;">PLUG HOUSING OF MICRO-FIT PLUS WTW DR POWER CONNECTOR</p> <p style="text-align: center;">PRODUCT CUSTOMER DRAWING</p>							
GENERAL TOLERANCES (UNLESS SPECIFIED)											
ANGULAR TOL ± °											
4 PLACES ±		EC NO: 802117									
3 PLACES ±		DRWN: GLLI 2024/02/19									
2 PLACES ± 0.2		CHK'D: XQZHANG 2024/11/13									
1 PLACE ± 0.3		APPR: XQZHANG 2024/11/13									
0 PLACES ±		INITIAL REVISION:									
DRAFT WHERE APPLICABLE MUST REMAIN WITHIN DIMENSIONS		THIRD ANGLE PROJECTION		DRAWING		SERIES		MATERIAL NUMBER		CUSTOMER	
				A3-SIZE		215922		2021/01/29 2021/11/15		2159220000-SD	
DOCUMENT STATUS		P1		RELEASE DATE		2024/11/13 05:00:52		DOC TYPE		PSD	
								DOC PART		000	
								REVISION		B1	
								SHEET NUMBER		5 OF 6	

CKT	POLARIZATION "A" - BLACK	POLARIZATION "B" - NATURAL	POLARIZATION "C" - RED	POLARIZATION "D" - BLUE	POLARIZATION "E" - YELLOW
2					
4					
6					
8					
10					
12					

CKT	POLARIZATION "A" - BLACK
14	
16	
18	
20	
22	
24	

THIS DRAWING CONTAINS INFORMATION THAT IS PROPRIETARY TO MOLEX ELECTRONIC TECHNOLOGIES, LLC AND SHOULD NOT BE USED WITHOUT WRITTEN PERMISSION

DIMENSION UNITS	SCALE	CURRENT REV DESC:					
mm	NTS						
GENERAL TOLERANCES (UNLESS SPECIFIED)				PLUG HOUSING OF MICRO-FIT PLUS WTW DR POWER CONNECTOR			
ANGULAR TOL	±	°		PRODUCT CUSTOMER DRAWING			
4 PLACES	±			DOCUMENT NUMBER			
3 PLACES	±			2159220000-SD			
2 PLACES	±	0.2		DOC TYPE			
1 PLACE	±	0.3		PSD			
0 PLACES	±			DOC PART			
DRAFT WHERE APPLICABLE MUST REMAIN WITHIN DIMENSIONS				REVISION			
THIRD ANGLE PROJECTION				000			
DRAWING				SERIES			
A2-SIZE				215922			
MATERIAL NUMBER				CUSTOMER			
SEE TABLE				GENERAL MARKET			
SHEET NUMBER				6 OF 6			