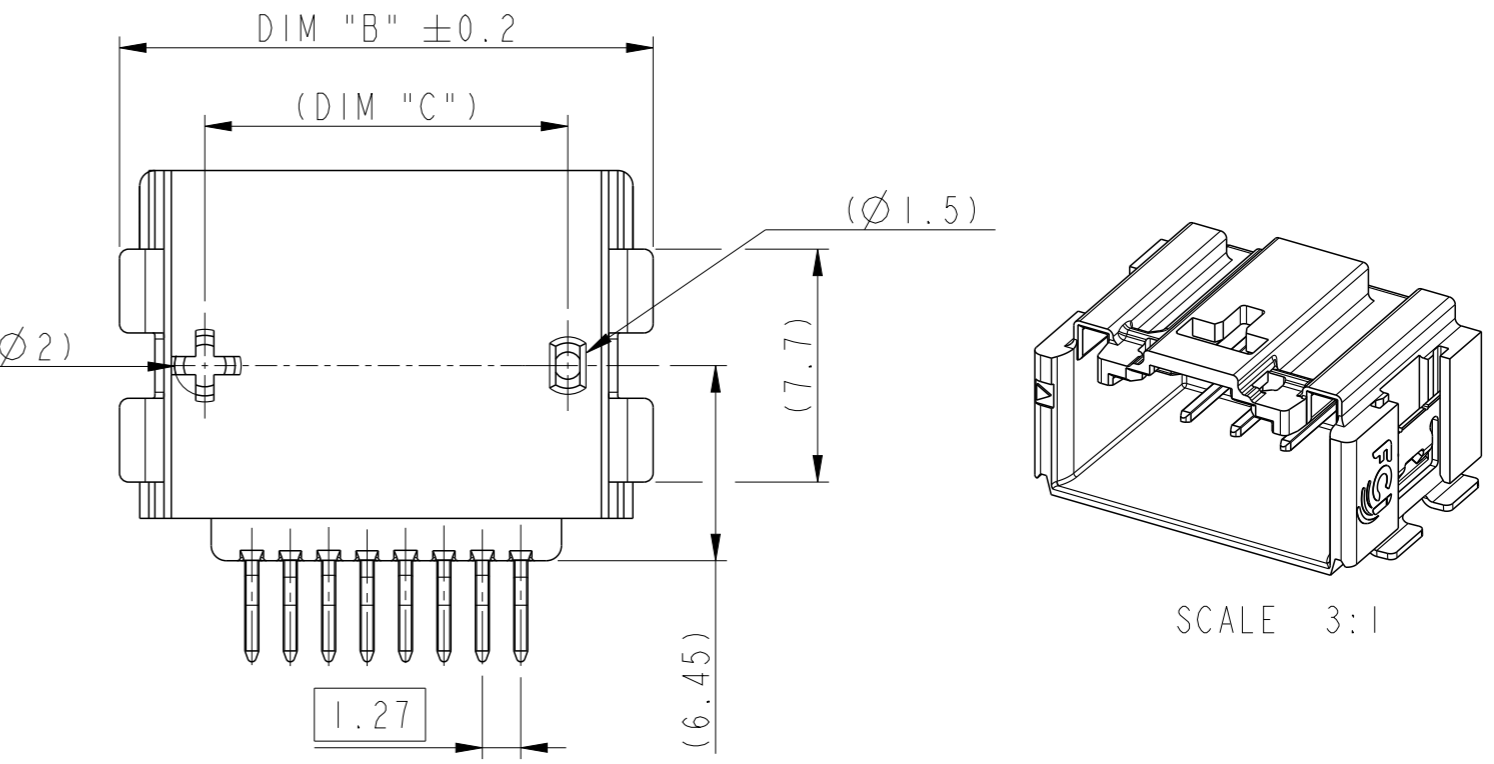
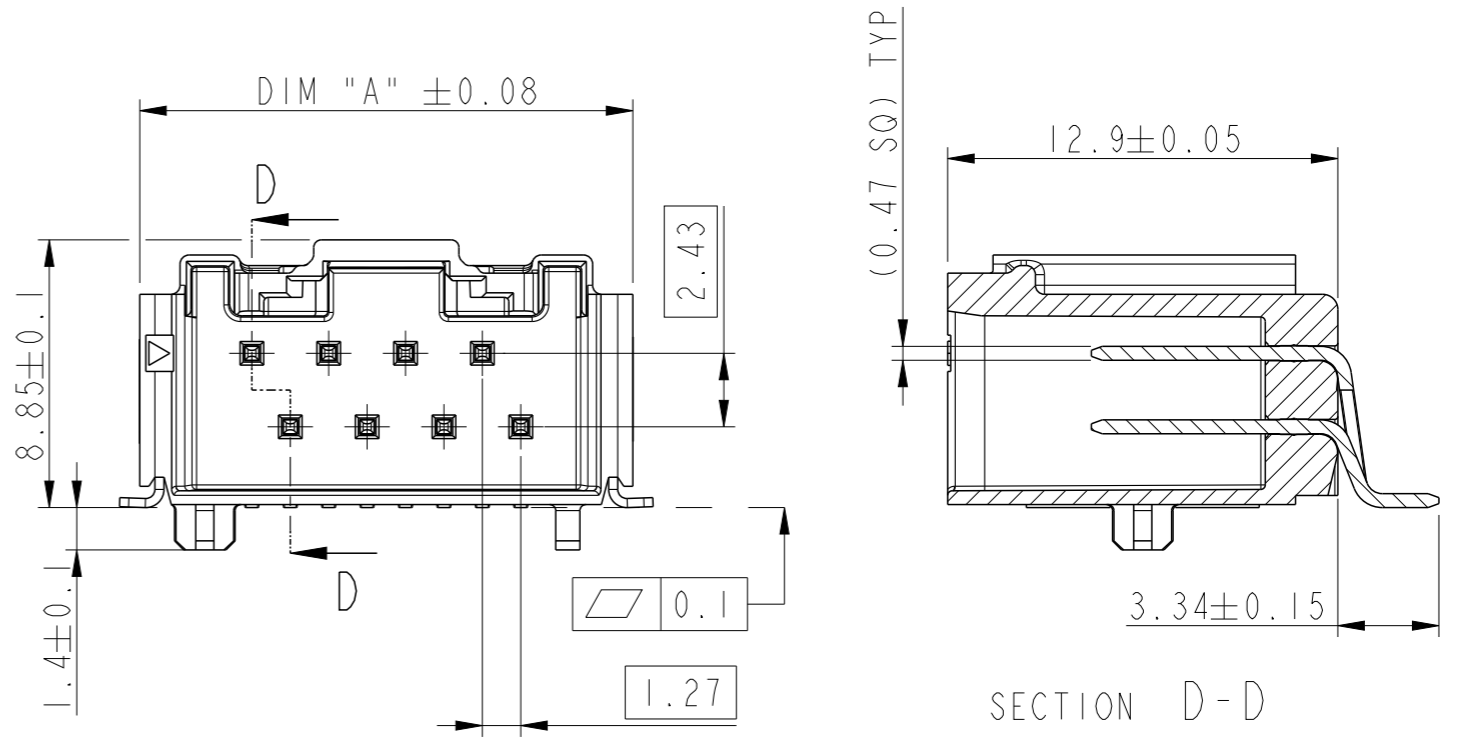


PRODUCT DESCRIPTION CODE:
10142344-1XXK LF

- RoHS COMPATIBLE, SEE NOTE 3
- CUSTOMER CODE :
BLANK = GENERAL USE
V = CUSTOMER DEDICATED PART
M = CUSTOMER DEDICATED PART
- PACKAGING :
K = TAPE & REEL
- NUMBER OF POSITIONS : 04 TO 16
- PLATING :
1 = 3µm MIN MATTE TIN (PREPLATED)
2 = 3µm MIN MATTE TIN (POST-PLATED)
3 = 0.76µM MIN GOLD (CONTACT AREA)
ALL OVER NICKEL UNDERLAYER

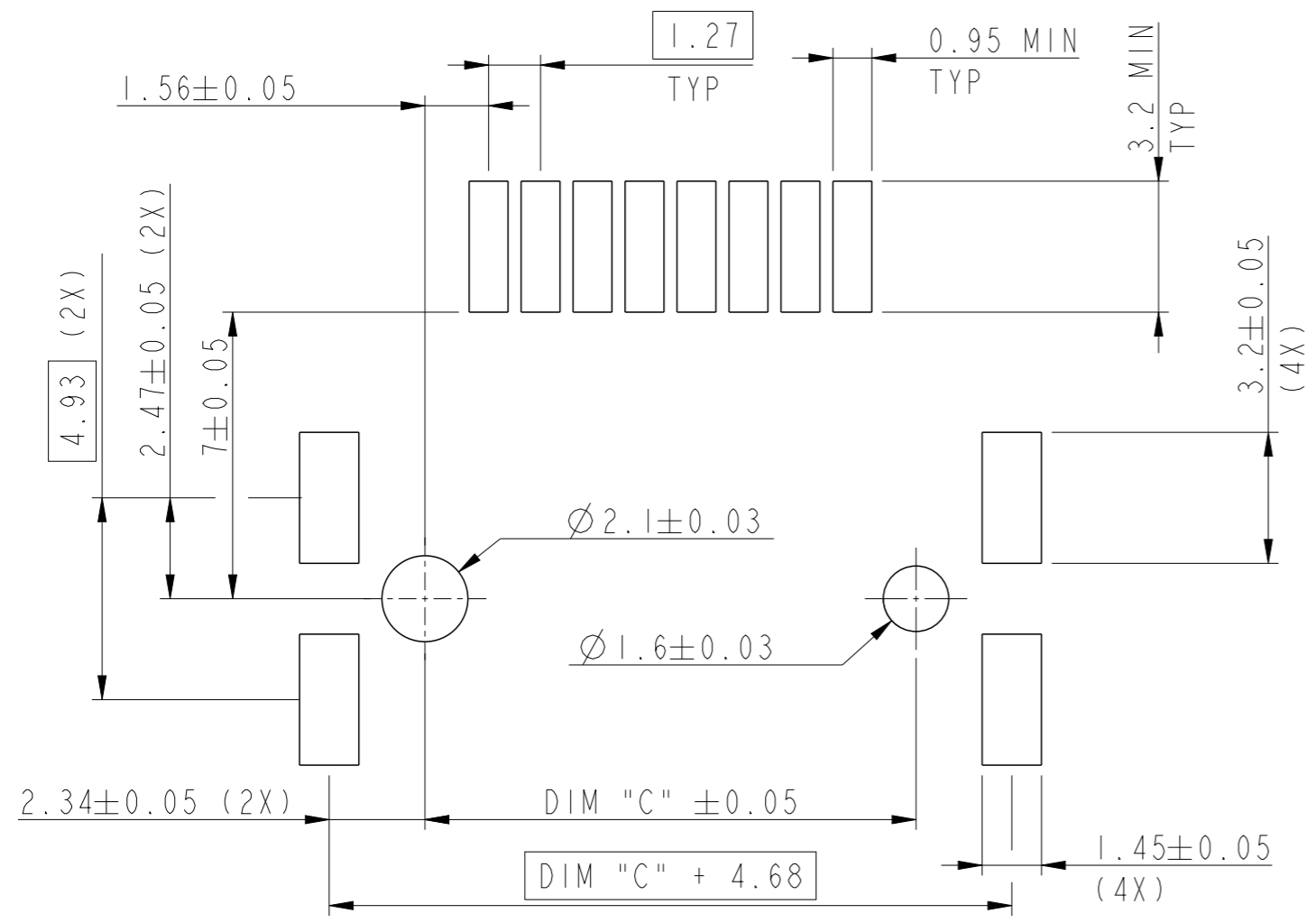


NOTES:

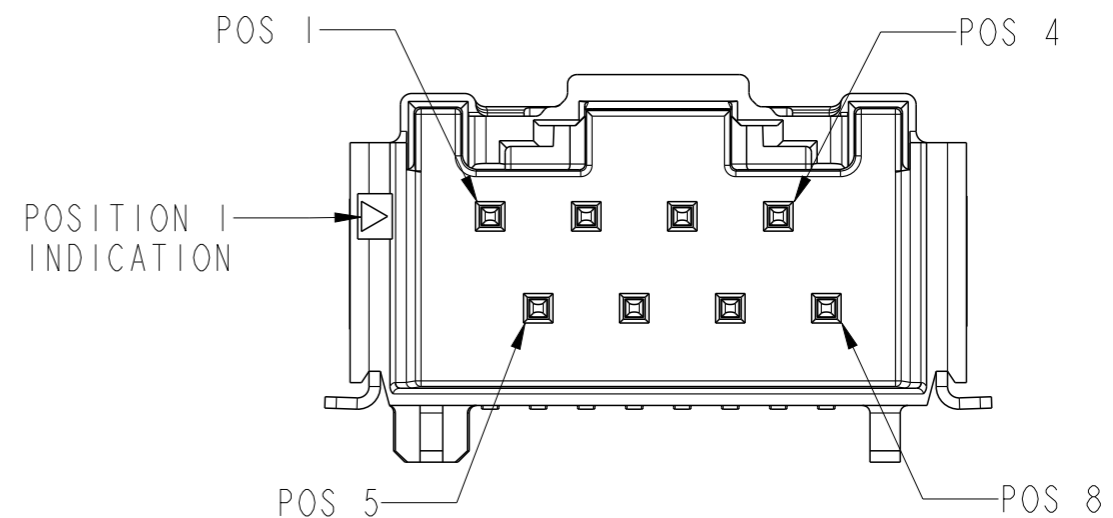
- 1 - MATERIAL:
HOUSING : HIGH TEMPERATURE THERMOPLASTIC
COLOR BLACK UL94 V-0
PIN : HIGH CURRENT COPPER ALLOY
- 2 - TO BE MATED WITH MINITEK µSPACE RECEPTACLE SERIES 10142348
- 3 - RoHS COMPATIBLE PRODUCT SPECIFICATIONS
 - a - PLATING:
"LF" MEANS THE PRODUCT IS LEAD FREE,
3µm MINIMUM MATTE TIN OVER 1.27µm MINIMUM NICKEL UNDERPLATE.
 - b - MANUFACTURING PROCESS COMPATIBILITY:
THE HOUSING WILL WITHSTAND EXPOSURE TO 260°C PEAK TEMPERATURE FOR 30 SECONDS MAX IN A CONVECTION, INFRA-RED OR VAPOR PHASE OR REFLOW OVEN.
 - c - LABELLING :
MEETS PACKAGING SPECS AS PER GS-14-920
 - d - LEGAL STATEMENT :
SEE GS-47-0004.

spec ref	GS-12-1422	dr	Ramu P	2018/07/10	projection	mm	size	A3	scale	4:1
tolerance std	ISO 406 ISO 1101	eng	Moisan, Gwenda	2026/02/04			ecn no	ELX-F-59330-1		
TOLERANCES UNLESS OTHERWISE SPECIFIED		chr	-	-			rel level	Released		
surface	linear	0.X	±0.3	Amphenol FCI HEADER ASSEMBLY MINITEK µSPACE STAGGERED TOP LATCH cat. no. -	product family -	dwg no 10142344	rev E			
		0.XX	±0.10					Product - Customer Drw		
	angular	0°	±2°					sheet 1 of 2		

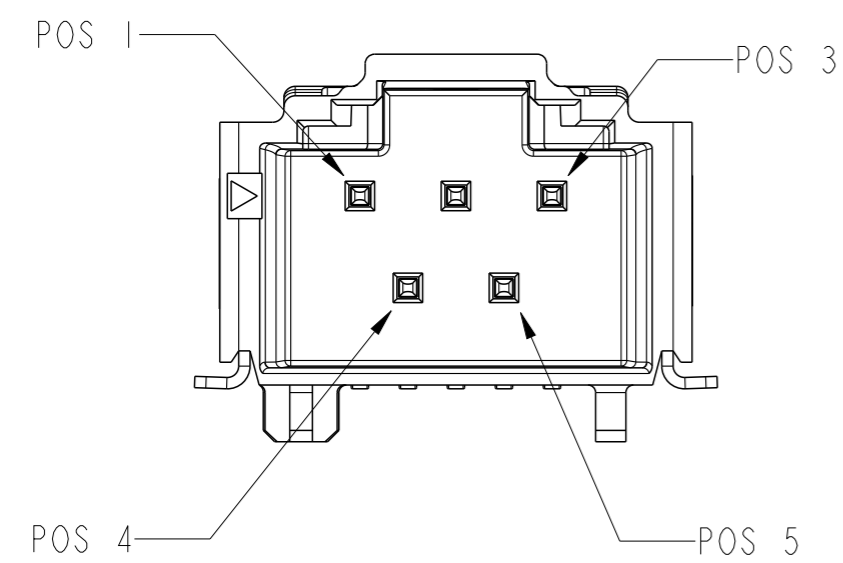
PART NO.	NO. OF POSN	DIM "A"	DIM "B"	DIM "C"
10142344-104KLF	04	11.22	12.55	6.92
10142344-105KLF	05	12.49	13.82	8.19
10142344-106KLF	06	13.76	15.09	9.46
10142344-107KLF	07	15.03	16.36	10.73
10142344-108KLF	08	16.30	17.63	12.00
10142344-109KLF	09	17.57	18.9	13.27
10142344-110KLF	10	18.84	20.17	14.54
10142344-111KLF	11	20.11	21.44	15.81
10142344-112KLF	12	21.38	22.71	17.08
10142344-113KLF	13	22.65	23.98	18.35
10142344-114KLF	14	23.92	25.25	19.62
10142344-115KLF	15	25.19	26.52	20.89
10142344-116KLF	16	26.46	27.79	22.16



RECOMMENDED PCB LAYOUT
SCALE 6:1



POSITION NUMBER INDICATION FOR 8POS VERSION



GENERAL VIEW FOR 4
TO 6 POS

spec ref	GS-12-1422	dr	Ramu P	2018/07/10	projection	mm	size	A3	scale	5:1
tolerance std	ISO 406 ISO 1101	eng	Moisan, Gwenda	2026/02/04			ecn no	ELX-F-59330-1		
TOLERANCES UNLESS OTHERWISE SPECIFIED		chr	-	rel level				Released		
surface	linear	0.X	±0.3	Amphenol FCI HEADER ASSEMBLY MINITEK μSPACE STAGGERED TOP LATCH	product family -	cat. no. -	Product - Customer Drw	sheet 2 of 2	rev E	dwg no 10142344
		0.XX	±0.10							
	angular	0°	±2°							

Creo File:ELX-WC-A3C.REV F.2020-12-21