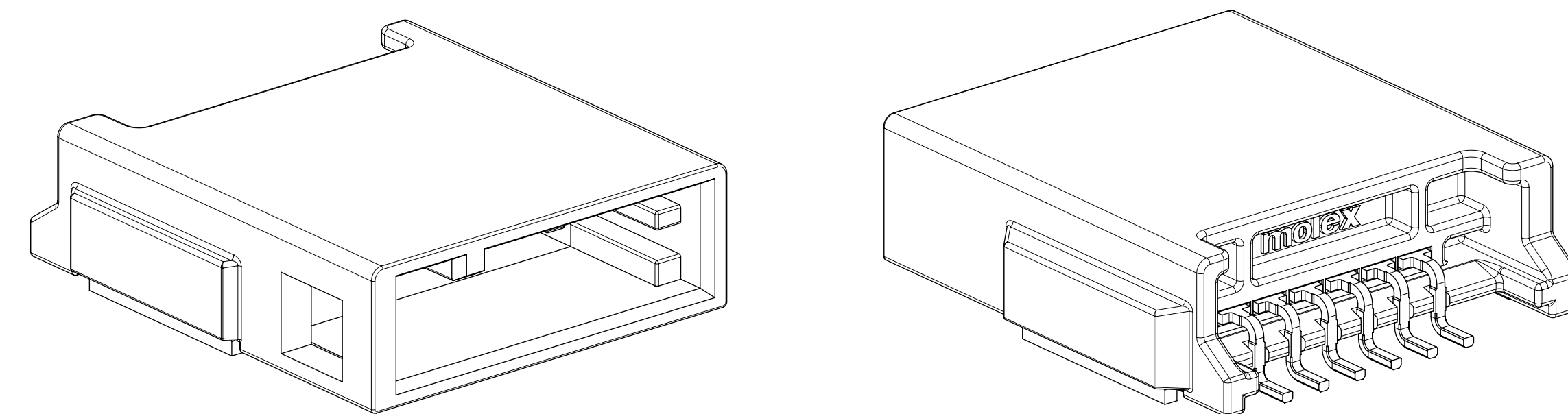


EXAMPLE:

PN 2080333041
 208033 - SERIES NUMBER: SINGLE ROW RIGHT ANGLE SMT HEADER - STD. PERF.
 3 - TYPE OF COMPONENT: V0 MATERIAL; FULLY POPULATED
 04 - 4 USABLE CIRCUITS
 1 - KEY A

FINAL PART: 4CKT SINGLE ROW RIGHT ANGLE V0 SMT HEADER - KEY A

CONNTAK50 SINGLE ROW RIGHT ANGLE SMT HEADERS (6CKT SHOWN)



NOTES:

VALID UNLESS OTHERWISE SPECIFIED

- GENERAL:
 - APPLICATION SPECIFICATION SEE: 2046310000-AS
 - PRODUCT SPECIFICATION SEE: 2046310000-PS
 - PACKAGING SPECIFICATION PER MOLEX DRAWING: 2080333021-PK
 - PACKAGING IS TAPE & REEL
 - COMPATIBLE WITH STANDARD AK INTERFACE C-114-94000-20 REV A1
 - CONFORMS TO MOLEX AK INTERFACE 2046310001 REV A
 - MOLEX AK INTERFACE IS PART OF PPAP
 - TRACEABILITY MARKED IN AREA SHOWN. MARK IS CODED AS FOLLOWS:
 - ROW 1 ("XXXXXXXXXX" OR "XXXXXXXXXX-X"):
 - "XXXXXXXXXX" IS MOLEX PART NUMBER ("-X" INDICATES ASSEMBLY LINE NUMBER IF APPLICABLE)
 - "XXXXXXXXXX" IS MOLEX PART NUMBER ("-X" INDICATES ASSEMBLY LINE NUMBER IF APPLICABLE)
 - 1ST & 2ND DIGITS (HH): HOUR OF ASSEMBLY (24 HOUR CLOCK) (EXAMPLE: 15:00 --> "15", 7:00 --> "07")
 - 3RD THRU 5TH DIGITS (DDD): JULIAN DATE (EXAMPLE: FEBRUARY 3RD --> "034")
 - 6TH & 7TH DIGITS (YY): LAST 2 DIGITS OF CALENDAR YEAR (EXAMPLE: 2013 --> "13")
 - 8TH DIGIT (Z): PERFORMANCE MARKING.
- DESIGN - MATERIALS:
 - SHROUD (PLASTIC HOUSING): PA9T-GF30%
 - BLADES:
 - STANDARD PERFORMANCE BLADES
 - BASE MATERIAL: C26000 BRASS
 - UNDERPLATING (CONTACT REGION): NICKEL 1.0 - 1.8 μm
 - OVERPLATING (CONTACT REGION): MATTE TIN: 1.0 - 3.0 μm
- DESIGN - GEOMETRY:
 - GEOMETRIC DIMENSIONS AND TOLERANCES PER ASME Y14.5M-2009

	SERIES NUMBERS (AAAAAA)	TYPE OF COMPONENT (B)	USABLE CIRCUITS (CC)	KEY (D)
MATING COMPONENT	205827 - SR TANG RECEPTACLE	2 - STD MATL; FULLY POPULATED 3 - V0 MATL; FULLY POPULATED	02 - 2 Circuits	1 - KEY A
ON DRAWING	208037 - SR CLEAN BODY RECEPTACLE		...	2 - KEY B
OTHER	208033 - SR RIGHT ANGLE SMT HEADER - STANDARD PERF.		...	3 - KEY C
	208035 - SR VERTICAL SMT HEADER - STANDARD PERF.		11 - 11 Circuits	4 - KEY D

INTERFACE	INTERFACE CKT SIZE	DIM A	DIM B	DIM C	DIM D	DIM E	DIM F	KEY	COLOR	STANDARD PERF. RIGHT ANGLE V0 SMT HEADER		TOOLING STATUS
										PART NUMBER	WEIGHT (g)	
	2	11.95	10.45	4.95	0.375	5.60	0.375	A	BLACK	2080333021	1.14	AVAILABLE
								B	NATURAL	2080333022	1.14	
								C	BLUE	2080333023	1.14	
								D	VIOLET	2080333024	1.14	
	3	13.75	12.25	5.85	1.275	6.50	1.275	A	BLACK	2080333031	1.27	AVAILABLE
								B	NATURAL	2080333032	1.27	
								C	BLUE	2080333033	1.27	
								D	VIOLET	2080333034	1.27	
	4	15.55	14.05	6.75	2.175	7.40	2.175	A	BLACK	2080333041	1.40	AVAILABLE
								B	NATURAL	2080333042	1.40	
								C	BLUE	2080333043	1.40	
								D	VIOLET	2080333044	1.40	
	5	17.35	15.85	7.65	3.075	8.30	3.075	A	BLACK	2080333051	1.53	AVAILABLE
								B	NATURAL	2080333052	1.53	
								C	BLUE	2080333053	1.53	
								D	VIOLET	2080333054	1.53	
	6	19.15	17.65	8.55	3.975	9.20	3.975	A	BLACK	2080333061	1.66	AVAILABLE
								B	NATURAL	2080333062	1.66	
								C	BLUE	2080333063	1.66	
								D	VIOLET	2080333064	1.66	
	7	20.95	19.45	9.45	4.875	10.10	4.875	A	BLACK	2080333071	-	INQUIRE FOR AVAILABILITY
								B	NATURAL	2080333072	-	
								C	BLUE	2080333073	-	
								D	VIOLET	2080333074	-	
	8	22.75	21.25	10.35	5.775	11.00	5.775	A	BLACK	2080333081	-	INQUIRE FOR AVAILABILITY
								B	NATURAL	2080333082	-	
								C	BLUE	2080333083	-	
								D	VIOLET	2080333084	-	
	9	24.55	23.05	11.25	6.675	11.90	6.675	A	BLACK	2080333091	-	INQUIRE FOR AVAILABILITY
								B	NATURAL	2080333092	-	
								C	BLUE	2080333093	-	
								D	VIOLET	2080333094	-	
	10	26.35	24.85	12.15	7.575	12.80	7.575	A	BLACK	2080333101	-	INQUIRE FOR AVAILABILITY
								B	NATURAL	2080333102	-	
								C	BLUE	2080333103	-	
								D	VIOLET	2080333104	-	
	11	28.15	26.65	13.05	8.475	13.70	8.475	A	BLACK	2080333111	-	INQUIRE FOR AVAILABILITY
								B	NATURAL	2080333112	-	
								C	BLUE	2080333113	-	
								D	VIOLET	2080333114	-	

PERFORMANCE MARK: S

INSPECTION BALLOON LOG		B5 ADDED WEIGHT TO BOM TABLE	
PER DRAWING REVISION: B5		B4 UPDATED: POL B COLOR FROM GREY TO NATURAL IN BOM	
LAST BALLOON USED: 13		B3 NO CHANGE TO SALES DRAWING, CHANGED ENGINEERING AND ASSEMBLY DRAWINGS	
ADDED BALLOON NUMBERS:		B2 UPDATED TOLERANCE ON DIM 6 FROM 0.05 TO 0.20MM	
REMOVED BALLOON NUMBERS:		B1 UPDATED SR CLEAN BODY SERIES NUMBER SHOWN IN TABLE, CORRECTED DIM D	
THIS DRAWING CONTAINS INFORMATION THAT IS PROPRIETARY TO MOLEX ELECTRONIC TECHNOLOGIES, LLC AND SHOULD NOT BE USED WITHOUT WRITTEN PERMISSION		B REMOVED DATUMS D, E, & F; ADDED DATUM G; UPDATED PCB LAYOUT; REMOVED DIM 7, 8; ADDED DIMS 10, 11, 12, 13; REMOVED HIGH PERFORMANCE PART NUMBERS; UPDATED STANDARD PERFORMANCE PLATING	
CURRENT REV DESC: Weight Column added to BOM Table		A3 UPDATED DIMS 7 & 8 FROM 0.20 TO 0.25MM; UPDATED DIM E; ADDED DIM 9	
FUNCTIONAL SYMBOLS		A2 UPDATED VARIABLE DIMENSION TABLE; ORDER OF VARIABLE DIMENSIONS HAS CHANGED; DIM G IS CREATED.	
DIMENSION UNITS: MM		A1 LATCH WALL MODIFICATION; DATUM D & DATUM E CHANGE; TRACEABILITY MARKINGS ADDED	
SCALE: 5:1		REV DESCRIPTION	
GENERAL TOLERANCES (UNLESS SPECIFIED)		B5 ADDED WEIGHT TO BOM TABLE	
ANGULAR TOL ± 0.5°		B4 UPDATED: POL B COLOR FROM GREY TO NATURAL IN BOM	
4 PLACES ±		B3 NO CHANGE TO SALES DRAWING, CHANGED ENGINEERING AND ASSEMBLY DRAWINGS	
3 PLACES ±		B2 UPDATED TOLERANCE ON DIM 6 FROM 0.05 TO 0.20MM	
2 PLACES ±		B1 UPDATED SR CLEAN BODY SERIES NUMBER SHOWN IN TABLE, CORRECTED DIM D	
1 PLACE ±		A3 UPDATED DIMS 7 & 8 FROM 0.20 TO 0.25MM; UPDATED DIM E; ADDED DIM 9	
0 PLACES ±		A2 UPDATED VARIABLE DIMENSION TABLE; ORDER OF VARIABLE DIMENSIONS HAS CHANGED; DIM G IS CREATED.	
DIVISIONAL SYMBOLS		A1 LATCH WALL MODIFICATION; DATUM D & DATUM E CHANGE; TRACEABILITY MARKINGS ADDED	
DRAFT WHERE APPLICABLE MUST REMAIN WITHIN DIMENSIONS		REV DESCRIPTION	
THIRD ANGLE PROJECTION		B5 ADDED WEIGHT TO BOM TABLE	
STATUS: Production		B4 UPDATED: POL B COLOR FROM GREY TO NATURAL IN BOM	
DRWN: Skyler Russ		B3 NO CHANGE TO SALES DRAWING, CHANGED ENGINEERING AND ASSEMBLY DRAWINGS	
CHK'D: Skyler Russ		B2 UPDATED TOLERANCE ON DIM 6 FROM 0.05 TO 0.20MM	
APPR: Jeremy Dunaj		B1 UPDATED SR CLEAN BODY SERIES NUMBER SHOWN IN TABLE, CORRECTED DIM D	
DRAWING		A3 UPDATED DIMS 7 & 8 FROM 0.20 TO 0.25MM; UPDATED DIM E; ADDED DIM 9	
D-SIZE		A2 UPDATED VARIABLE DIMENSION TABLE; ORDER OF VARIABLE DIMENSIONS HAS CHANGED; DIM G IS CREATED.	
SERIES		A1 LATCH WALL MODIFICATION; DATUM D & DATUM E CHANGE; TRACEABILITY MARKINGS ADDED	
208033		REV DESCRIPTION	
MATERIAL NUMBER		B5 ADDED WEIGHT TO BOM TABLE	
SEE TABLE		B4 UPDATED: POL B COLOR FROM GREY TO NATURAL IN BOM	
CUSTOMER		B3 NO CHANGE TO SALES DRAWING, CHANGED ENGINEERING AND ASSEMBLY DRAWINGS	
GENERAL MARKET		B2 UPDATED TOLERANCE ON DIM 6 FROM 0.05 TO 0.20MM	
SHEET NUMBER		B1 UPDATED SR CLEAN BODY SERIES NUMBER SHOWN IN TABLE, CORRECTED DIM D	
1 OF 2		A3 UPDATED DIMS 7 & 8 FROM 0.20 TO 0.25MM; UPDATED DIM E; ADDED DIM 9	



CONNTAK50 SR R/A SMT SALES DRAWING (SINGLE ROW RIGHT ANGLE SMT HEADER)

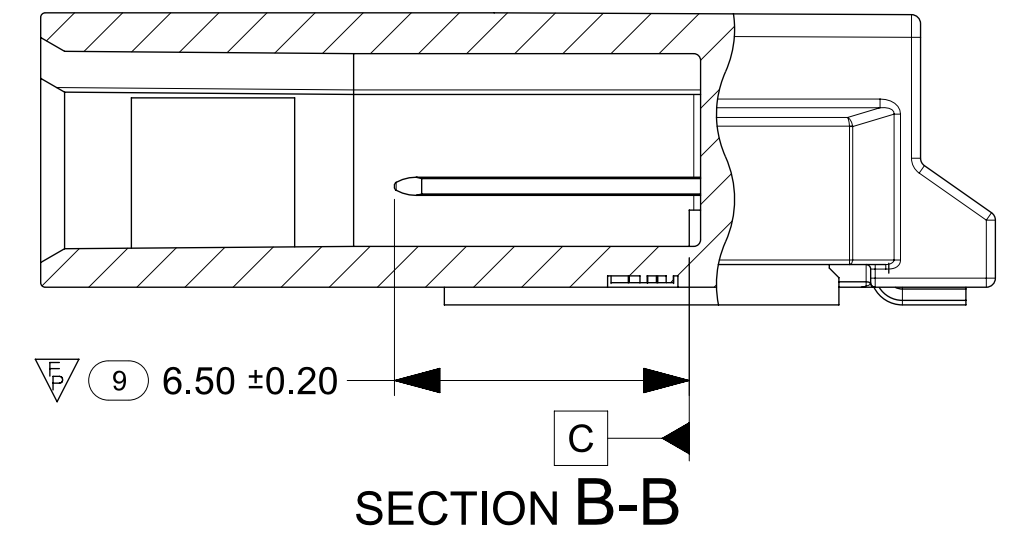
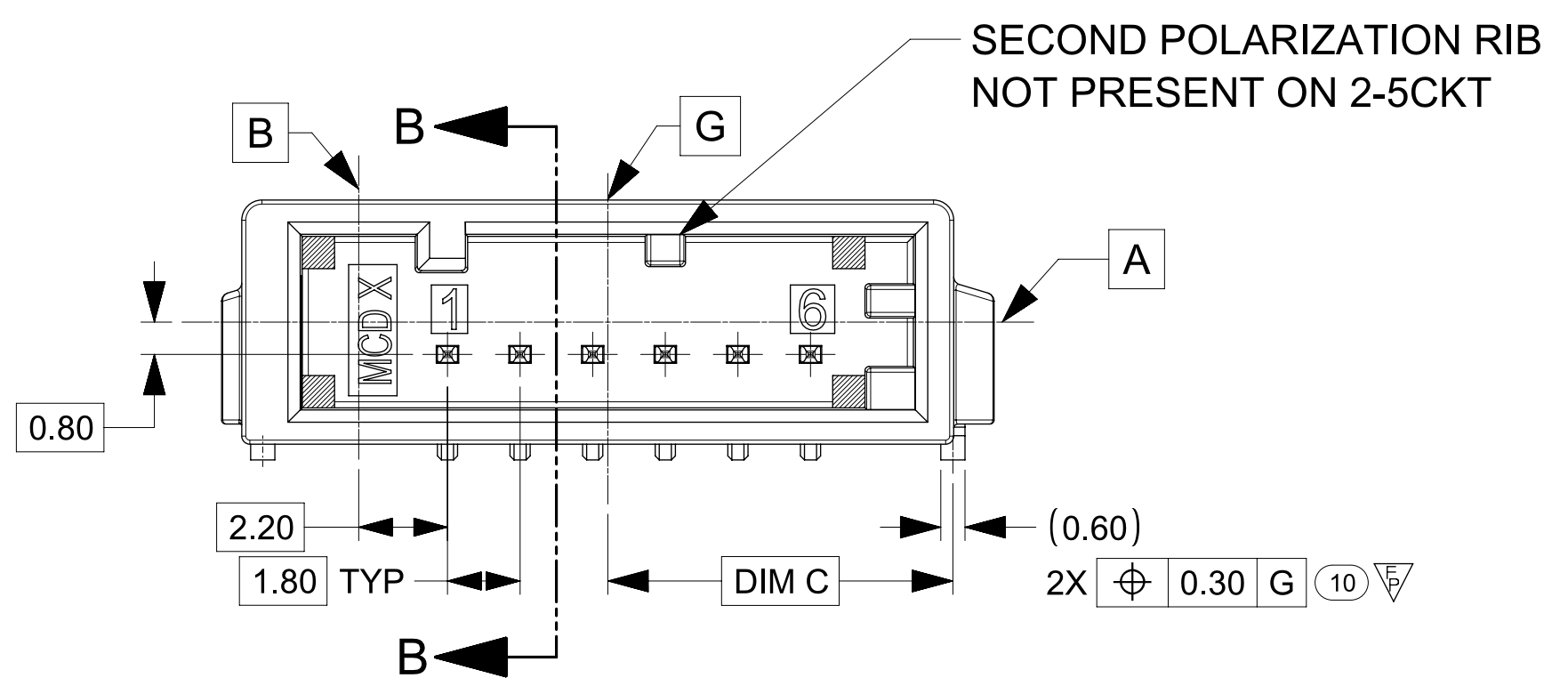
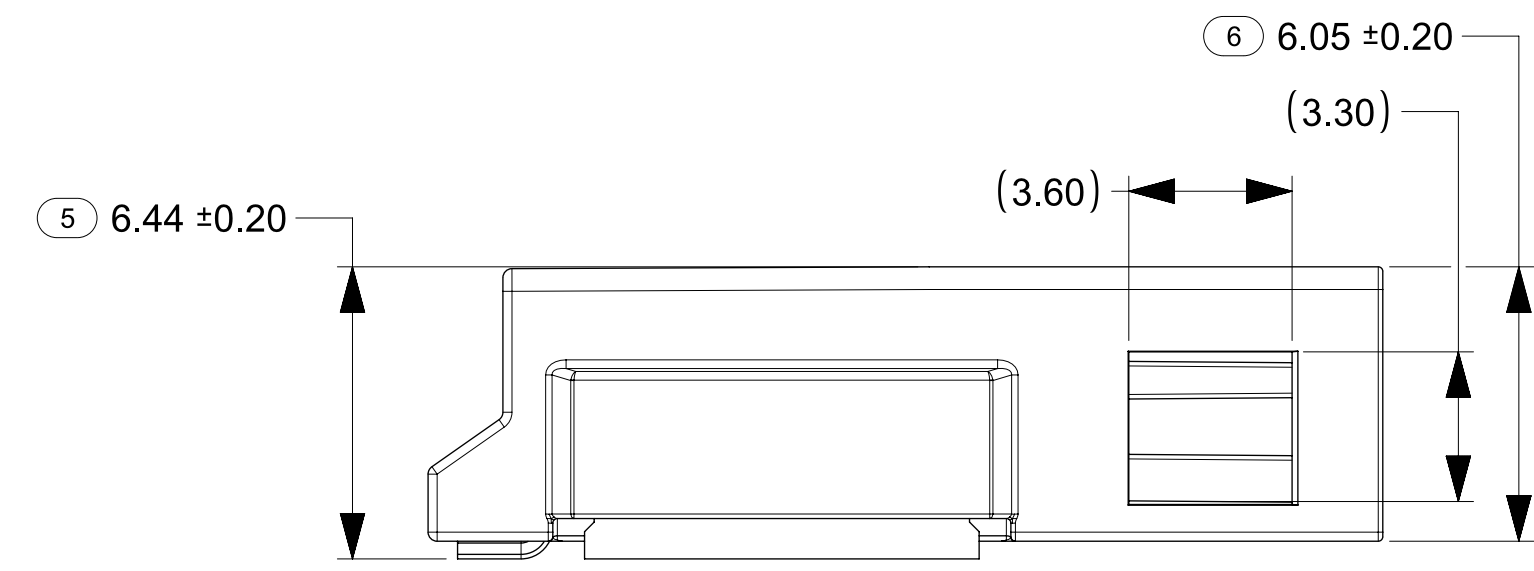
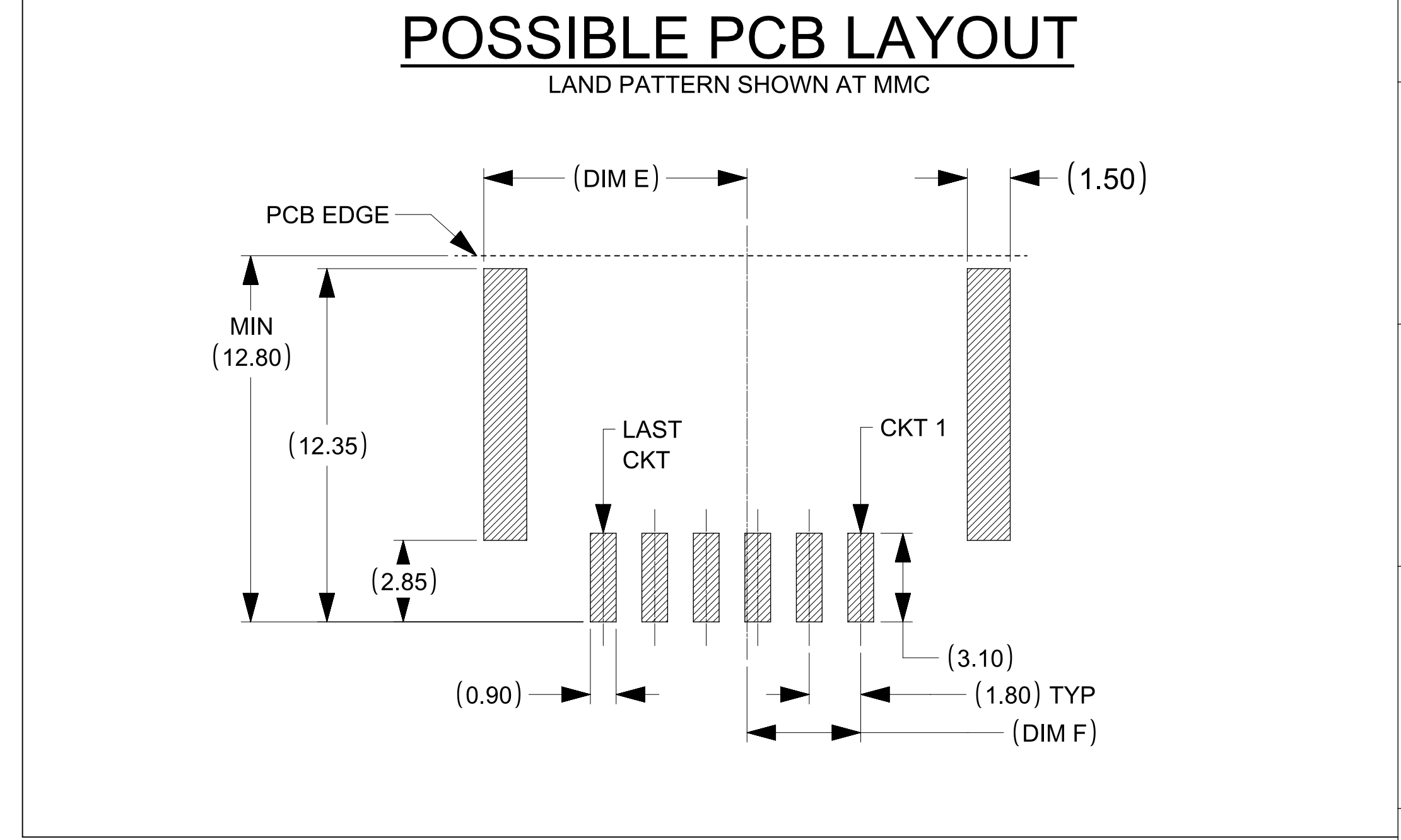
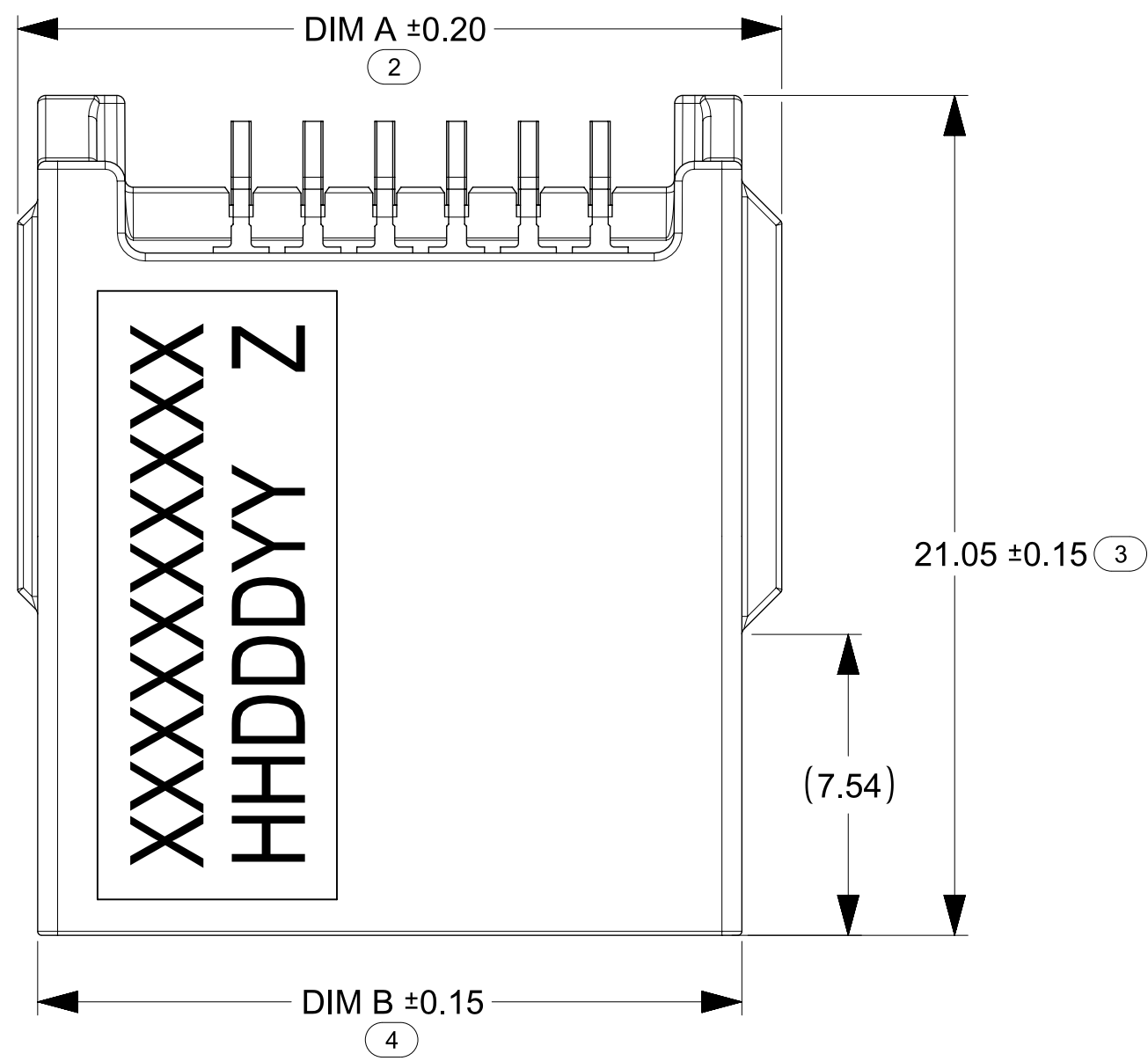
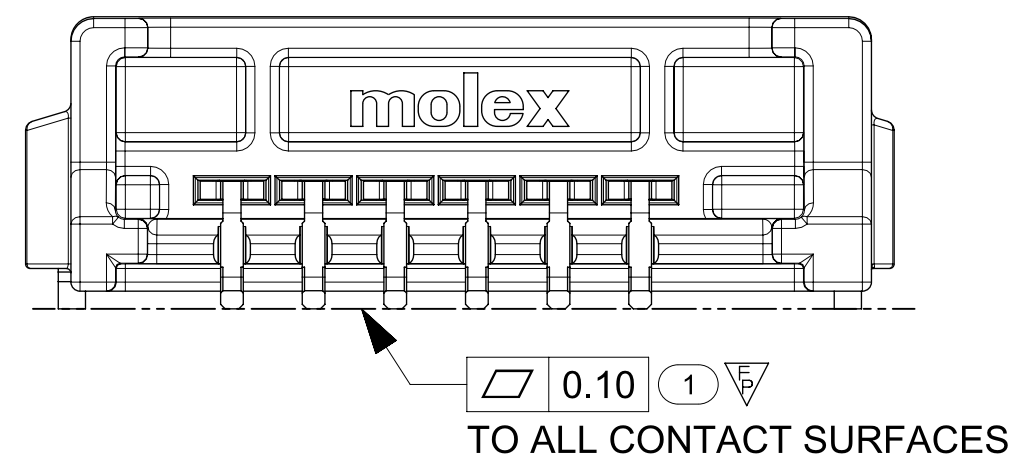
PRODUCT CUSTOMER DRAWING

DOCUMENT NUMBER DOC TYPE DOC PART REVISION

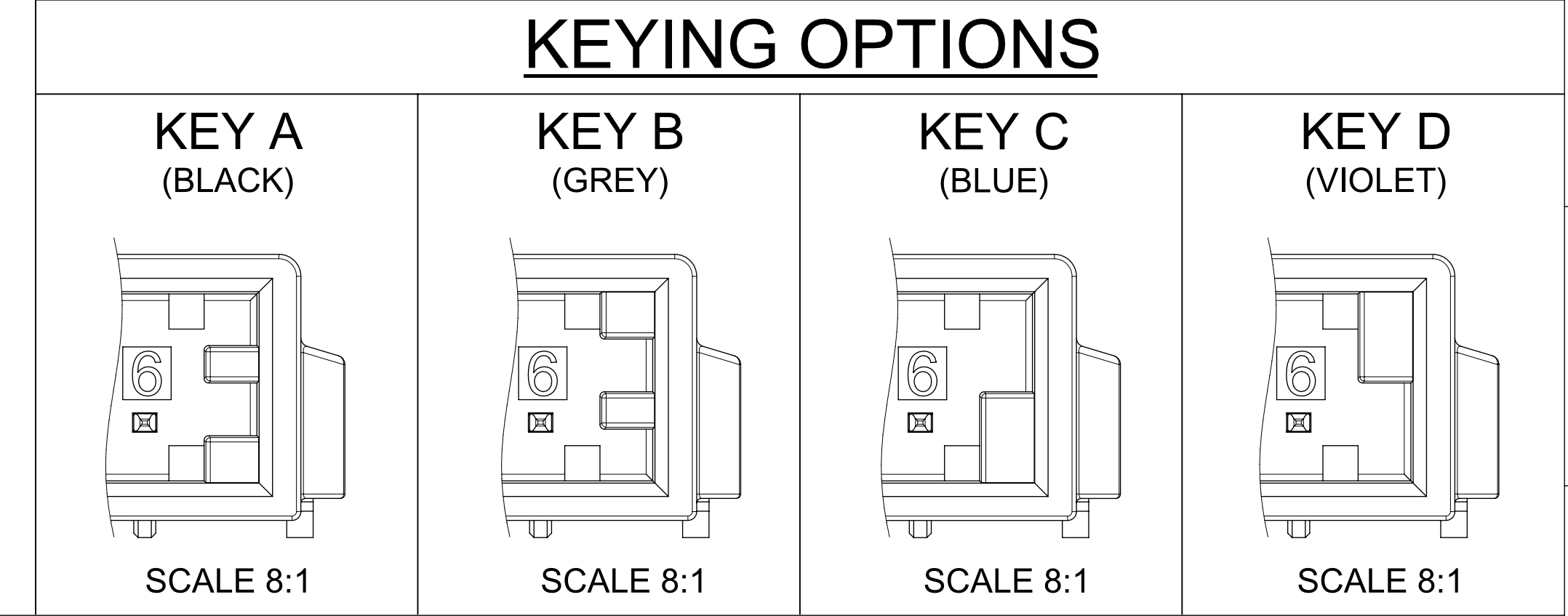
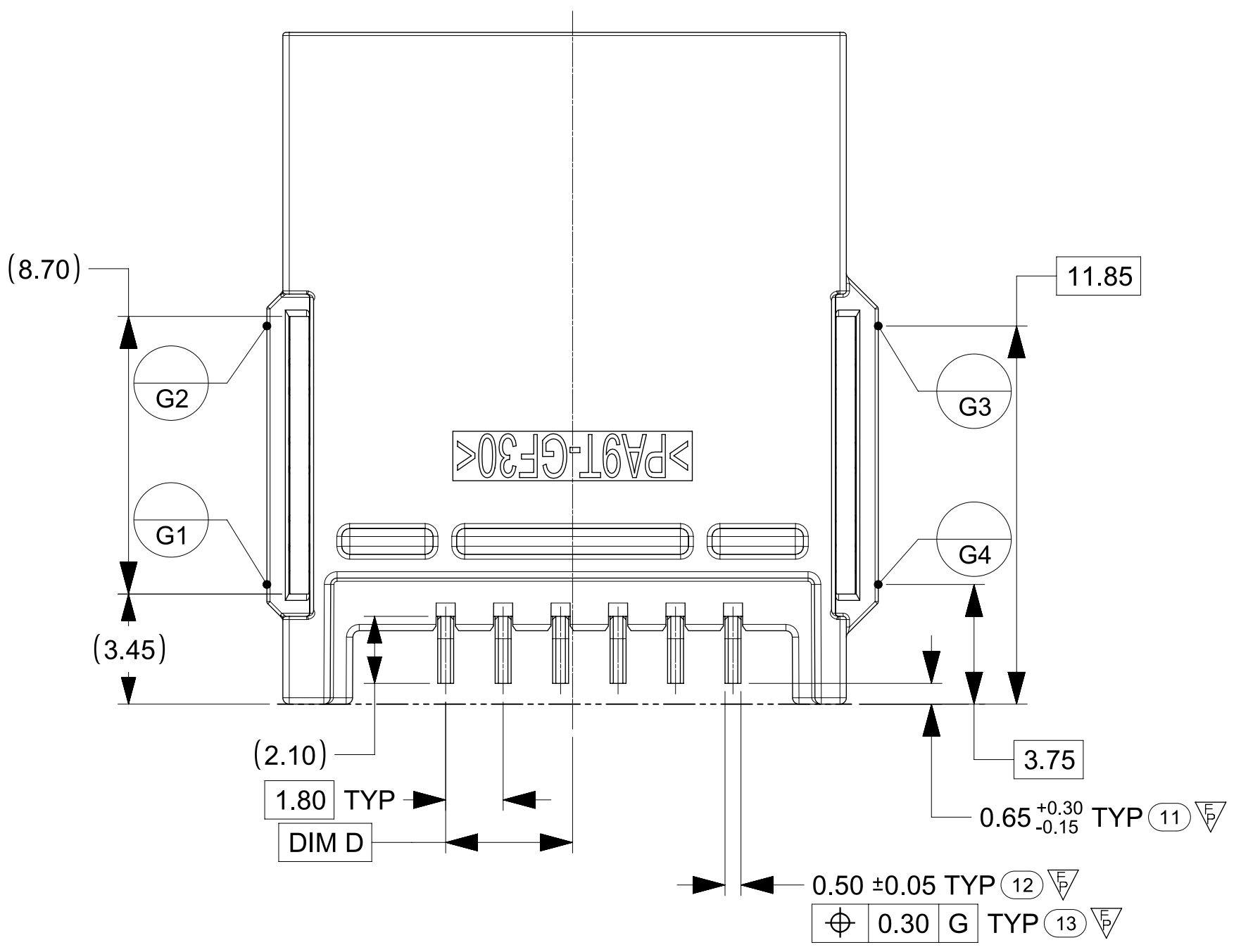
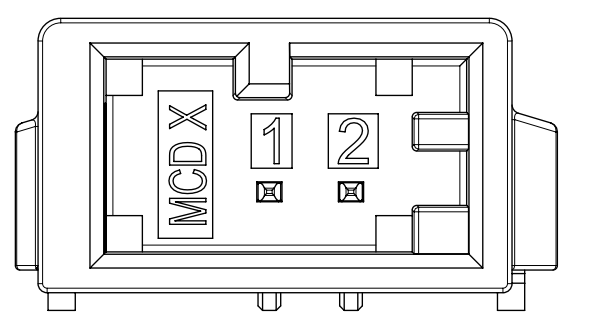
2080330003 PSD 000 B5

6CKT KEY A (2080333061) SHOWN EXCEPT WHERE NOTED

REFER TO 2046310001 FOR INTERFACE DIMENSIONS



2CKT SHOWN FOR REFERENCE



FUNCTIONAL SYMBOLS $F_A = 0$ $F_C = 0$ $F_P = 6$ DIVISIONAL SYMBOLS	THIS DRAWING CONTAINS INFORMATION THAT IS PROPRIETARY TO MOLEX ELECTRONIC TECHNOLOGIES, LLC AND SHOULD NOT BE USED WITHOUT WRITTEN PERMISSION		DIMENSION UNITS: MM SCALE: 6:1		CURRENT REV DESC: Weight Column added to BOM Table	
	GENERAL TOLERANCES (UNLESS SPECIFIED)		ANGULAR TOL $\pm 0.5^\circ$		STATUS: Production	
	4 PLACES \pm 3 PLACES \pm 2 PLACES \pm 1 PLACE \pm 0 PLACES \pm		DRWN: Skyler Russ CHK'D: Skyler Russ APPR: Jeremy Dunaj		2025-02-05 2025-02-11 2025-02-11	
	DRAFT WHERE APPLICABLE MUST REMAIN WITHIN DIMENSIONS		THIRD ANGLE PROJECTION		DRAWING: D-SIZE SERIES: 208033	
PRODUCT CUSTOMER DRAWING			CONNTAK50 SR R/A SMT SALES DRAWING (SINGLE ROW RIGHT ANGLE SMT HEADER)			
DOCUMENT NUMBER: 2080330003		DOC TYPE: PSD		DOC PART: 000		
REVISION: B5		MATERIAL NUMBER: SEE TABLE		CUSTOMER: GENERAL MARKET		
SHEET NUMBER: 2 OF 2		SHEET NUMBER: 2 OF 2		SHEET NUMBER: 2 OF 2		