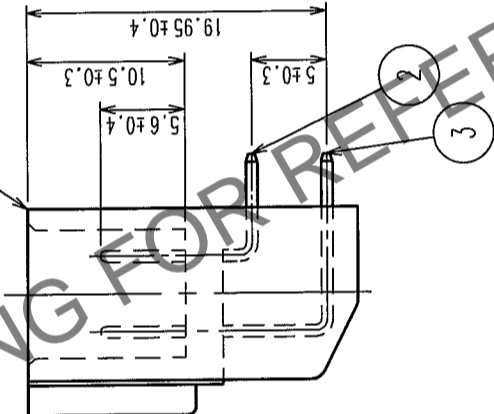
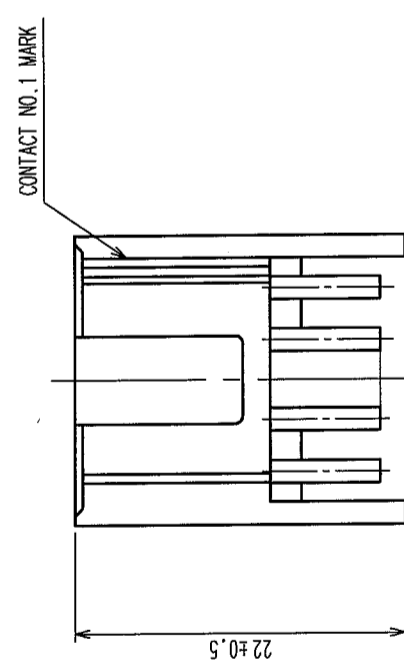
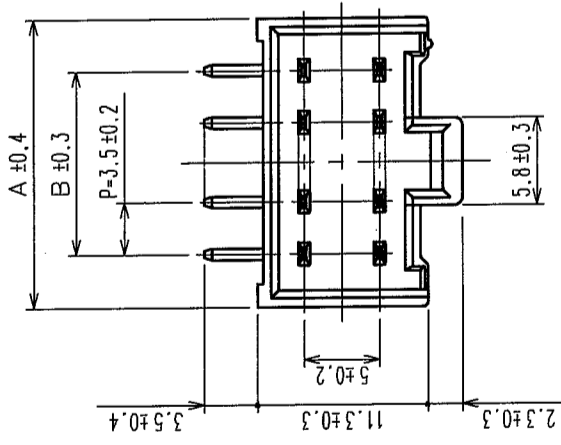
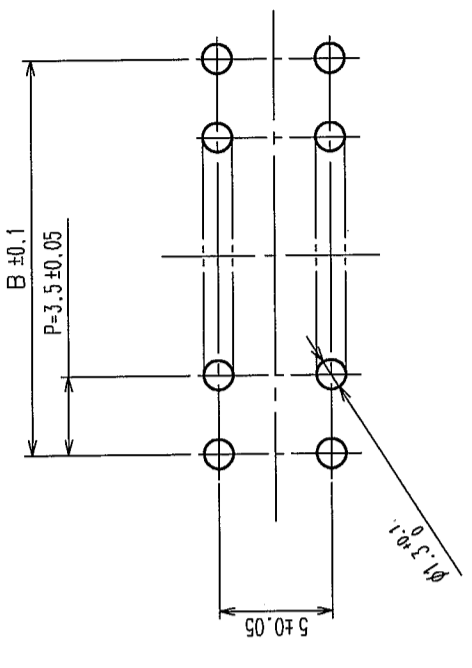


Jun.1.2026 Copyright 2026 HIROSE ELECTRIC CO., LTD. All Rights Reserved.  
 In case of consideration for using Automotive equipment / device which demand high reliability, kindly contact our sales window correspondents.

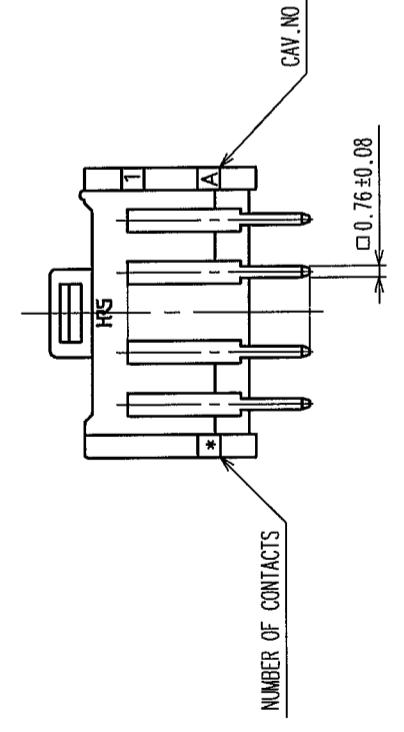
COUNT	DESCRIPTION OF REVISIONS	BY	CHKD	DATE	COUNT	DESCRIPTION OF REVISIONS	BY	CHKD	DATE
△					△				
△					△				
△					△				



RECOMMENDED PATTERN



CODE NO.	PART NO.	NUMBER OF CONTACTS	A	B
CL547-0270-0-05	MDF6-4DP-3.5DS(05)	4	10.5	3.5
CL547-0271-2-05	MDF6-6DP-3.5DS(05)	6	14.0	7.0
CL547-0272-5-05	MDF6-8DP-3.5DS(05)	8	17.5	10.5
CL547-0273-8-05	MDF6-10DP-3.5DS(05)	10	21.0	14.0



NO.	MATERIAL	FINISH, REMARKS	NO.	MATERIAL	FINISH, REMARKS
2	BRASS	SURFACE:TIN-COPPER PLATED 1μ m min UNDER PLATING:NICKEL 0.5μ m min	3	BRASS	SURFACE:TIN-COPPER PLATED 1μ m min UNDER PLATING:NICKEL 0.5μ m min
1	POLYAMIDE	WHITE,UL94V-0			

CODE NO. (OLD)	CL	DRAWN	DESIGNED	CHECKED	APPROVED	RELEASED
		M. Nakamoto '04.04.15	H. Umemura '04.04.16	J. Ota '04.04.16	J. Ota '04.04.16	J. Ota '04.04.16

DRAWING NO.	PART NO.
EDC3-162426-10	MDF6-*DP-3.5DS(05)

SCALE	UNITS	CODE NO.
2 : 1	mm	CL547-

TO