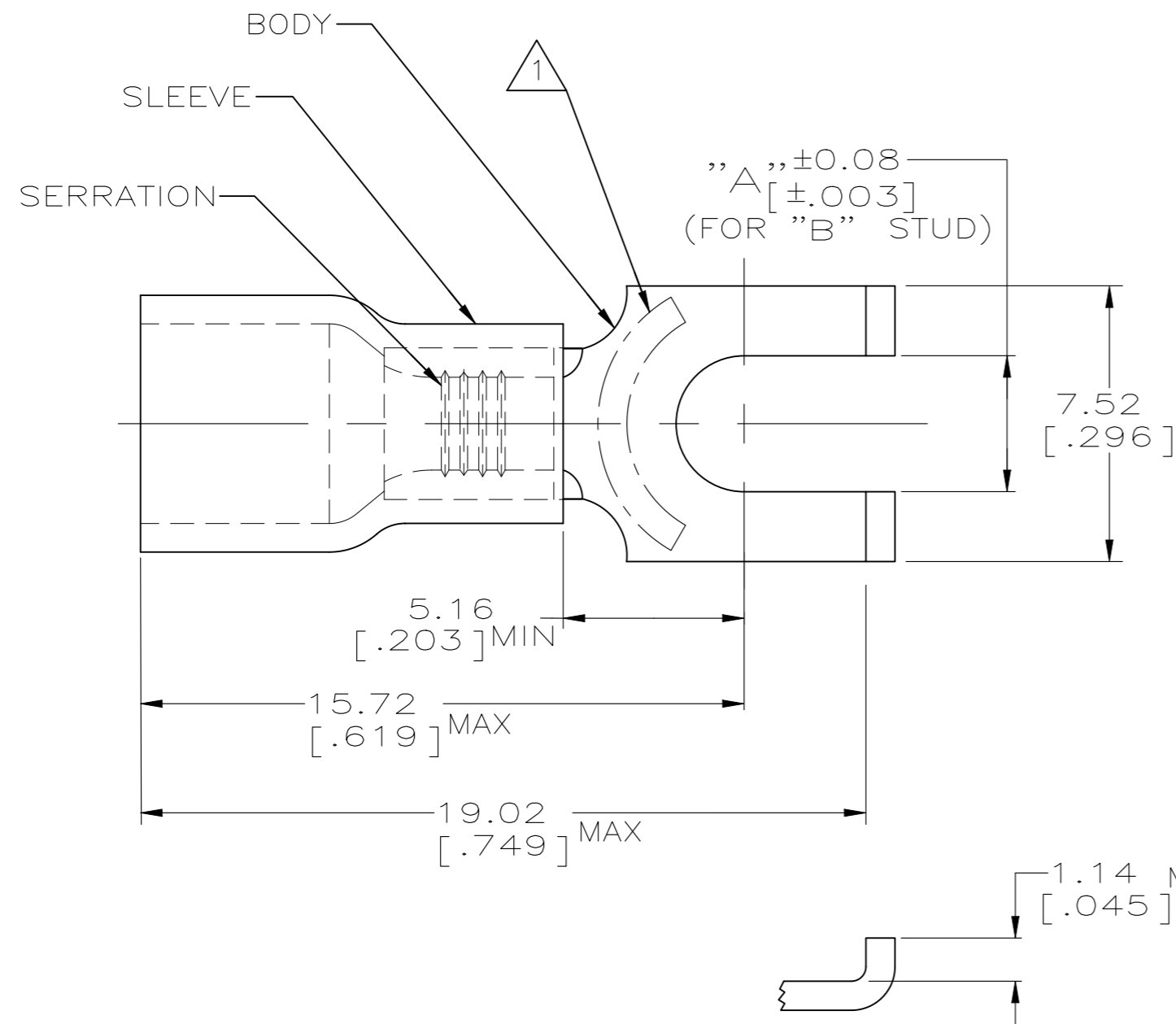


© - TE Connectivity. All Rights Reserved.

REVISIONS				
P	LTR	DESCRIPTION	DATE	APVD
	L3	REVISED PER ECR-25-255998	16SEP2025	SA DSC



AMP WIRE RANGE	Listed FILE E13288	LR7189 Certified
22-16 AWG SOLID OR STRANDED	22-16 AWG SOLID OR STRANDED	22-16 AWG SOLID OR STRANDED

- ① STAMP AMP 22-18* APPROX AS SHOWN
22-16 TERMINALS ARE STAMPED 22-18 IN
ACCORDANCE WITH MILITARY SPEC SAE AS7928
COMMERCIAL WIRE RANGE IS 22-16
- 2. WIRE INSUL DIA, 2.67-3.56 [.105-.140]
- 3. TONGUE MATL THK, 0.79±0.05 [.031±.002]
- ④ MATERIAL: BODY - CU PER ASTM B152
SLEEVE - PVC, COLOR - RED

#6	3.68 [.145]	100	LOOSE PIECE,BOX	8-322249-1
#6	3.68 [.145]	1 KIT = 250 PIECES	LOOSE PIECE	6-322249-0
#8	4.34 [.171]	5000	ON TAPE,REEL	1-322249-9
#6	3.68 [.145]	5000	ON TAPE,REEL	1-322249-1
#8	4.34 [.171]	1000	LOOSE PIECE	1-322249-0
#6	3.68 [.145]	1000	LOOSE PIECE	322249
"B"	"A"	QTY	PACKAGE TYPE	PART NO

**AMP INCORPORATED
CUSTOMER SERVICE SYSTEMS**

FOR ADDITIONAL PRODUCT INFORMATION OR COPIES OF DRAWINGS AND TECHNICAL DOCUMENTS
PRODUCT INFORMATION CENTER
1-800-522-6752

FOR APPLICATION TOOLING INFORMATION
TOOLING ASSISTANCE CENTER
1-800-722-1111

FOR ORDER ENTRY
1-800-526-5142

MAX RECOMMENDED OPERATING TEMPERATURE:
105°C

VOLTAGE RATING:
600V MAX
(1000V FIXTURE OR SIGN)

CIRCULAR MIL AREA:
0.26-1.65mm² [509-3260]
SOLID OR STRANDED

THIS DRAWING IS A CONTROLLED DOCUMENT.

DIMENSIONS:
mm [INCHES]

TOLERANCES UNLESS OTHERWISE SPECIFIED:

0 PLC	± -
1 PLC	± -
2 PLC	± 0.20 [.008]
3 PLC	± -
4 PLC	± -
ANGLES	± -

MATERIAL
- ④
TIN PER ASTM B545

DWN L OLMEDA 05SEP95
CHK M ELLIS 05SEP95
APVD G NGO 05SEP95

STE TE Connectivity

NAME
TERMINAL, SPADE, FLANGED,
PLASTI-GRIP,
WIRE SIZE: 22-16 AWG

PRODUCT SPEC
UL 486A

APPLICATION SPEC

SIZE A3 CAGE CODE 00779 DRAWING NO C-322249 RESTRICTED TO -

WEIGHT -

CUSTOMER DRAWING SCALE 6:1 SHEET 1 OF 1 REV L3