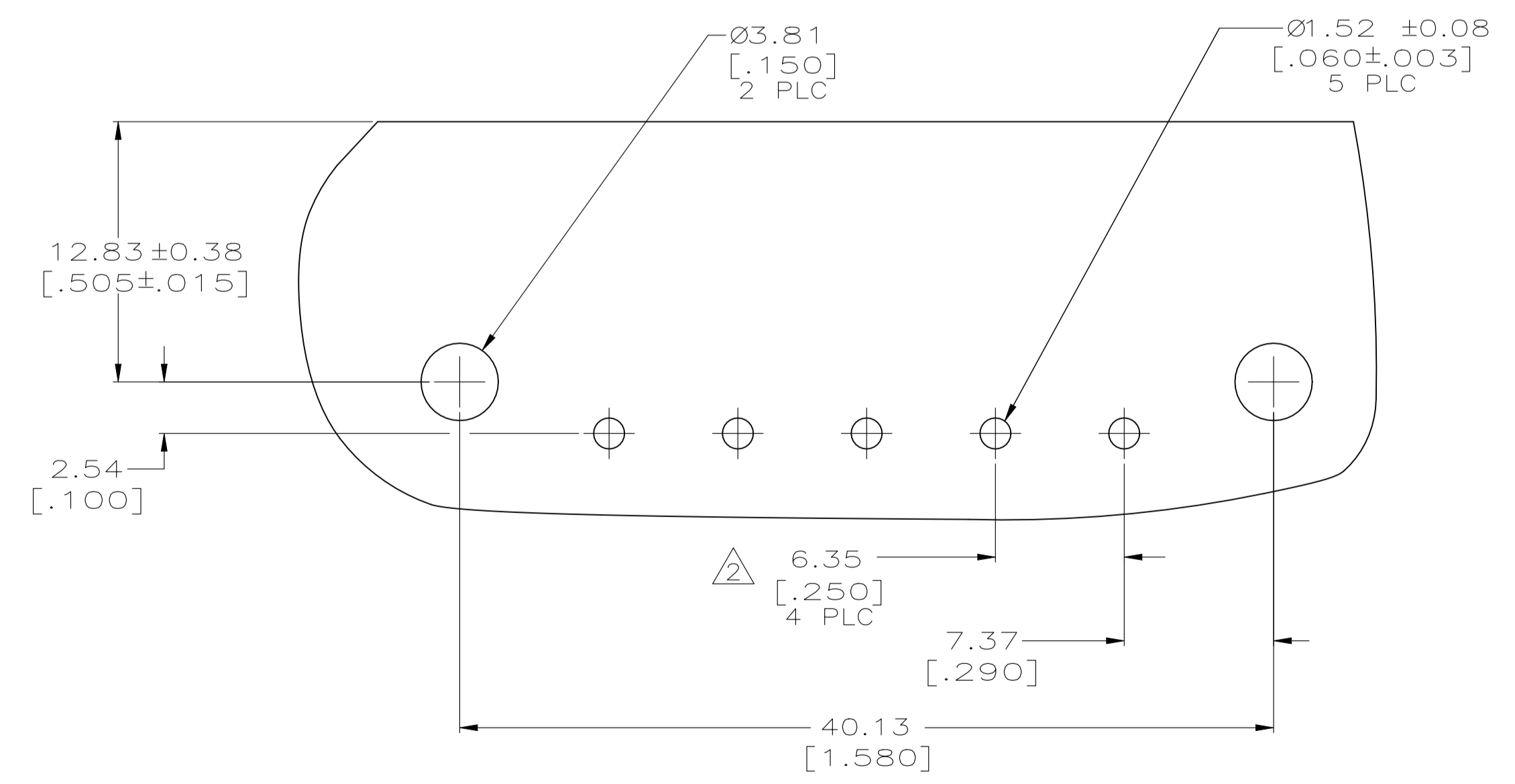
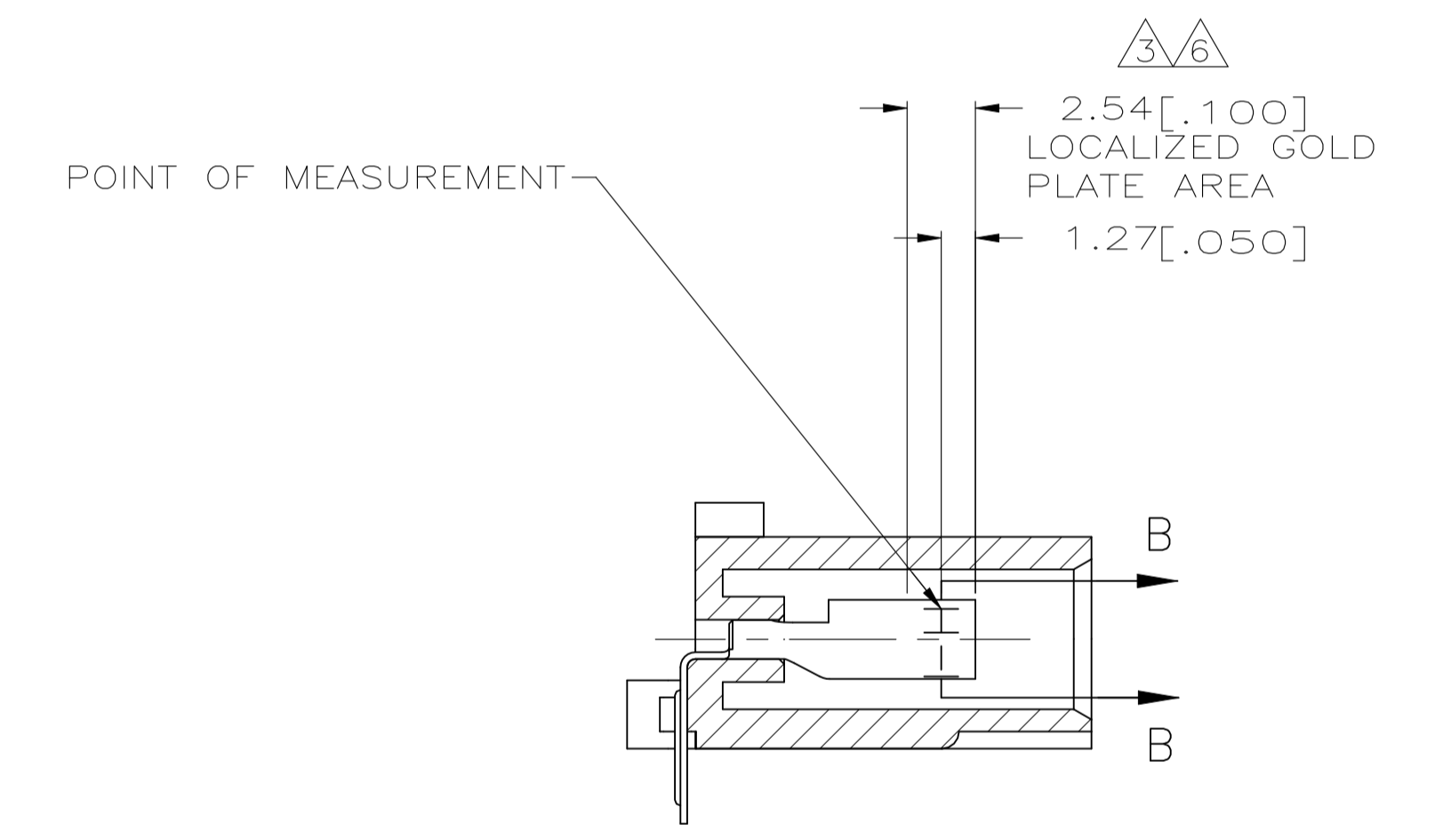
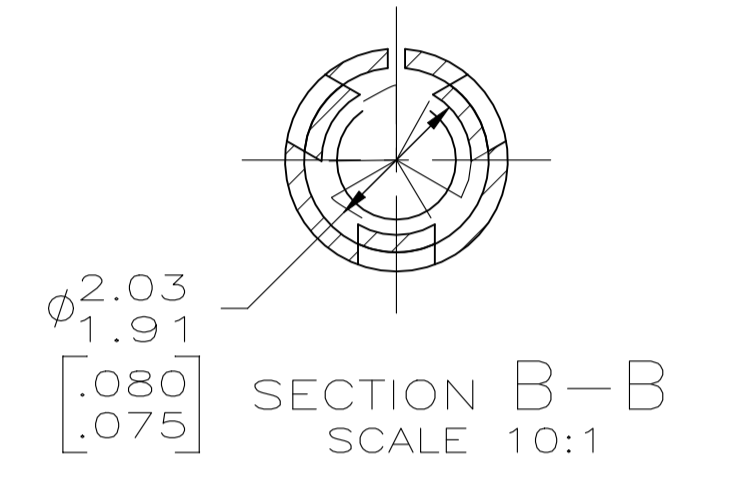
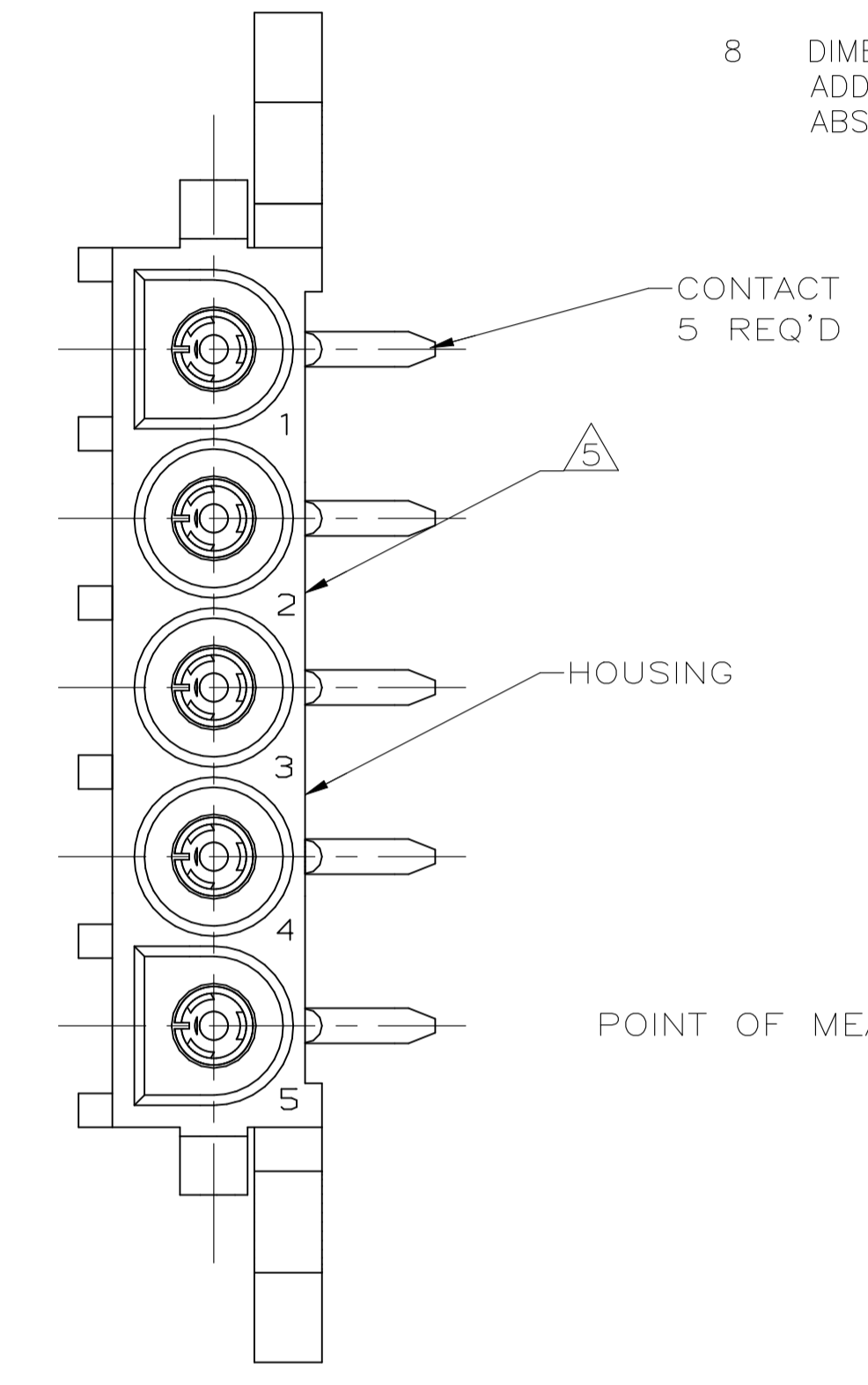
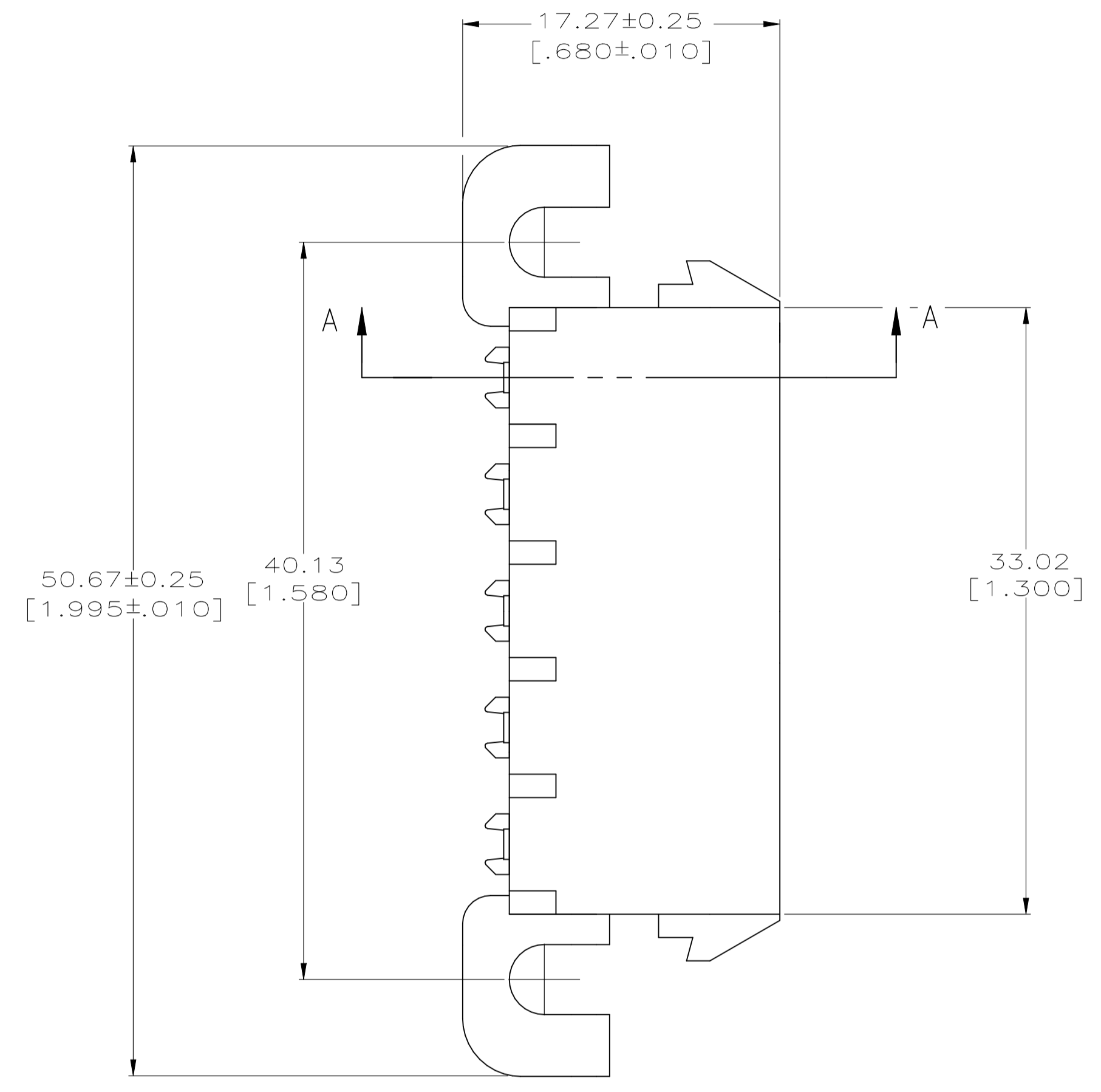
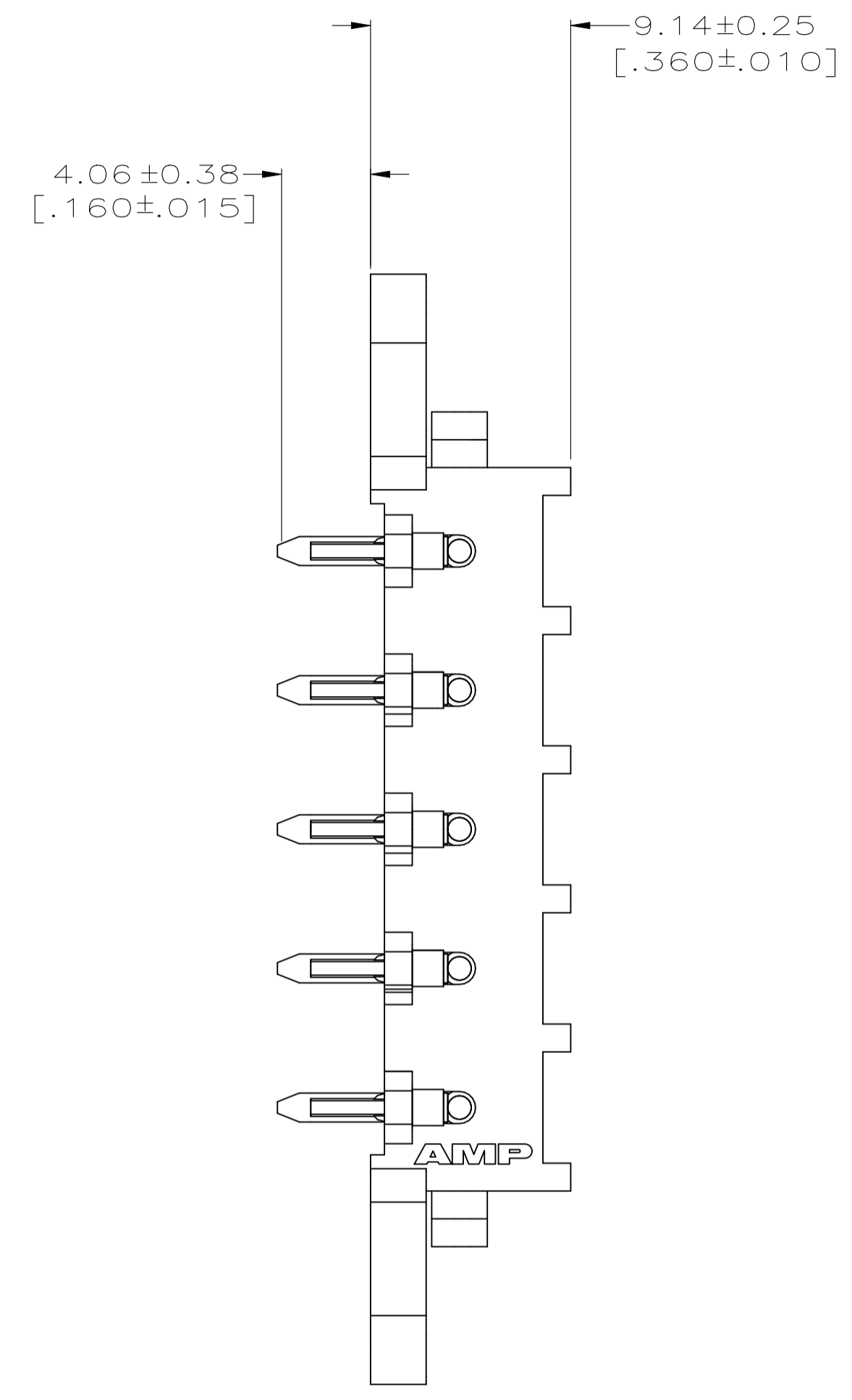
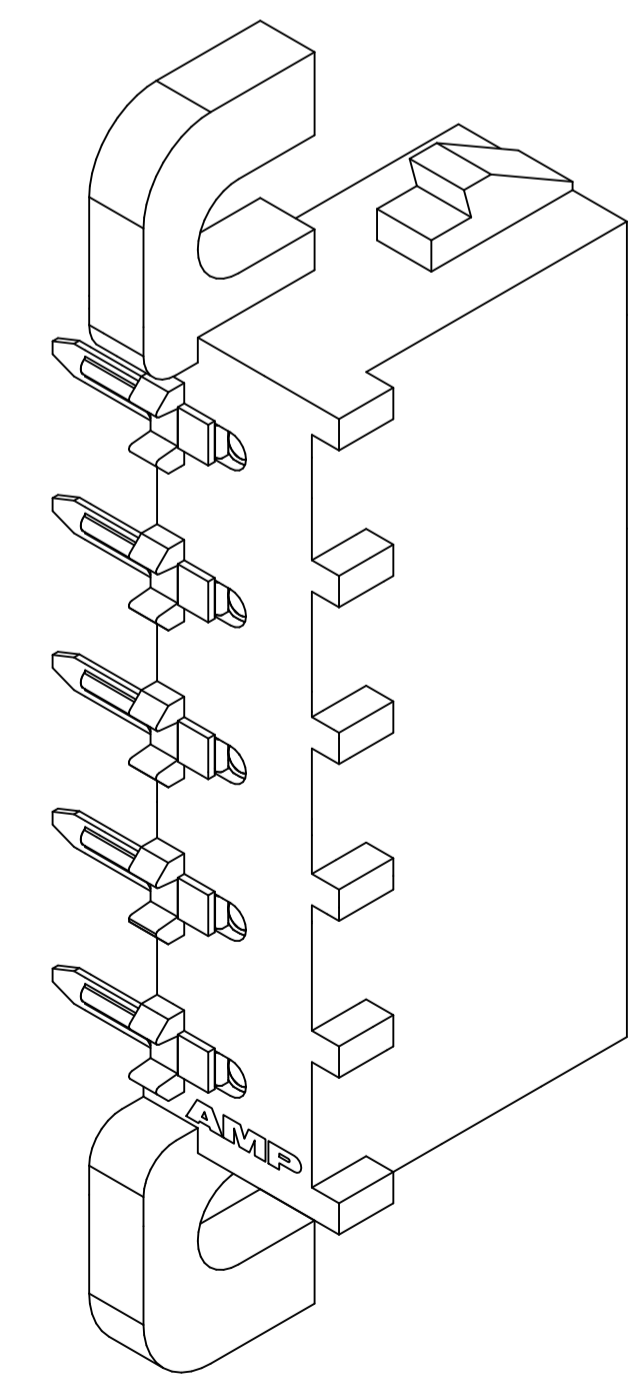


LOC		DIST		REVISIONS			
CM	00	REV	DATE	BY	CHK	APP'D	REV
D2	REVISED PER ECR-21-117154		01AUG2022	SM	VS		

- 1 PARTS COMPLY WITH AMP SOLDERABILITY SPECIFICATION 109-11-5.
- 2 TOLERANCE NON-CUMULATIVE.
- 3 0.00076 [.000030] GOLD OVER 0.00127 [.000050] MIN NICKEL WITH MATTE TIN LEAD ON SOLDER TAIL.
- 4 DIMENSIONS IN BRACKETS ARE IN INCHES.
- 5 CIRCUIT IDENTIFICATION CHARACTERS ARE ADJACENT TO THE INDICATED CAVITIES, BUT LOCATION AND ORIENTATION MAY DIFFER FROM PRINT.
- 6 0.00076 [.000030] GOLD OVER 0.00127 [.000050] MIN NICKEL WITH MATTE TIN ON SOLDER TAIL.
- 7 SUPERSEDED BY 3-643232-0
- 8 DIMENSIONS SHOWN REPRESENT PRODUCT IN DRY CONDITION. ADDITIONAL 2% GROWTH DUE TO END USE LOCATION MOISTURE ABSORPTION MAY OCCUR AND SHOULD BE ACCOUNTED FOR.



RECOMMENDED MOUNTING HOLE PATTERN FOR .062 [1.57] THICK P.C. BOARD



PH BRZ GOLD, 6	NYLON UL 94V-0	3-643232-0
PH BRZ GOLD, 3	NYLON UL 94V-0	643232-2
PH BRZ PRE-TIN	NYLON UL 94V-0	643232-1
CONTACT	HOUSING	PART NUMBER

DIMENSIONS:		TOLERANCES UNLESS OTHERWISE SPECIFIED:		APPROVED:		NAME:	
mm	[INCHES]	0 PLC	±	APVD	DATE	SIZE	CAGE CODE
Ø		1 PLC	±	S. RIDGILL	21APR2005	A1	00779
		2 PLC	±	S. RIDGILL	21APR2005	00779	643232
		3 PLC	± 0.13[.005]	TE Connectivity		SCALE	4:1
		4 PLC	±	SOCKET HEADER ASSEMBLY, RIGHT ANGLE MOUNT, 5 POSITION, UNIVERSAL MATE-N-LOK(TM)		SHEET	1 of 1
		ANGLES	±	RESTRICTED TO		REV	D2
MATERIAL	SEE TABLE	FINISH	SEE TABLE	CUSTOMER DRAWING			