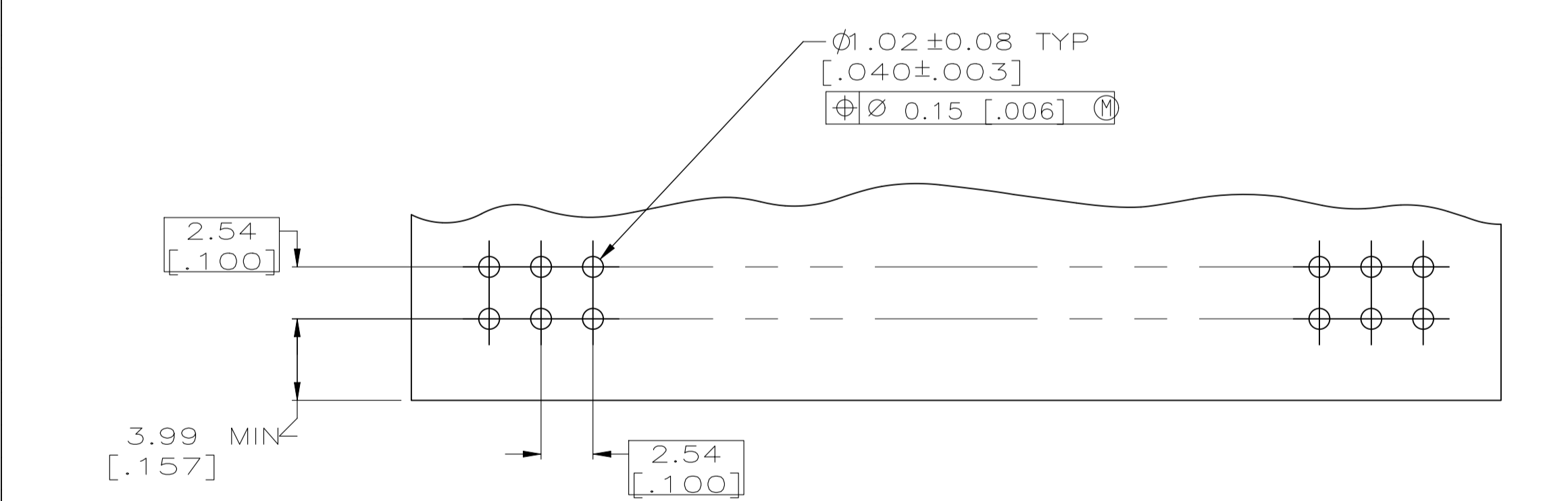
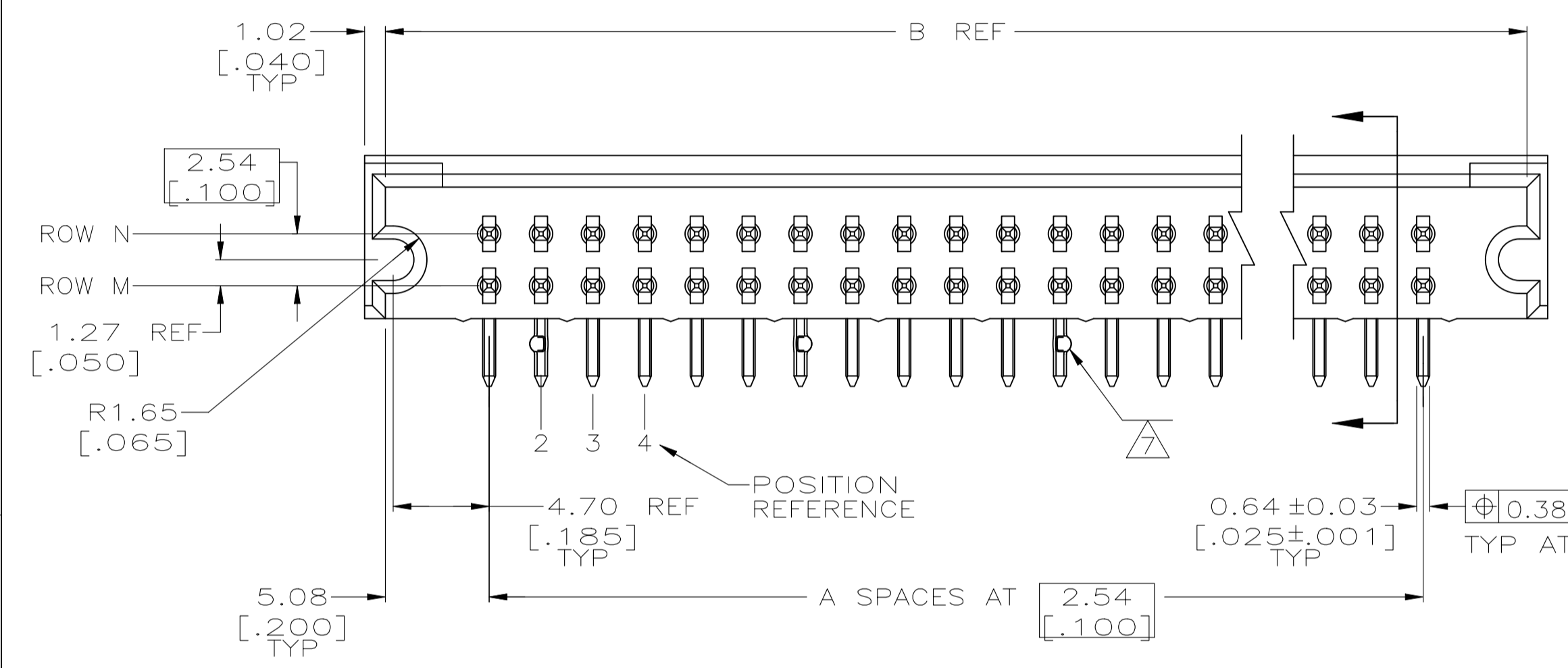
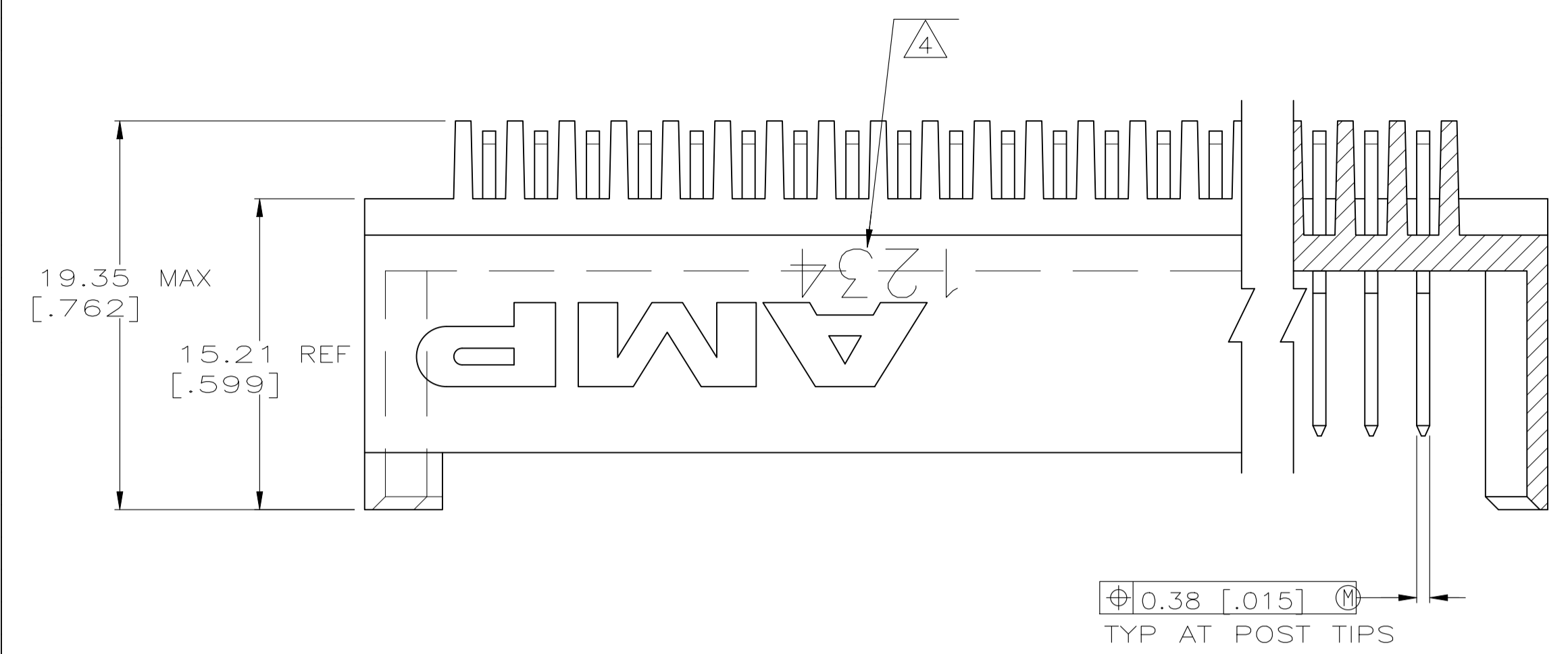
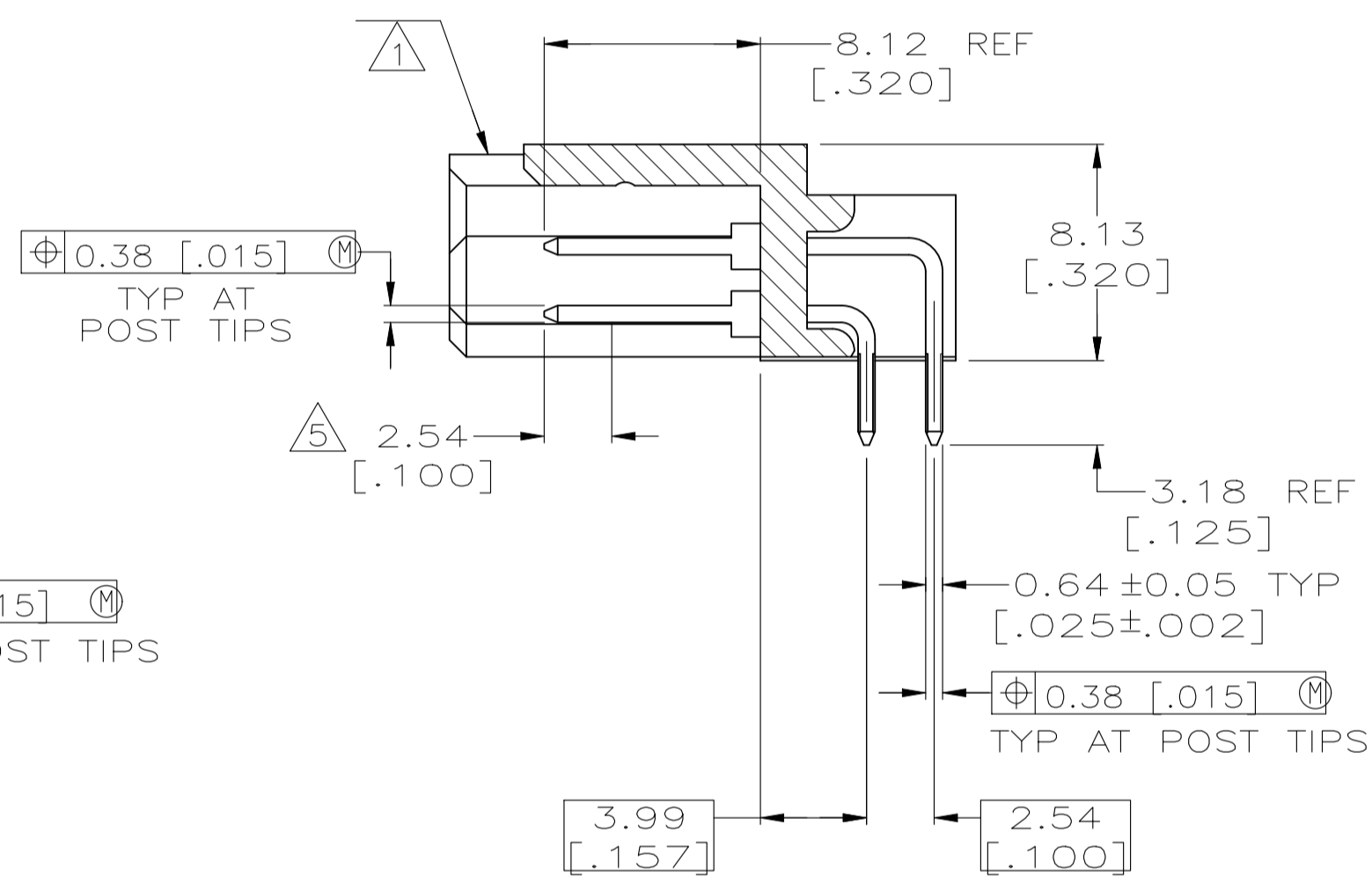


REVISIONS				
P	LTR	DESCRIPTION	DATE	BY
J3	ECR-25-238910		10APR2025	ABS PS



RECOMMENDED P.C. BOARD HOLE LAYOUT



- 1 HOUSING: FLAME RETARDANT THERMOPLASTIC; COLOR: BLACK.
- 2 POST: PHOSPHOR BRONZE
- 3 POST FINISH: 0.00076 [.000030] GOLD ON CONTACT AREA, 0.00254 [.000100] MIN BRIGHT TIN-LEAD ON SOLDER LEADS, ALL OVER 0.00127 [.000050] NICKEL.
- 4 RECESSED DATE CODE.
- 5 POINT OF MEASUREMENT FOR GOLD PLATING THICKNESS.
- 6 CSA LOGO RECESS STAMPED ON HOUSING.
- 7 BOARD RETENTION FEATURE WHERE INDICATED.
- 8 POST FINISH: 0.00076 [.000030] GOLD ON CONTACT AREA, 0.00254 [.000100] MIN MATTE TIN ON SOLDER LEADS, ALL OVER 0.00127 [.000050] NICKEL.
- 9 ROHS 2002/95/EC COMPLIANT
- 10 OBSOLETE PARTS: OBSOLETE CIS STREAMLINING PER D.RENAUD/D.SINISI

FINISH	ROW M	ROW N	B	A	NO OF POSN	PART NUMBER
OBSOLETE	2, 22, 43, 64	2, 22, 43, 64	172.72 [6.800]	64	130	6-534245-3
OBSOLETE	2, 18, 37, 54	2, 18, 37, 54	147.32 [5.800]	54	110	6-534245-2
OBSOLETE	2, 17, 33, 49	2, 17, 33, 49	134.62 [5.300]	49	100	6-534245-1
OBSOLETE	2, 20, 39	2, 20, 39	109.22 [4.300]	39	80	6-534245-0
OBSOLETE	2, 18, 34	2, 18, 34	96.52 [3.800]	34	70	5-534245-9
OBSOLETE	4, 9, 14	4, 9, 14	53.34 [2.100]	17	36	5-534245-8
OBSOLETE	5, 6, 7	5, 6, 7	38.10 [1.500]	11	24	5-534245-7
OBSOLETE	4, 5, 6	4, 5, 6	33.02 [1.300]	9	20	5-534245-6
OBSOLETE	2, 3, 4	2, 3, 4	22.86 [.900]	5	12	5-534245-5
OBSOLETE	3, 4, 5	3, 4, 5	27.94 [1.100]	7	16	5-534245-4
OBSOLETE	2, 20, 40, 59	2, 20, 40, 59	160.02 [6.300]	59	120	5-534245-3
OBSOLETE	3, 8, 13	3, 8, 13	45.72 [1.800]	14	30	5-534245-2
OBSOLETE	8, 13, 18	8, 13, 18	71.12 [2.800]	24	50	5-534245-1
OBSOLETE	2, 22, 43, 64	2, 22, 43, 64	172.72 [6.800]	64	130	1-534245-3
OBSOLETE	2, 18, 37, 54	2, 18, 37, 54	147.32 [5.800]	54	110	1-534245-2
OBSOLETE	2, 17, 33, 49	2, 17, 33, 49	134.62 [5.300]	49	100	1-534245-1
OBSOLETE	2, 20, 39	2, 20, 39	109.22 [4.300]	39	80	1-534245-0
OBSOLETE	2, 18, 34	2, 18, 34	96.52 [3.800]	34	70	534245-9
OBSOLETE	4, 9, 14	4, 9, 14	53.34 [2.100]	17	36	534245-8
OBSOLETE	5, 6, 7	5, 6, 7	38.10 [1.500]	11	24	534245-7
OBSOLETE	4, 5, 6	4, 5, 6	33.02 [1.300]	9	20	534245-6
OBSOLETE	2, 3, 4	2, 3, 4	22.86 [.900]	5	12	534245-5
OBSOLETE	3, 4, 5	3, 4, 5	27.94 [1.100]	7	16	534245-4
OBSOLETE	2, 20, 40, 59	2, 20, 40, 59	160.02 [6.300]	59	120	534245-3
OBSOLETE	3, 8, 13	3, 8, 13	45.72 [1.800]	14	30	534245-2
OBSOLETE	8, 13, 18	8, 13, 18	71.12 [2.800]	24	50	534245-1

SUPERSEDED BY 5-534245-6

SUPERSEDED BY 5-534245-2

THIS DRAWING IS A CONTROLLED DOCUMENT. DIN K.L.CLOUSER/UTA 2/15/91  
CHK DOUG SARVER 3/3/91

**TE** TE Connectivity

DIMENSIONS: INCHES	TOLERANCES UNLESS OTHERWISE SPECIFIED:	PRODUCT SPEC	NAME
0. PLC ± -	1. PLC ± -	2. PLC ± 0.13 [.005]	3. PLC ± -
4. PLC ± -	ANGLES ± -	APPLICATION SPEC	SIZE
MATERIAL	FINISH	WEIGHT	SCALE
	SEE TABLE	A1 00779	4:1

PRODUCT NAME: HEADER ASSY, MOD II, DOUBLE ROW, 2.54 X 2.54 [.100 X .100] 0.64 [.025] SQ POST, RIGHT ANGLE, W/ GUIDE PINS & RETENTION FEATURE

CUSTOMER DRAWING: A1 00779 C=534245 SCALE: 4:1 SHEET 1 OF 1 REV J3