

MATERIALS AND FINISH

BODY: BRASS
PLATED TIN

CENTER CONTACT: BERYLLIUM COPPER
PLATED GOLD

CONTACT: BRASS
PLATED GOLD

INSULATOR: TEFLON

JAM NUT: BRASS
PLATED NICKEL

WASHER: PHOSPHOR BRONZE
PLATED NICKEL

ELECTRICAL CHARACTERISTICS:

FREQUENCY RANGE: DC TO 12 GHZ.
NOMINAL IMPEDANCE: 75Ω
RF RETURN LOSS:
CONNECTOR ONLY (MODEL BASED)

FREQUENCY	MIN RL
0-6 GHz	30 dB
6-12 GHz	20 dB

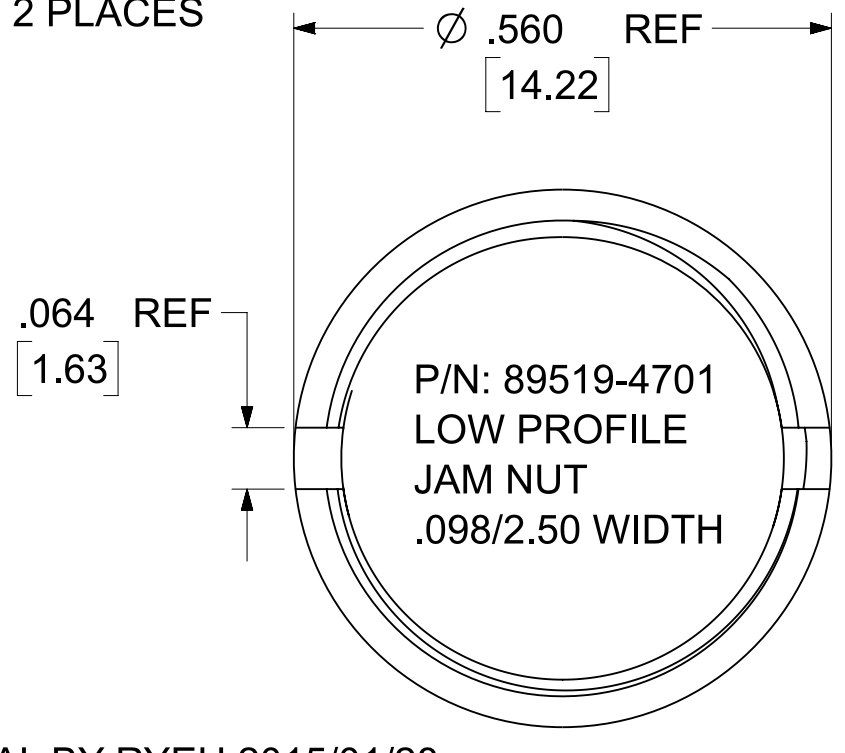
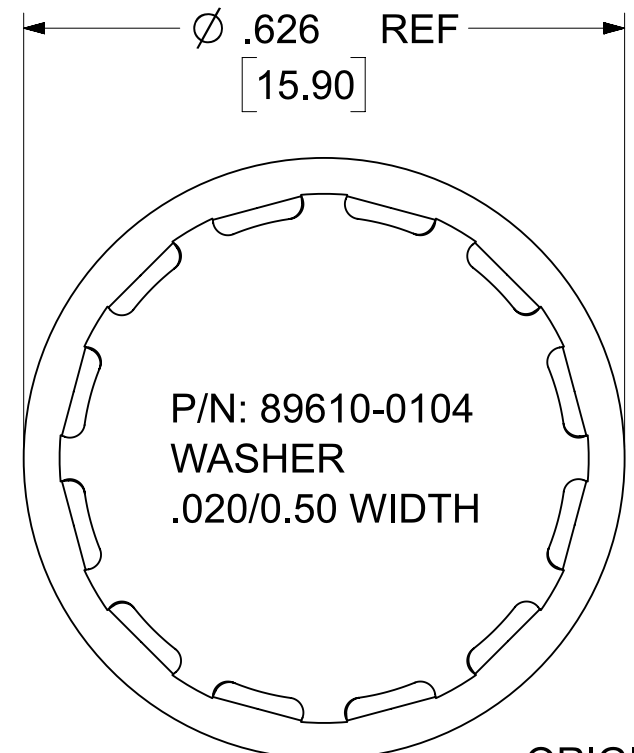
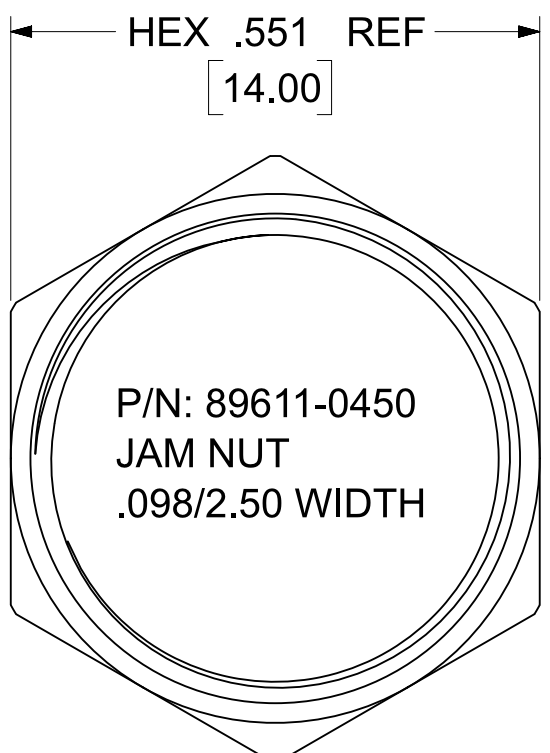
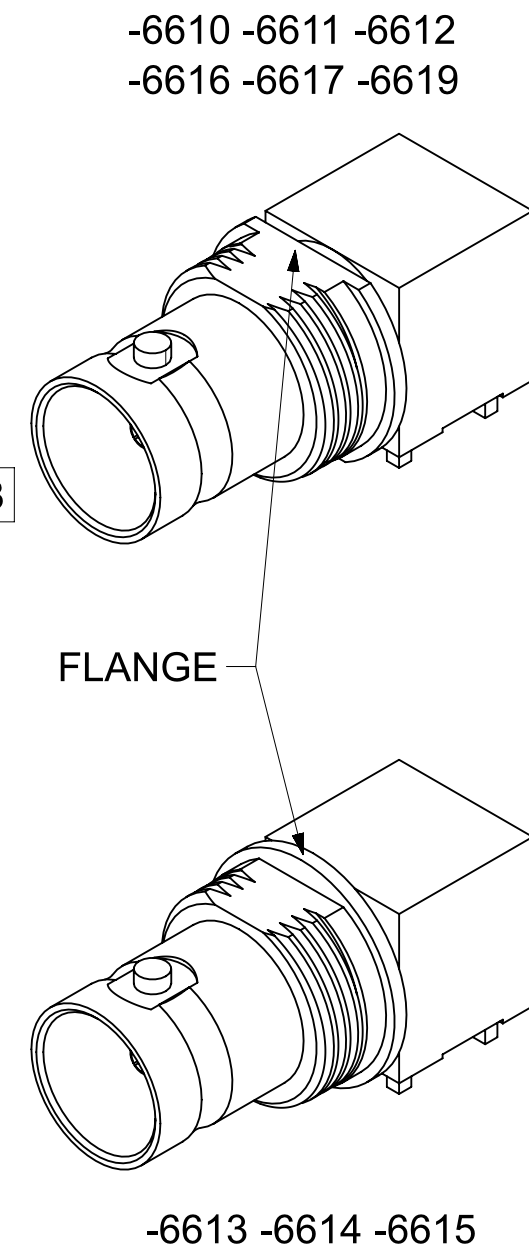
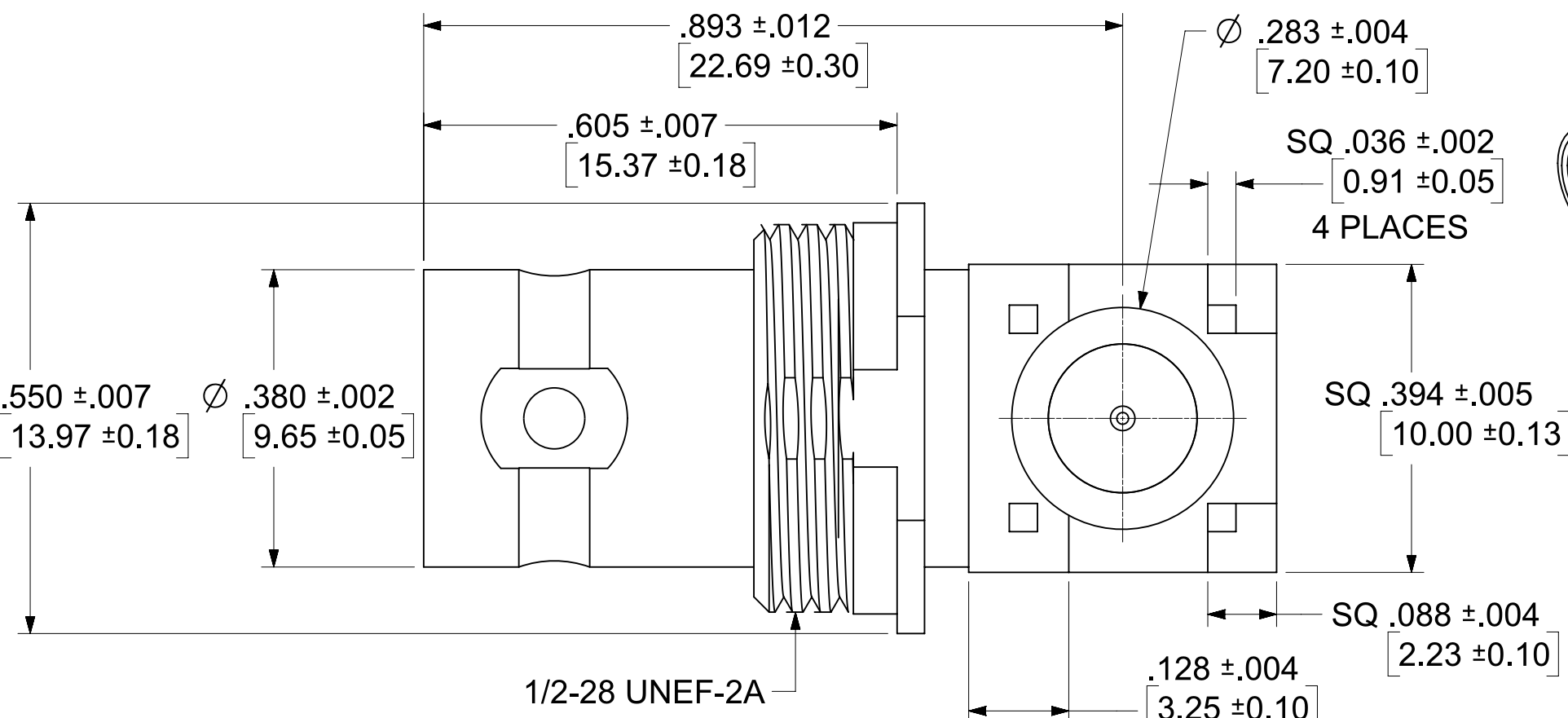
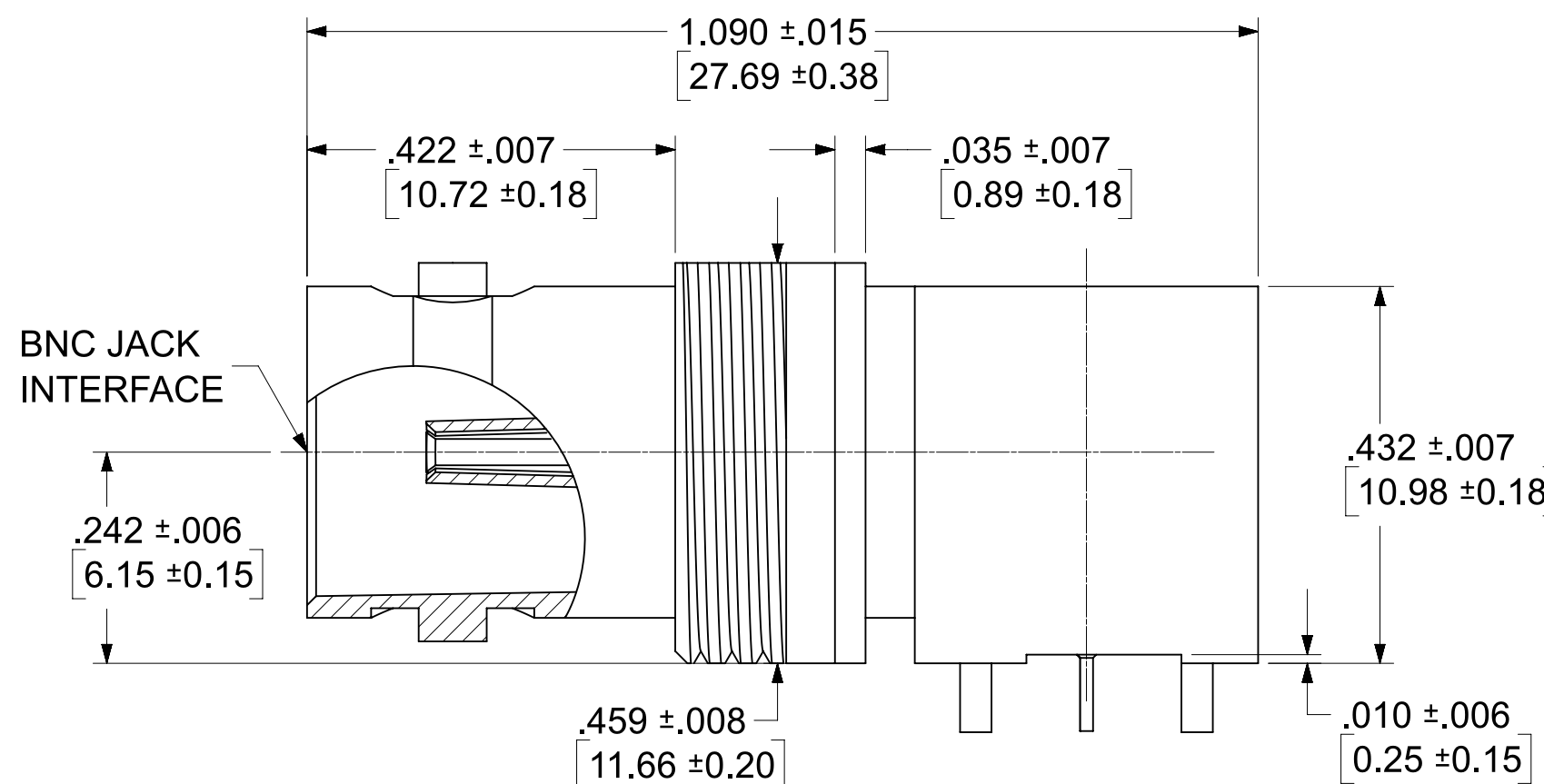
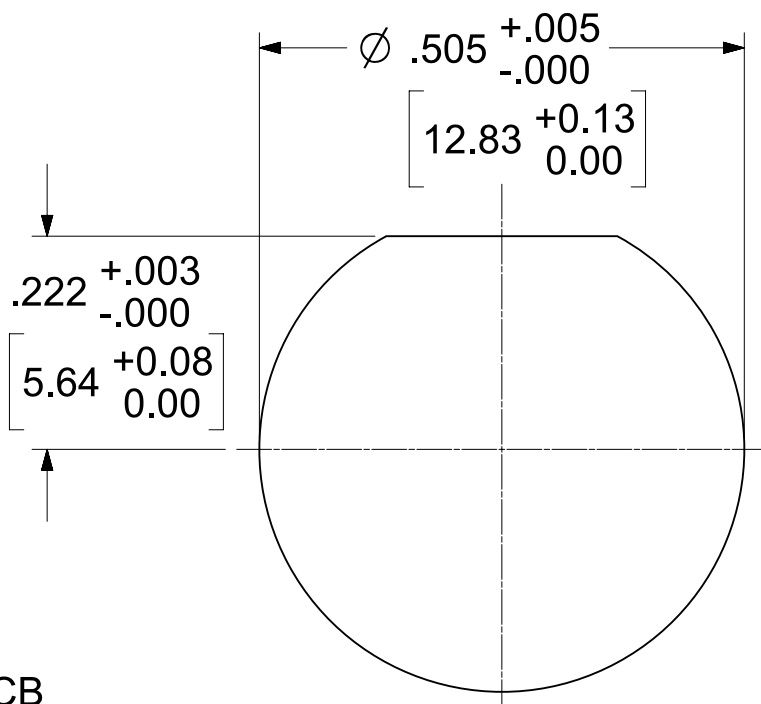
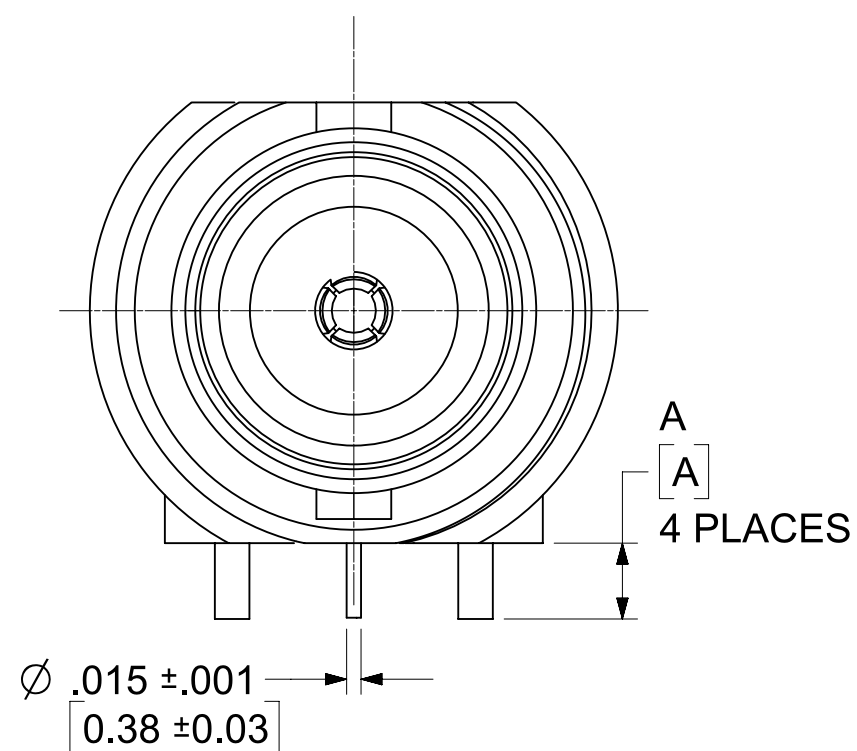
CONNECTOR WITH PCB LAUNCH
(MEASURED DATA WITH OPTIMIZED PCB
LAUNCH, FOR REFERENCE ONLY)

FREQUENCY	MIN RL
0-6 GHz	22 dB
6-12 GHz	16 dB

RF INSERTION LOSS: 0.5 dB MAX

73171-6619	SAME AS 73171-6611 in 960pcs MOQ				
73171-6618			NOT INCLUDE	NOT INCLUDE	TRAY
73171-6617	.083±.007	2.10±0.18	89519-4701	89610-0104	
73171-6616			89611-0450		
73171-6612			NOT INCLUDE	NOT INCLUDE	
73171-6611	.079±.007	2.01±0.18	89519-4701	89610-0104	
73171-6610			89611-0450		
PART NO.	IN	MM	JAM NUT	WASHER	PACKAGING
	DIM A (IN/MM)				

MIL-STD-348B, FIG. 330-1	INTERFACE
SPECIFICATION	DESCRIPTION



ORIGINAL BY RYEH 2015/01/28

FUNCTIONAL SYMBOLS FA = 0 EC = 0 EP = 0 DIVISIONAL SYMBOLS	THIS DRAWING CONTAINS INFORMATION THAT IS PROPRIETARY TO MOLEX ELECTRONIC TECHNOLOGIES, LLC AND SHOULD NOT BE USED WITHOUT WRITTEN PERMISSION		CURRENT REV DESC: ADD PN 73171-6619 PER EWR17244-A		
	DIMENSION UNITS	SCALE	STATUS: Production		
	HYBRID	NTS	DRWN: Cela Wei	2025-06-03	DOCUMENT NUMBER
	GENERAL TOLERANCES (UNLESS SPECIFIED)		CHK'D: Kerrie Chen	2025-06-17	DOC TYPE
ANGULAR TOL ± 2°		APPR: YCHENG	2025-06-17	DOC PART	
4 PLACES	±			REVISION	
3 PLACES	±			SD-73171-661	
2 PLACES	±			PSD	
1 PLACE	±			001	
0 PLACES	±			C4	
DRAFT WHERE APPLICABLE MUST REMAIN WITHIN DIMENSIONS		THIRD ANGLE PROJECTION	DRAWING	SERIES	MATERIAL NUMBER
			C-SIZE	73171	SEE TABLE
					CUSTOMER
					GENERAL MARKET
					SHEET NUMBER
					1 OF 6



BNC JACK R/A PCB TH
75 OHMS DC-12GHZ BNC-J/PCB

PRODUCT CUSTOMER DRAWING

DOCUMENT NUMBER	DOC TYPE	DOC PART	REVISION
SD-73171-661	PSD	001	C4
MATERIAL NUMBER	CUSTOMER	SHEET NUMBER	
SEE TABLE	GENERAL MARKET	1 OF 6	

MATERIALS AND FINISH

BODY: BRASS
PLATED TIN

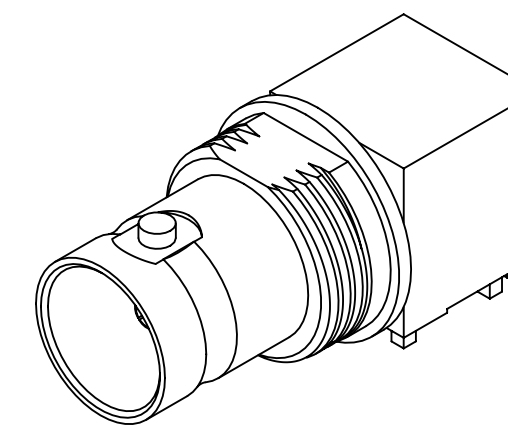
CENTER CONTACT: BERYLLIUM COPPER
PLATED GOLD

CONTACT: BRASS
PLATED GOLD

INSULATOR: TEFLON

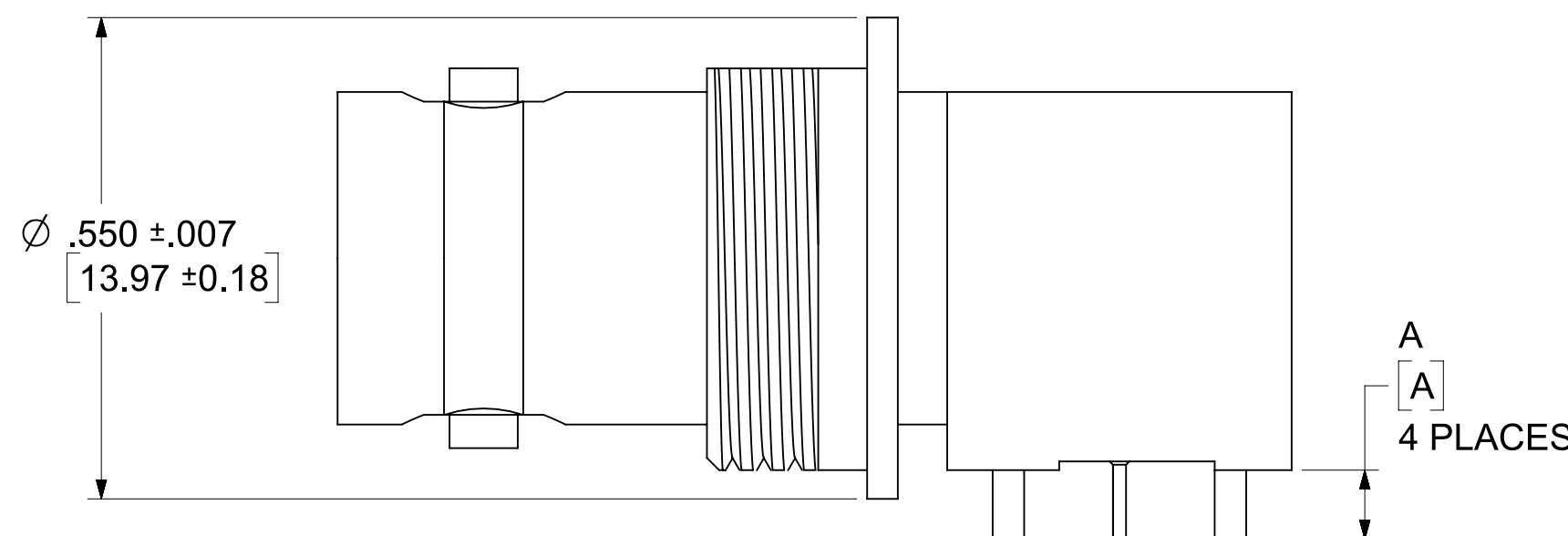
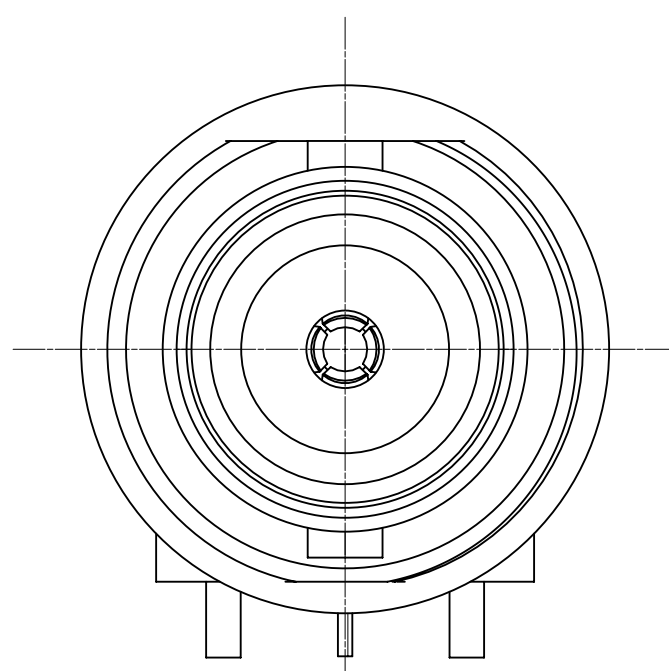
JAM NUT: BRASS
PLATED NICKEL

WASHER: PHOSPHOR BRONZE
PLATED NICKEL



ELECTRICAL CHARACTERISTICS:

FREQUENCY RANGE: DC TO 12 GHZ.
NOMINAL IMPEDANCE: 75Ω
RF RETURN LOSS:
CONNECTOR ONLY (MODEL BASED)



FREQUENCY	MIN RL
0-6 GHz	30 dB
6-12 GHz	20 dB

CONNECTOR WITH PCB LAUNCH
(MEASURED DATA WITH OPTIMIZED PCB
LAUNCH, FOR REFERENCE ONLY)

FREQUENCY	MIN RL
0-6 GHz	22 dB
6-12 GHz	16 dB

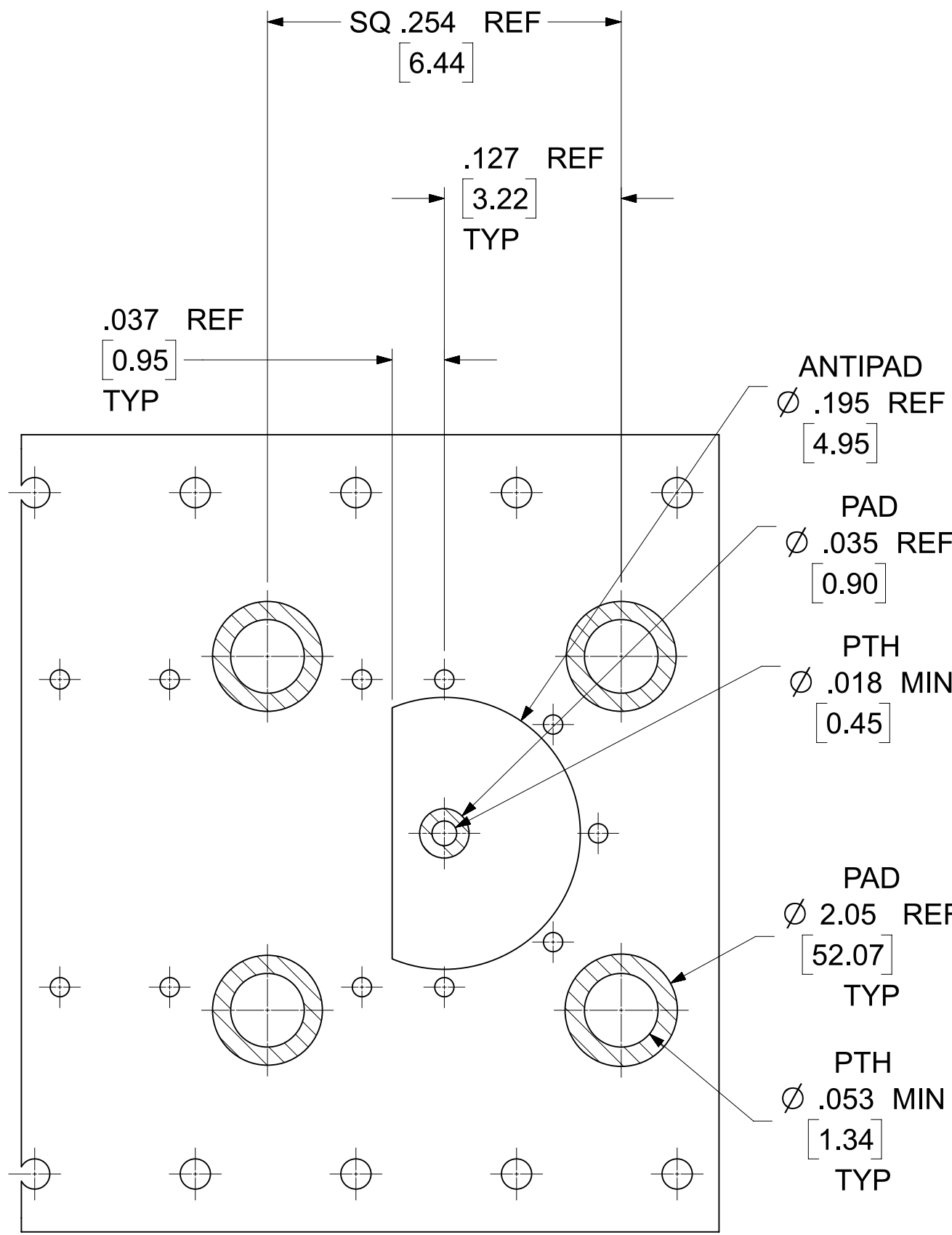
RF INSERTION LOSS: 0.5 dB MAX

ALL DIMENSIONS AND HARDWARE OF 73171-6613 THRU -6615 ARE THE SAME
AS 73171-6610 THRU -6612 EXCEPT FLANGE

73171-6615			NOT INCLUDE	NOT INCLUDE	TRAY
73171-6614	.079±.007	2.01±0.18	89519-4701	89610-0104	
73171-6613			89611-0450		
PART NO.	IN	MM	JAM NUT	WASHER	PACKAGING
	DIM A				

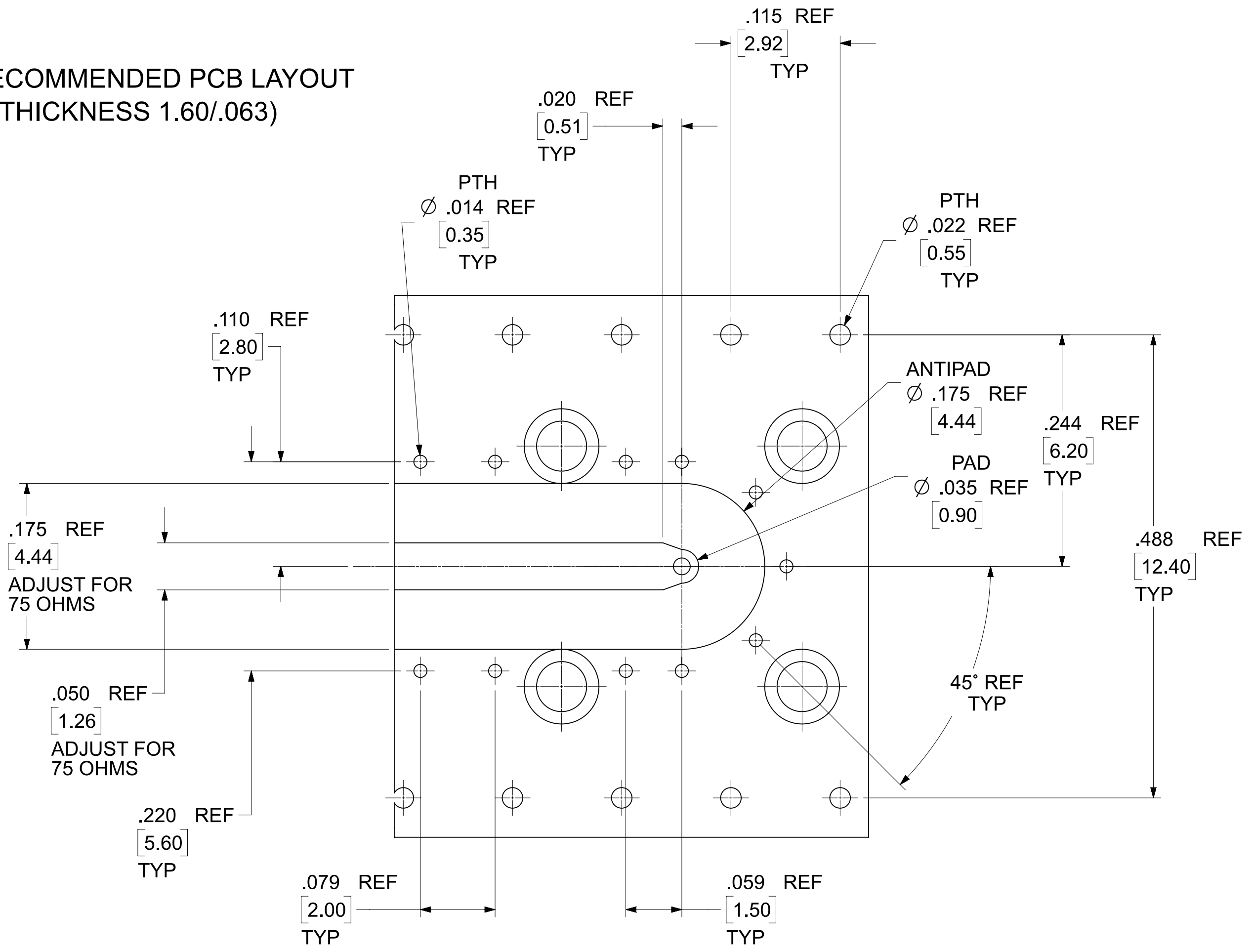
FUNCTIONAL SYMBOLS $\overline{FA} = 0$ $\overline{FC} = 0$ $\overline{FP} = 0$ DIVISIONAL SYMBOLS	THIS DRAWING CONTAINS INFORMATION THAT IS PROPRIETARY TO MOLEX ELECTRONIC TECHNOLOGIES, LLC AND SHOULD NOT BE USED WITHOUT WRITTEN PERMISSION		CURRENT REV DESC: ADD PN 73171-6619 PER EWR17244-A				
	DIMENSION UNITS	SCALE	GENERAL TOLERANCES (UNLESS SPECIFIED)				
	HYBRID	NTS	ANGULAR TOL ± 2'				
	4 PLACES	±	3 PLACES ±				
			2 PLACES ±	1 PLACE ±	0 PLACES ±		
DRAFT WHERE APPLICABLE MUST REMAIN WITHIN DIMENSIONS		THIRD ANGLE PROJECTION	DRAWING	SERIES	MATERIAL NUMBER	CUSTOMER	SHEET NUMBER
			C-SIZE	73171	SEE TABLE	GENERAL MARKET	2 OF 6

molex			
BNC JACK R/A PCB TH 75 OHMS DC-12GHZ BNC-J/PCB			
PRODUCT CUSTOMER DRAWING			
DOCUMENT NUMBER	DOC TYPE	DOC PART	REVISION
SD-73171-661	PSD	001	C4



TOP VIEW

RECOMMENDED PCB LAYOUT
(THICKNESS 1.60/.063)



BOTTOM VIEW

FUNCTIONAL SYMBOLS $\frac{F}{A} = 0$ $\frac{F}{C} = 0$ $\frac{F}{P} = 0$ DIVISIONAL SYMBOLS 3 PLACES ± 2 PLACES ± 1 PLACE ± 0 PLACES ±	THIS DRAWING CONTAINS INFORMATION THAT IS PROPRIETARY TO MOLEX ELECTRONIC TECHNOLOGIES, LLC AND SHOULD NOT BE USED WITHOUT WRITTEN PERMISSION		CURRENT REV DESC: ADD PN 73171-6619 PER EWR17244-A	
	DIMENSION UNITS	SCALE		
	HYBRID	NTS		
	GENERAL TOLERANCES (UNLESS SPECIFIED)			
	ANGULAR TOL ± 2°			
DRAFT WHERE APPLICABLE MUST REMAIN WITHIN DIMENSIONS		THIRD ANGLE PROJECTION	DRAWING	SERIES
			C-SIZE	73171
		STATUS: Production	DRWN: Cela Wei	2025-06-03
		CHK'D: Kerrie Chen	APPR: YCHENG	2025-06-17
				2025-06-17
		MATERIAL NUMBER		CUSTOMER
		SEE TABLE		GENERAL MARKET
		DOCUMENT NUMBER		DOC TYPE DOC PART REVISION
		SD-73171-661		PSD 001 C4
		SHEET NUMBER		
		3 OF 6		

molex

BNC JACK R/A PCB TH
75 OHMS DC-12GHZ BNC-J/PCB

PRODUCT CUSTOMER DRAWING

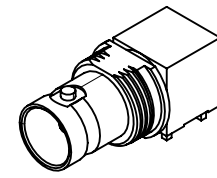
DOCUMENT NUMBER | DOC TYPE | DOC PART | REVISION

SD-73171-661 | PSD | 001 | C4

MATERIAL NUMBER | CUSTOMER

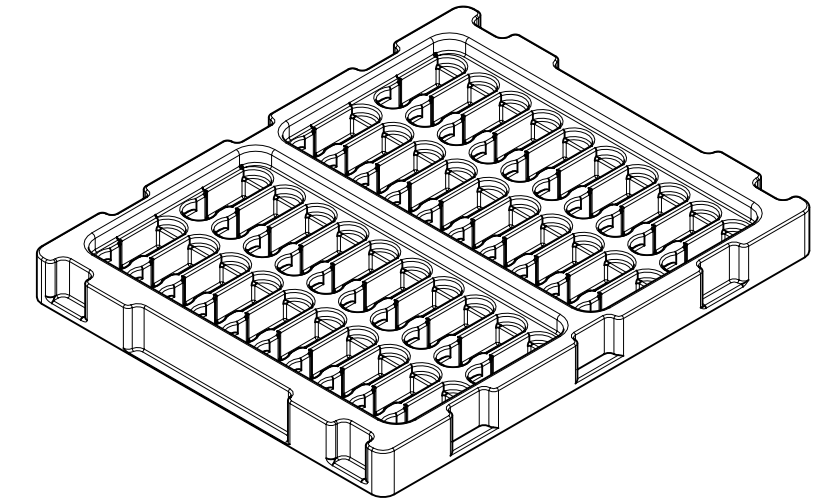
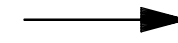
SEE TABLE | GENERAL MARKET | SHEET NUMBER

3 OF 6

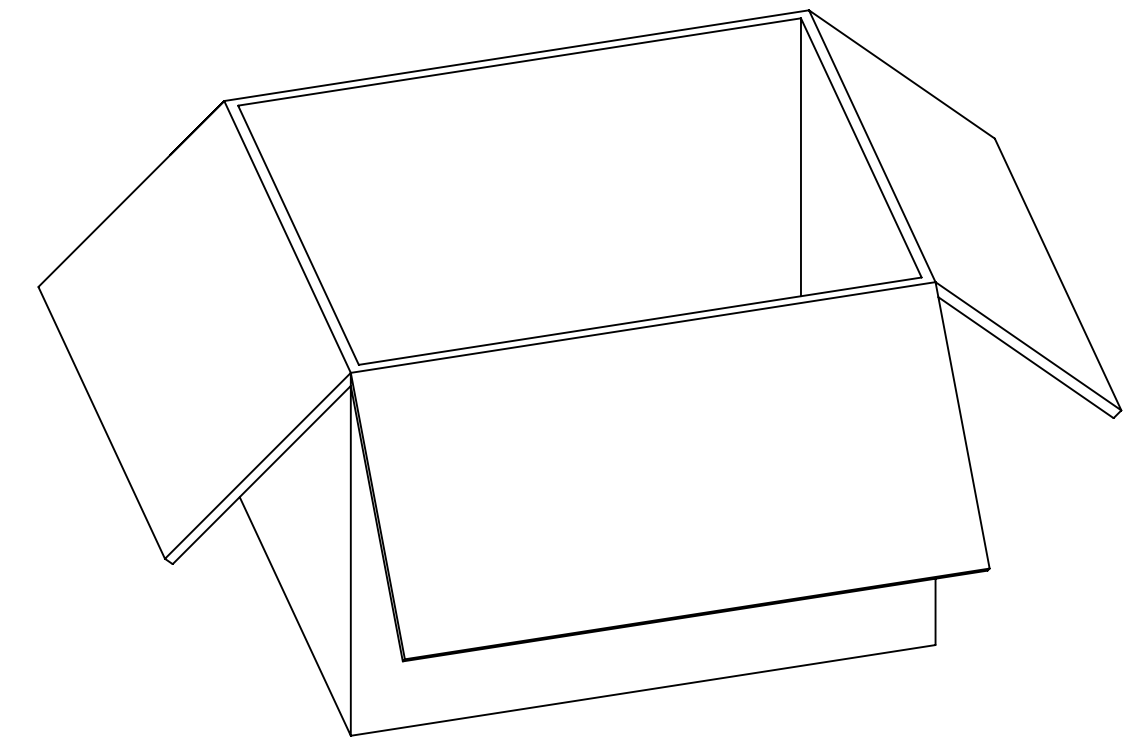
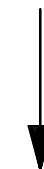


P/N: 73171-6610 -6611 -6612 -6619

73171-6619	SAME AS 73171-6611		TRAY	480	960
73171-6612	NOT INCLUDE	NOT INCLUDE		480	480
73171-6611	89519-4701	89610-0104		480	480
73171-6610	89611-0450			480	480
PART NO.	JAM NUT	WASHER	PACKAGING	DU	MOQ

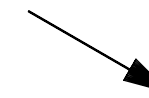


40 SETS PER TRAY
P/N: 89707-0169



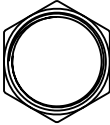
480 SETS PER OUTER
CARTON BOX
P/N: 89499-9027

FOR 73171-6610



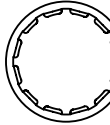
FOR 73171-6611
73171-6619





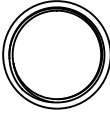
P/N: 89611-0450

480 SETS PER BAG
P/N: 89707-0001



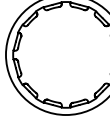
P/N: 89610-0104

480 SETS PER BAG
P/N: 89707-0001



P/N: 89519-4701

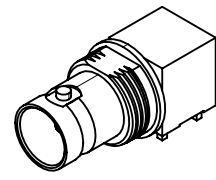
480 SETS PER BAG
P/N: 89707-0001



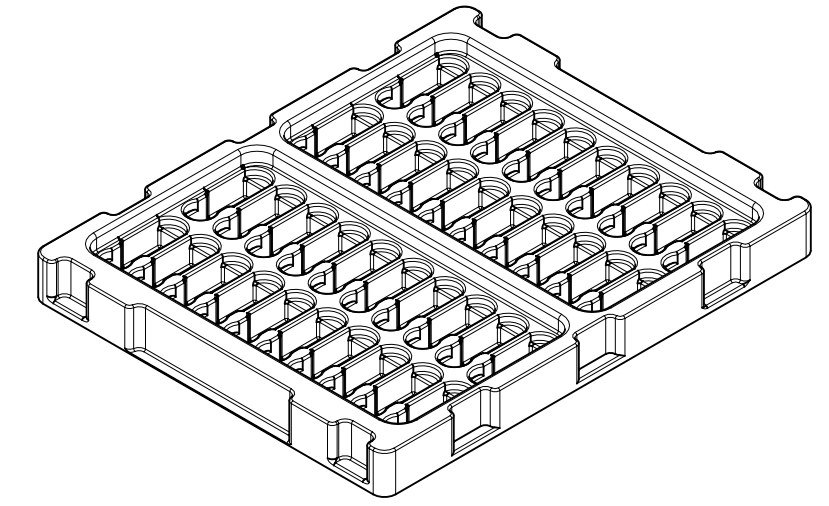
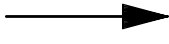
P/N: 89610-0104

480 SETS PER BAG
P/N: 89707-0001

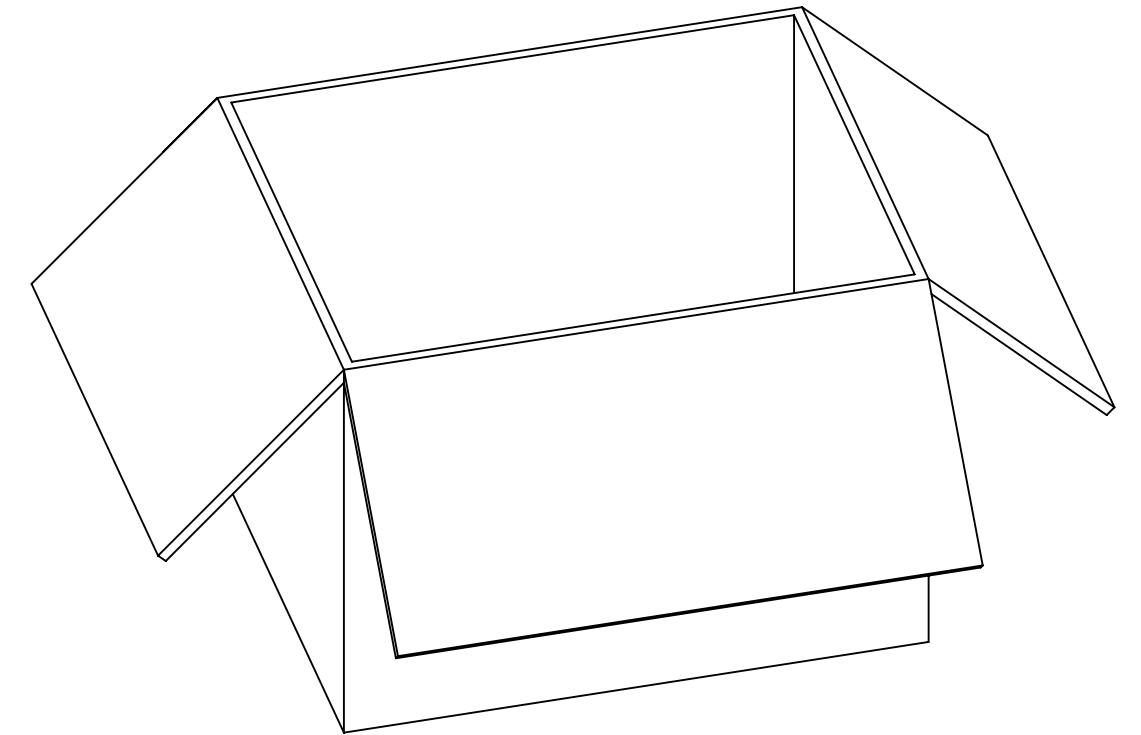
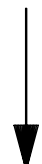
FUNCTIONAL SYMBOLS $\nabla_A = 0$ $\nabla_C = 0$ $\nabla_P = 0$	THIS DRAWING CONTAINS INFORMATION THAT IS PROPRIETARY TO MOLEX ELECTRONIC TECHNOLOGIES, LLC AND SHOULD NOT BE USED WITHOUT WRITTEN PERMISSION		CURRENT REV DESC: ADD PN 73171-6619 PER EWR17244-A		
	DIMENSION UNITS	SCALE	molex BNC JACK R/A PCB TH 75 OHMS DC-12GHZ BNC-J/PCB PRODUCT CUSTOMER DRAWING		
	HYBRID	NTS			
	GENERAL TOLERANCES (UNLESS SPECIFIED)				
ANGULAR TOL $\pm 2'$		STATUS: Production			
4 PLACES \pm		DRWN: Cela Wei			
3 PLACES \pm		CHK'D: Kerrie Chen			
2 PLACES \pm		APPR: YCHENG			
1 PLACE \pm		2025-06-03			
0 PLACES \pm		2025-06-17			
DRAFT WHERE APPLICABLE MUST REMAIN WITHIN DIMENSIONS		THIRD ANGLE PROJECTION	DRAWING	SERIES	DOCUMENT NUMBER
			C-SIZE	73171	SD-73171-661
		CUSTOMER		DOC TYPE	DOC PART
		GENERAL MARKET		PSD	001
		SHEET NUMBER		REVISION	C4
		4 OF 6			



P/N: 73171-6613 -6614 -6615



40 SETS PER TRAY
P/N: 89707-0169



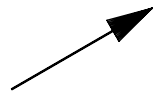
480 SETS PER OUTER
CARTON BOX
P/N: 89499-9027

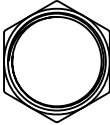
73171-6615	NOT INCLUDE	NOT INCLUDE		480	480
73171-6614	89519-4701	89610-0104	TRAY	480	480
73171-6613	89611-0450			480	480
PART NO.	JAM NUT	WASHER	PACKAGING	DU	MOQ

FOR 73171-6613



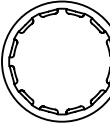
FOR 73171-6614





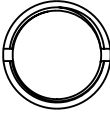
P/N: 89611-0450

480 SETS PER BAG
P/N: 89707-0001



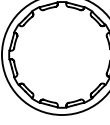
P/N: 89610-0104

480 SETS PER BAG
P/N: 89707-0001



P/N: 89519-4701

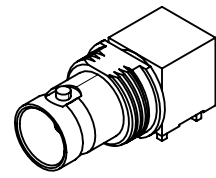
480 SETS PER BAG
P/N: 89707-0001



P/N: 89610-0104

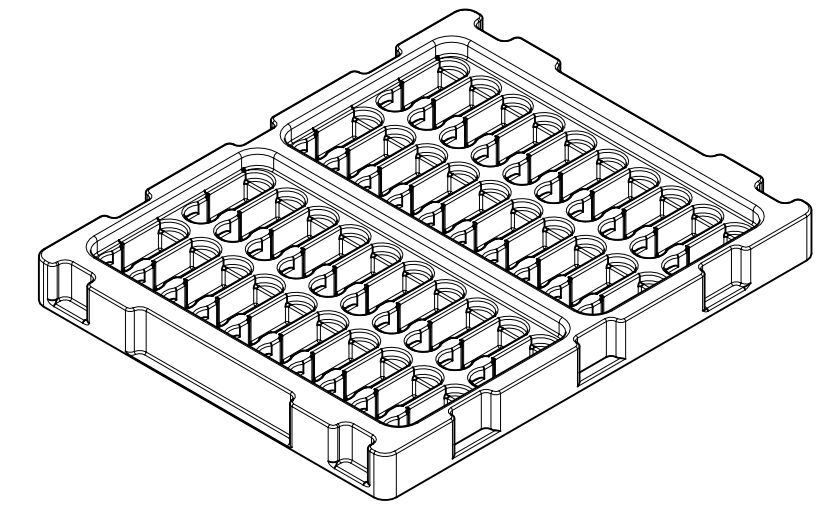
480 SETS PER BAG
P/N: 89707-0001

FUNCTIONAL SYMBOLS $\nabla_A = 0$ $\nabla_C = 0$ $\nabla_P = 0$	THIS DRAWING CONTAINS INFORMATION THAT IS PROPRIETARY TO MOLEX ELECTRONIC TECHNOLOGIES, LLC AND SHOULD NOT BE USED WITHOUT WRITTEN PERMISSION		CURRENT REV DESC: ADD PN 73171-6619 PER EWR17244-A					
	DIMENSION UNITS	SCALE	molex BNC JACK R/A PCB TH 75 OHMS DC-12GHZ BNC-J/PCB PRODUCT CUSTOMER DRAWING					
	HYBRID	NTS						
	GENERAL TOLERANCES (UNLESS SPECIFIED)							
ANGULAR TOL $\pm 2'$		STATUS: Production						
4 PLACES \pm		DRWN: Cela Wei						
3 PLACES \pm		CHK'D: Kerrie Chen						
2 PLACES \pm		APPR: YCHENG						
1 PLACE \pm		2025-06-03						
0 PLACES \pm		2025-06-17						
DRAFT WHERE APPLICABLE MUST REMAIN WITHIN DIMENSIONS		THIRD ANGLE PROJECTION	DRAWING	SERIES	DOCUMENT NUMBER	DOC TYPE	DOC PART	REVISION
			C-SIZE	73171	SD-73171-661	PSD	001	C4
					SEE TABLE	GENERAL MARKET		SHEET NUMBER
								5 OF 6

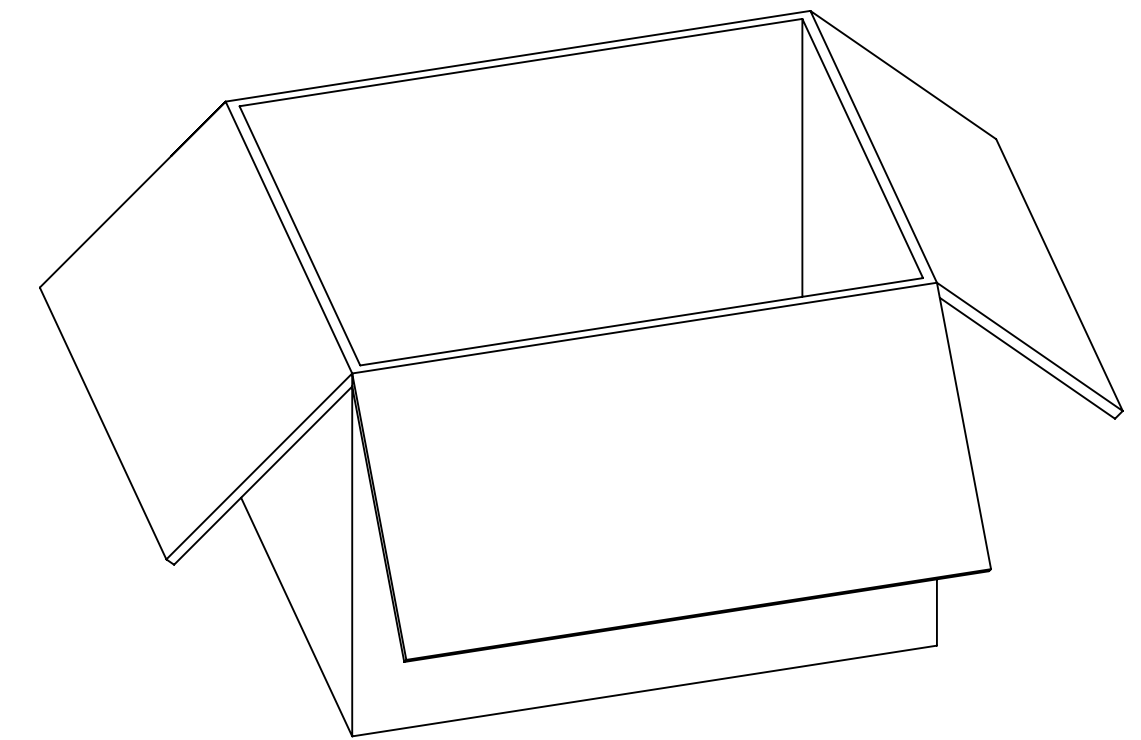
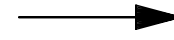


P/N: 73171-6616 -6617 -6618

73171-6618	NOT INCLUDE	NOT INCLUDE	TRAY	480	480
73171-6617	89519-4701	89610-0104		480	480
73171-6616	89611-0450			480	480
PART NO.	JAM NUT	WASHER	PACKAGING	DU	MOQ

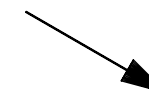


40 SETS PER TRAY
P/N: 89707-0169

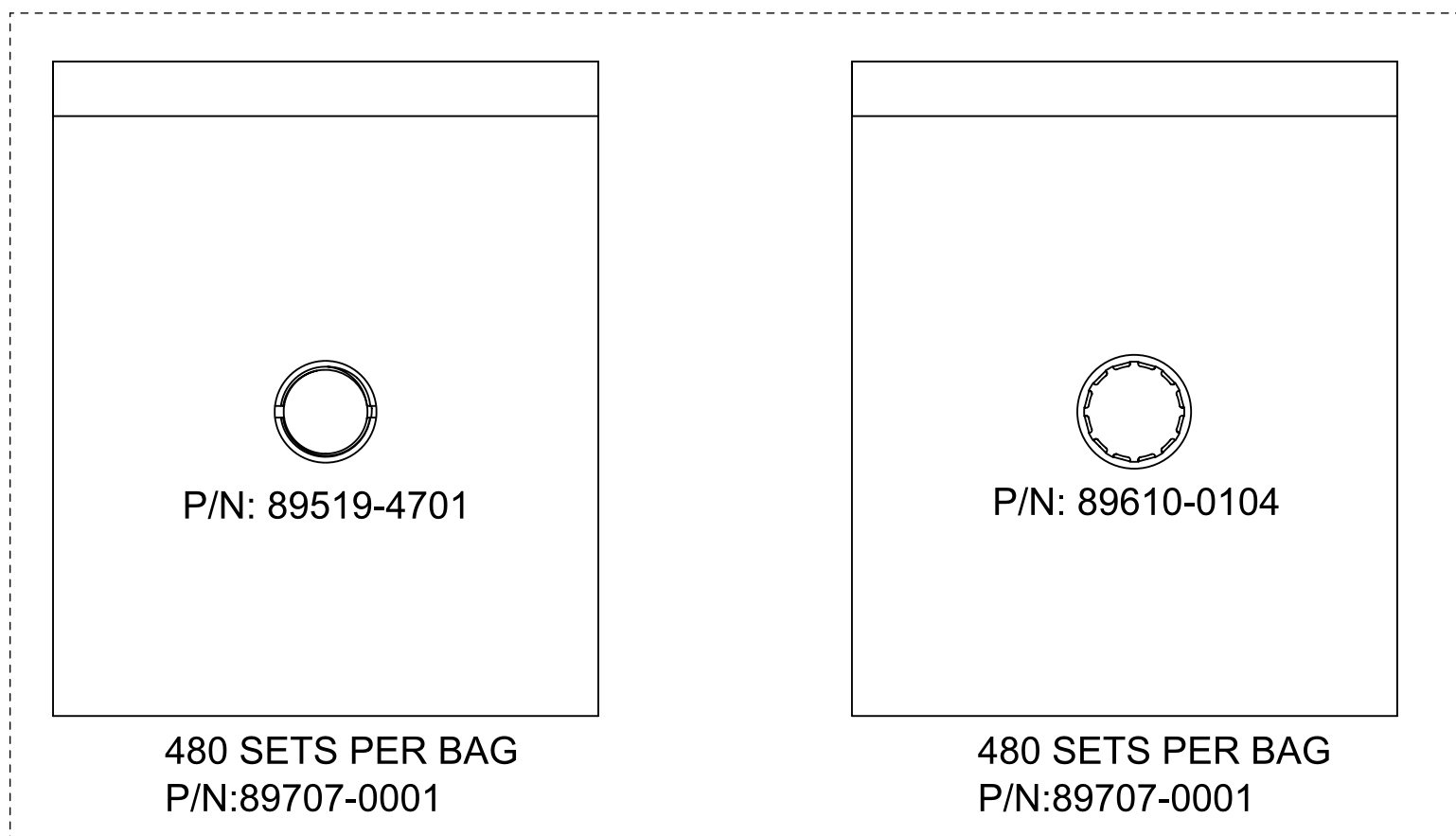
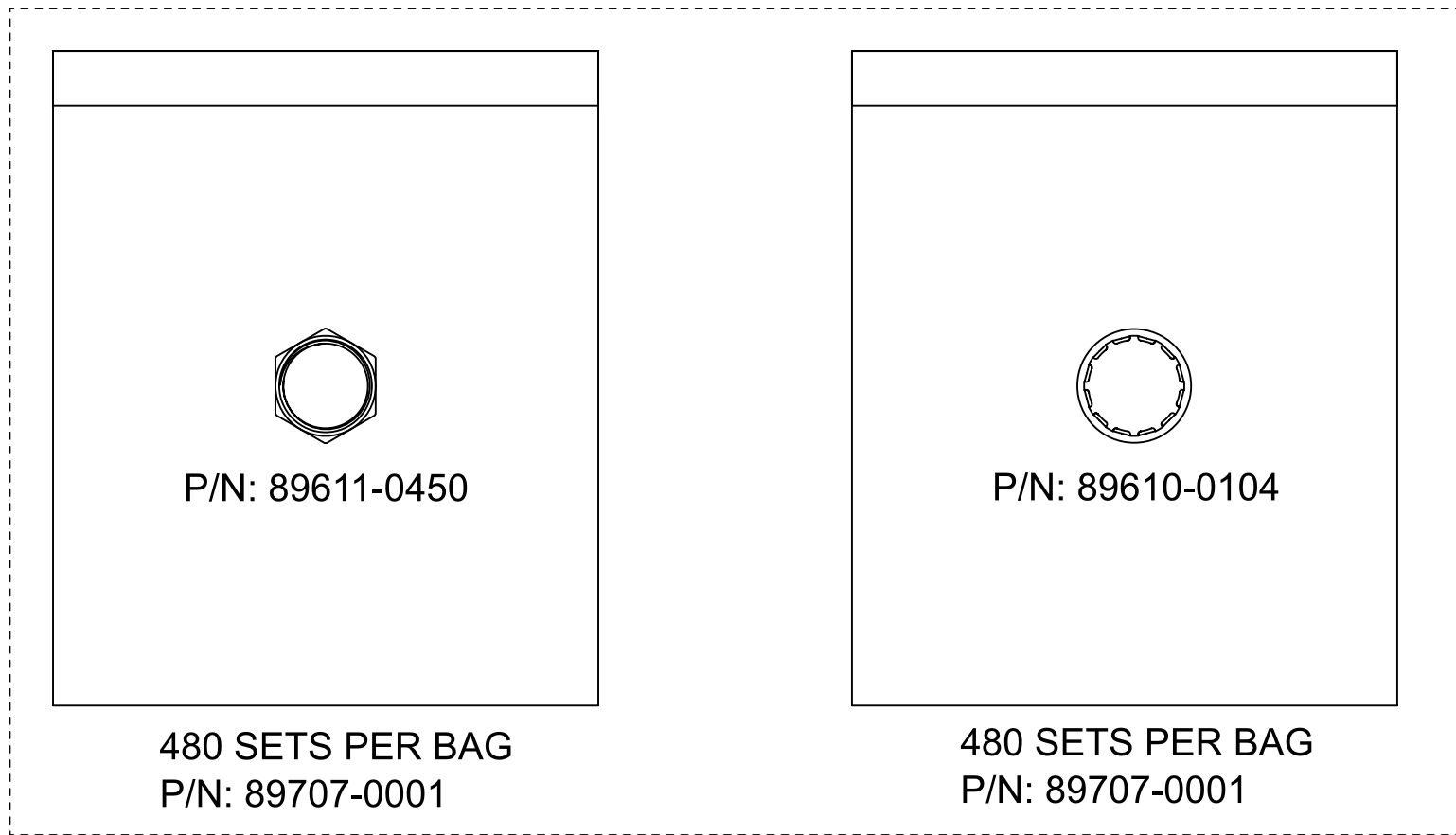
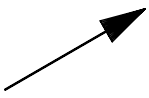


480 SETS PER OUTER
CARTON BOX
P/N: 89499-9027

FOR 73171-6616



FOR 73171-6617



FUNCTIONAL SYMBOLS $\nabla_A = 0$ $\nabla_C = 0$ $\nabla_P = 0$	THIS DRAWING CONTAINS INFORMATION THAT IS PROPRIETARY TO MOLEX ELECTRONIC TECHNOLOGIES, LLC AND SHOULD NOT BE USED WITHOUT WRITTEN PERMISSION		CURRENT REV DESC: ADD PN 73171-6619 PER EWR17244-A		
	DIMENSION UNITS	SCALE	molex BNC JACK R/A PCB TH 75 OHMS DC-12GHZ BNC-J/PCB PRODUCT CUSTOMER DRAWING		
	HYBRID	NTS			
	GENERAL TOLERANCES (UNLESS SPECIFIED)				
ANGULAR TOL $\pm 2^\circ$		STATUS: Production			
4 PLACES \pm		DRWN: Cela Wei			
3 PLACES \pm		CHK'D: Kerrie Chen			
2 PLACES \pm		APPR: YCHENG			
1 PLACE \pm		2025-06-03			
0 PLACES \pm		2025-06-17			
DRAFT WHERE APPLICABLE MUST REMAIN WITHIN DIMENSIONS		THIRD ANGLE PROJECTION	DRAWING	SERIES	DOCUMENT NUMBER
			C-SIZE	73171	SD-73171-661
					DOC TYPE
					PSD
					DOC PART
					001
					REVISION
					C4
					SHEET NUMBER
					6 OF 6