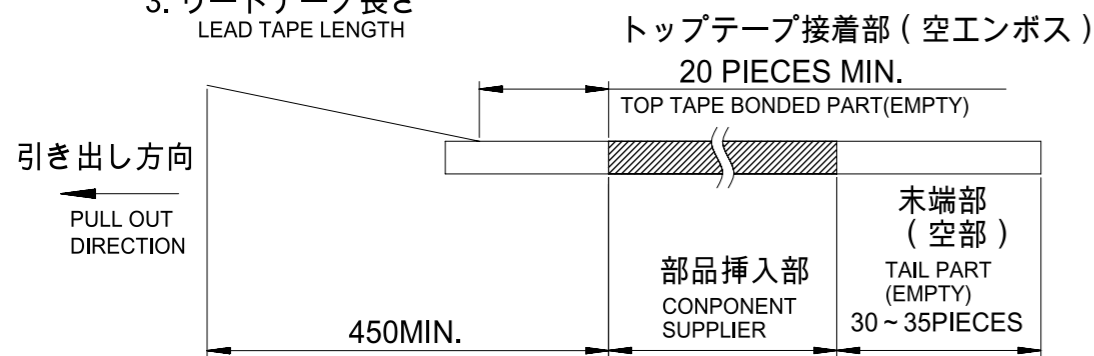


NOTES

- 製品詳細寸法は製品単体図面を参照して下さい。
FOR DETAIL OF CONNECTOR DIMENSIONS,
PLEASE SEE THE DRAWING OF CONNECTOR ITSELF (NOT PACKAGED).
- 梱包数量 : 1200個
NUMBER OF CONNECTORS : 1200 PIECES/REEL.
- リードテープ長さ
LEAD TAPE LENGTH



4. 材料 MATERIAL

キャリアテープ : ポリスチレン (PS)
CARRIER TAPE : POLYSTYRENE (PS)
トップテープ : ポリエステル (PET)、その他
TOP TAPE : POLYESTER (PET)、OTHER
リール : ポリスチレン (PS) <リサイクル材を含む>
REEL : POLYSTYRENE (PS) <RECYCLE MATERIAL CONTAINED>

- トップテープの剥離強度については、IEC60286-3に準拠
TOP TAPE PEEL FORCE IS DEFINED BY IEC60286-3.

49.4	45.4	20.2	44	504194167*	16
49.4	45.4	20.2	44	504194157*	15
49.4	45.4	20.2	44	504194147*	14
37.4	33.4	14.2	32	504194137*	13
37.4	33.4	14.2	32	504194127*	12
37.4	33.4	14.2	32	504194117*	11
37.4	33.4	14.2	32	504194107*	10
29.4	25.4	11.5	24	504194097*	9
29.4	25.4	11.5	24	504194087*	8
29.4	25.4	11.5	24	504194077*	7
29.4	25.4	11.5	24	504194067*	6
29.4	25.4	11.5	24	504194057*	5
29.4	25.4	11.5	24	504194047*	4
21.4	17.4	7.5	16	504194037*	3
21.4	17.4	7.5	16	504194027*	2
D	C	B	エンボステープ幅 WIDTH OF TAPE A	エンボス梱包 EMBOSSED TAPE PACKAGE オーダー番号 ORDER NO.	極数 CKT. NO.

THIS DRAWING CONTAINS INFORMATION THAT IS PROPRIETARY TO MOLEX ELECTRONIC TECHNOLOGIES, LLC AND SHOULD NOT BE USED WITHOUT WRITTEN PERMISSION


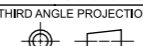
DIMENSION UNITS mm	SCALE 2:1	CURRENT REV DESC: REMOVED OBSOLETE PART NUMBERS AS PER PCN#516676	
GENERAL TOLERANCES (UNLESS SPECIFIED)		molex EMBOSSED TAPE PKG FOR 1.25 WTB SINGLE ST SMT PRODUCT CUSTOMER DRAWING	
ANGULAR TOL ± 1°			
4 PLACES	± 0.20000		
3 PLACES	± 0.2500		
2 PLACES	± 0.300		
1 PLACE	± 0.10	STATUS: Production	DRWN: Sampreet S Mirajkar
0 PLACES	±	CHK'D: Ganesh Rao B	2026-04-20
DRAFT WHERE APPLICABLE MUST REMAIN WITHIN DIMENSIONS		APPR: Gurunandan GA	2026-05-06
THIRD ANGLE PROJECTION	DRAWING	SERIES	MATERIAL NUMBER
A3-SIZE	504194	SEE CHART	GENERAL MARKET
DOCUMENT NUMBER		DOC TYPE	DOC PART
SD-504194-001		PSD	001
SHEET NUMBER		REVISION	
1 OF 2		A2	

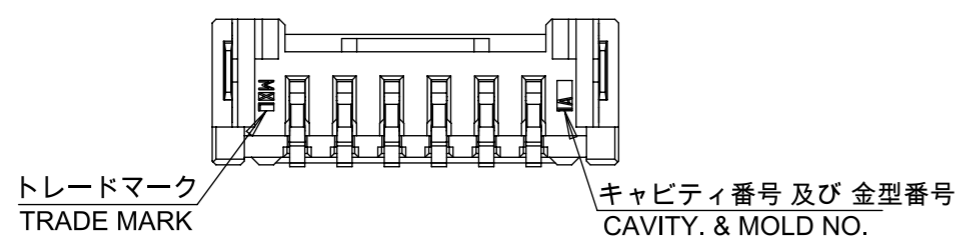
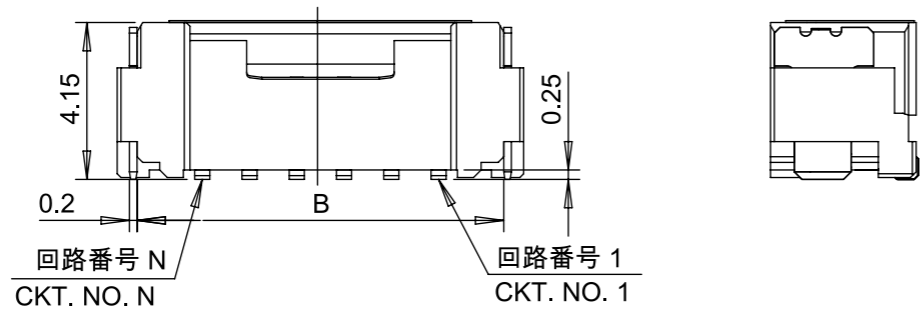
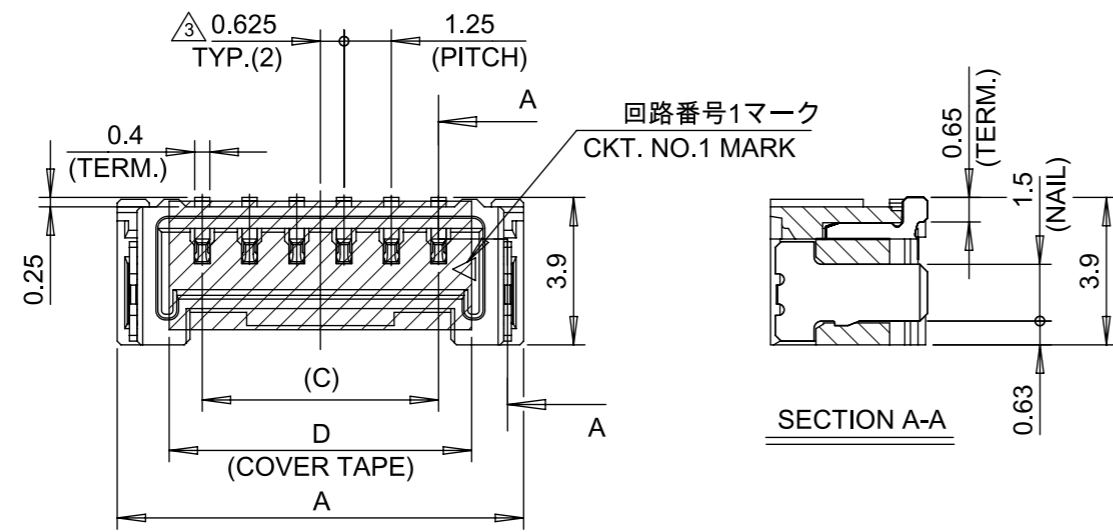
ELV AND RoHS COMPLIANT

HSG COLOR
NATURAL(BEIGE)

5041941670	16
5041941570	15
5041941470	14
5041941370	13
5041941270	12
5041941170	11
5041941070	10
5041940970	9
5041940870	8
5041940770	7
5041940670	6
5041940570	5
5041940470	4
5041940370	3
5041940270	2

EMBOSSED
TAPE PACKAGE 極数
オーダー番号 CKT.NO.
ORDER NO.

THIS DRAWING CONTAINS INFORMATION THAT IS PROPRIETARY TO MOLEX ELECTRONIC TECHNOLOGIES, LLC AND SHOULD NOT BE USED WITHOUT WRITTEN PERMISSION									
DIMENSION UNITS	SCALE	CURRENT REV DESC: REMOVED OBSOLETE PART NUMBERS AS PER PCN#516676							
mm	2:1	 EMBOSSED TAPE PKG FOR 1.25 WTB SINGLE ST SMT PRODUCT CUSTOMER DRAWING							
GENERAL TOLERANCES (UNLESS SPECIFIED)									
ANGULAR TOL	± 1°								
4 PLACES	± 0.20000								
3 PLACES	± 0.2500								
2 PLACES	± 0.300								
1 PLACE	± 0.10	STATUS: Production	2026-04-20		DOCUMENT NUMBER	DOC TYPE	DOC PART	REVISION	
0 PLACES	±	DRWN: Sampreet S Mirajkar	2026-05-06	SD-504194-001		PSD	001	A2	
DRAFT WHERE APPLICABLE MUST REMAIN WITHIN DIMENSIONS		THIRD ANGLE PROJECTION	DRAWING	SERIES	MATERIAL NUMBER	CUSTOMER		SHEET NUMBER	
			A3-SIZE	504194	SEE CHART	GENERAL MARKET		2 OF 2	



NOTES

1. 嵌合相手 : 504193**0*
MATE WITH : 504193**0*
2. 端子テール部 及び ネイルの平坦度 : 0.1MAX.
TAIL AND NAIL COPLANARITY TO BE 0.1 MAX.
極数 / 2 = 偶数に適用。
APPLY FOR CKT. SIZE / 2 = EVEN.
4. 端子テール部 及び ネイルに錫めっきを使用しているため、
外観に摺動痕が付く場合が御座います。
THE WOUND OF FRICTION MIGHT ADHERE TO EXTERNALS
BECAUSE THE TIN PLATING IS USED FOR THE TAIL AND NAIL.
5. 本製品のプラスチック部に黒点等が確認される場合や
色合いが異なる場合がありますが、製品性能に影響はありません。
THERE IS NO INFLUENCE IN THE PRODUCT PERFORMANCE THOUGH
THE BLACK SPOT ETC. MIGHT BE CONFIRMED TO THE PLASTIC PART
OF THIS PRODUCT AND THE SHADE MIGHT BE DIFFERENT.
6. アプリケーション仕様書(コネクタ取扱説明書) : AS-504193-001/-002
APPLICATION SPECIFICATIONS(CONNECTOR MANUAL) : AS-504193-001/-002
7. 製品仕様書 : PS-504193-001
PRODUCT SPECIFICATION PS-504193-001
8. 製品番号 MATERIAL No.

504194**0*

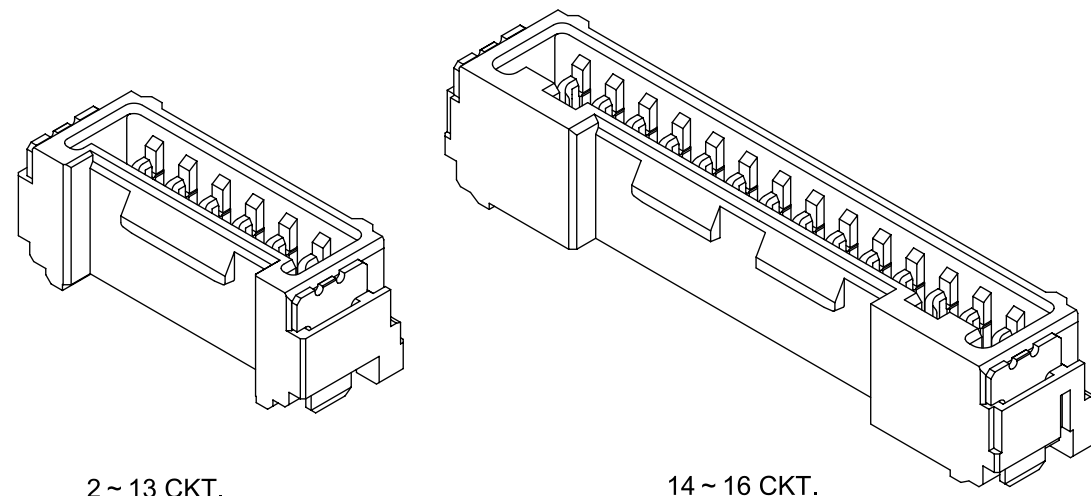
極数	色	NO.	COLOR
CIRCUIT SIZE		0	NATURAL

12	18.75	22.2	23.25	504194167*	16
12	17.5	20.95	22	504194157*	15
12	16.25	19.7	20.75	504194147*	14
12	15	18.45	19.5	504194137*	13
12	13.75	17.2	18.25	504194127*	12
12	12.5	15.95	17	504194117*	11
12	11.25	14.7	15.75	504194107*	10
10	10	13.45	14.5	504194097*	9
8	8.75	12.2	13.25	504194087*	8
8	7.5	10.95	12	504194077*	7
8	6.25	9.7	10.75	504194067*	6
8	5	8.45	9.5	504194057*	5
7	3.75	7.2	8.25	504194047*	4
5	2.5	5.95	7	504194037*	3
5	1.25	4.7	5.75	504194027*	2
D	C	B	A	EMBOSSED TAPE PACKAGE オーダー番号 ORDER NO.	極数 CKT. NO.

部品 PART	材質 MATERIAL
ハウジング HOUSING	ポリアミド(PA), ガラス充填, UL94 V-0, 色 : SEET3参照 POLYAMIDE(PA), GALASS FILLED, UL94 V-0 COLOR : SEE SHEET 3
ターミナル TERMINAL	黄銅 BRASS
	錫めっき : 1.0 micro-meter MIN. TIN
	ニッケルめっき (下地) : 1.0 micro-meter MIN. NICKEL (UNDER PLATING)
ネイル NAIL	黄銅 BRASS
	錫めっき : 1.0 micro-meter MIN. TIN
	ニッケルめっき (下地) : 1.0 micro-meter MIN. NICKEL (UNDER PLATING)

GENERAL TOLERANCES (UNLESS SPECIFIED)		THIS DRAWING CONTAINS INFORMATION THAT IS PROPRIETARY TO MOLEX ELECTRONIC TECHNOLOGIES, LLC AND SHOULD NOT BE USED WITHOUT WRITTEN PERMISSION	
0.25 UNDER	± 0.03	DIMENSION UNITS	SCALE
0.25 OVER	± 0.05	mm	5:1
0.5 UNDER	± 0.1	GENERAL TOLERANCES (UNLESS SPECIFIED)	
0.5 OVER	± 0.1	ANGULAR TOL ± 1°	
1.0 UNDER	± 0.2	4 PLACES ± 0.20000	
1.0 OVER	± 0.2	3 PLACES ± 0.2500	
30 UNDER	± 0.25	2 PLACES ± 0.300	
30 OVER	± 0.3	1 PLACE ± 0.10	
ANGULAR ± 1°		0 PLACES ±	
DRAFT WHERE APPLICABLE MUST REMAIN WITHIN DIMENSIONS		DRAFT WHERE APPLICABLE MUST REMAIN WITHIN DIMENSIONS	

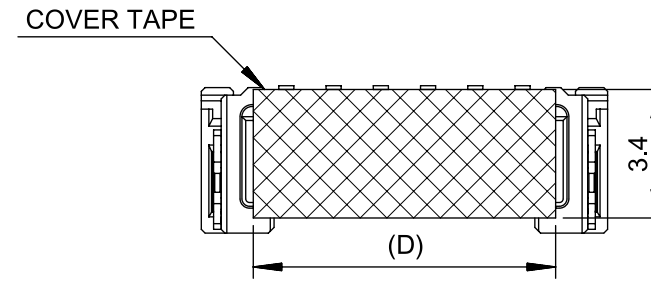
STATUS: Production			
DRWN: Sampreet S Mirajkar	2026-04-18	DOCUMENT NUMBER	
CHK'D: Ganesh Rao B	2026-05-06	DOC TYPE DOC PART REVISION	
APPR: Gurunandan GA	2026-05-06	SD-504194-002 PSD 001 B	
THIRD ANGLE PROJECTION	DRAWING	SERIES	MATERIAL NUMBER
A3-SIZE	504194	SEE TABLE	CUSTOMER
GENERAL MARKET		SHEET NUMBER	
1 OF 3			



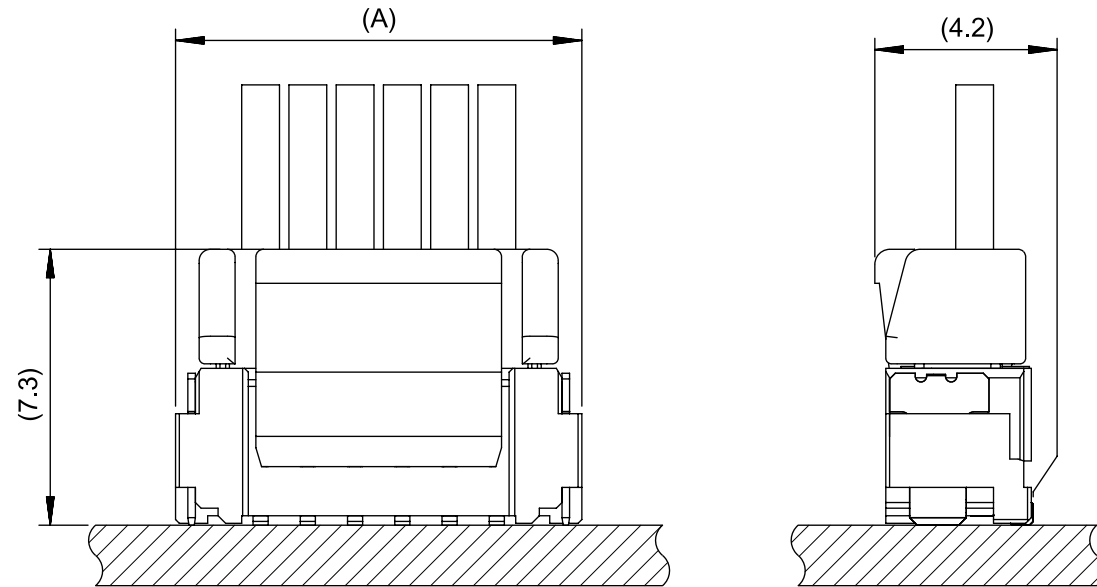
2 ~ 13 CKT.

14 ~ 16 CKT.

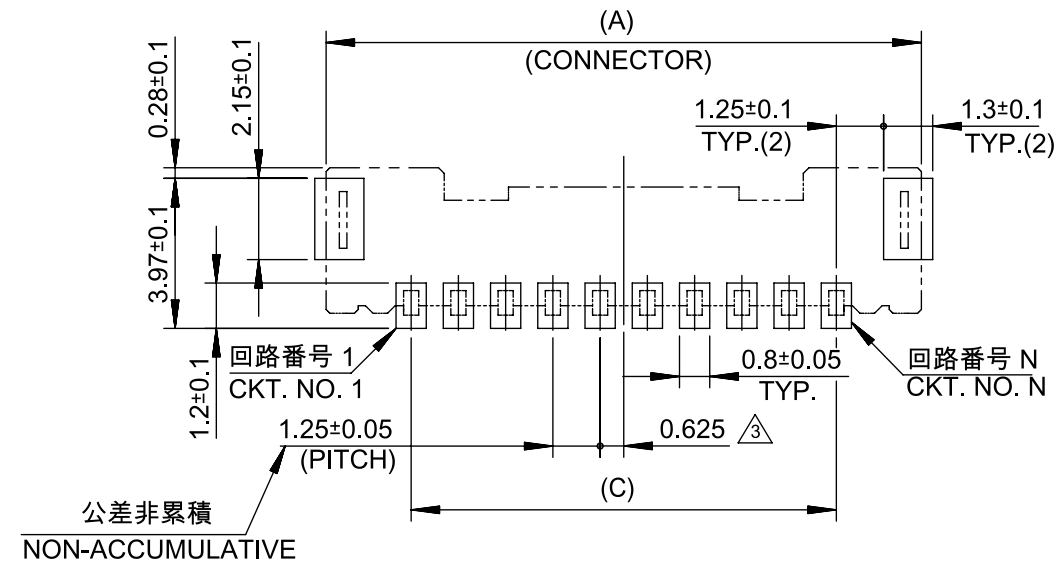
係止形状違い
DIFFERENCE OF LOCK SHAPE



吸着範囲
VACUME AREA



嵌合図
MATED CONNECTORS



推奨基板レイアウト
RECCOMENDED P.C.B. PATTERN LAYOUT
(参考 : メタルマスク厚さ : 150µm, マスク開口率100%)
(REFERENCE : MATAL MASK THICKNESS : 150µm, APERTURE RASIO : 100%)

GENERAL TOLERANCES (UNLESS SPECIFIED) 0.25 UNDER ± 0.03 0.25 OVER 0.5 UNDER ± 0.05 0.5 OVER 1.0 UNDER ± 0.1 1.0 OVER 10 UNDER ± 0.2 10 OVER 30 UNDER ± 0.25 30 OVER ± 0.3 ANGULAR ± 1° DRAFT WHERE APPLICABLE MUST REMAIN WITHIN DIMENSIONS		THIS DRAWING CONTAINS INFORMATION THAT IS PROPRIETARY TO MOLEX ELECTRONIC TECHNOLOGIES, LLC AND SHOULD NOT BE USED WITHOUT WRITTEN PERMISSION DIMENSION UNITS: mm SCALE: 5:1 CURRENT REV DESC: REMOVED OBSOLETE PART NUMBERS AS PER PCN#516676		molex 1.25 WTB SINGLE SMT ST PLUG ASS'Y PRODUCT CUSTOMER DRAWING				
		GENERAL TOLERANCES (UNLESS SPECIFIED) ANGULAR TOL ± 1° 4 PLACES ± 0.20000 3 PLACES ± 0.2500 2 PLACES ± 0.300 1 PLACE ± 0.10 0 PLACES ±					STATUS: Production DRWN: Sampreet S Mirajkar 2026-04-18 CHK'D: Ganesh Rao B 2026-05-06 APPR: Gurunandan GA 2026-05-06	
DRAFT WHERE APPLICABLE MUST REMAIN WITHIN DIMENSIONS		THIRD ANGLE PROJECTION		DRAWING: B-SIZE	SERIES: 504194	MATERIAL NUMBER: SEE TABLE	CUSTOMER: GENERAL MARKET	SHEET NUMBER: 2 OF 3

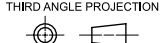

10 9 8 7 6 5 4 3 2 1

ELV AND RoHS COMPLIANT

F
E
D
C
B
A

F
E
D
C
B
A

HSG COLOR NATURAL(BEIGE)	
5041941670	16
5041941570	15
5041941470	14
5041941370	13
5041941270	12
5041941170	11
5041941070	10
5041940970	9
5041940870	8
5041940770	7
5041940670	6
5041940570	5
5041940470	4
5041940370	3
5041940270	2
EMBOSSED TAPE PACKAGE オーダー番号 ORDER NO.	極数 CKT.NO.

GENERAL TOLERANCES (UNLESS SPECIFIED)		<small>THIS DRAWING CONTAINS INFORMATION THAT IS PROPRIETARY TO MOLEX ELECTRONIC TECHNOLOGIES, LLC AND SHOULD NOT BE USED WITHOUT WRITTEN PERMISSION</small>	
0.25 UNDER	± 0.03	<small>DIMENSION UNITS</small> mm	<small>SCALE</small> 5:1
0.25 OVER	0.5 UNDER ± 0.05	<small>GENERAL TOLERANCES (UNLESS SPECIFIED)</small>	
0.5 OVER	1.0 UNDER ± 0.1	<small>ANGULAR TOL ± 1°</small>	
1.0 OVER	10 UNDER ± 0.2	<small>4 PLACES ± 0.20000</small>	
10 OVER	30 UNDER ± 0.25	<small>3 PLACES ± 0.2500</small>	
30 OVER	± 0.3	<small>2 PLACES ± 0.300</small>	
<small>ANGULAR ± 1°</small>		<small>1 PLACE ± 0.10</small>	
<small>DRAFT WHERE APPLICABLE MUST REMAIN WITHIN DIMENSIONS</small>		<small>0 PLACES ±</small>	
		<small>DRAFT WHERE APPLICABLE MUST REMAIN WITHIN DIMENSIONS</small>	
		<small>THIRD ANGLE PROJECTION</small> 	<small>DRAWING</small> B-SIZE
		<small>SERIES</small> 504194	<small>MATERIAL NUMBER</small> SEE TABLE
		<small>CUSTOMER</small> GENERAL MARKET	<small>SHEET NUMBER</small> 3 OF 3
		<small>STATUS: Production</small> DRWN: Sampreet S Mirajkar 2026-04-18 CHK'D: Ganesh Rao B 2026-05-06 APPR: Gurunandan GA 2026-05-06	<small>CURRENT REV DESC: REMOVED OBSOLETE PART NUMBERS AS PER PCN#516676</small>
			
		1.25 WTB SINGLE SMT ST PLUG ASS'Y	
		PRODUCT CUSTOMER DRAWING	
		<small>DOCUMENT NUMBER</small> SD-504194-002	<small>DOC TYPE</small> PSD
		<small>DOC PART</small> 001	<small>REVISION</small> B

10 9 8 7 6 5 4 3 2 1

FORMAT: TC-9-111-1
REVISION: 2
DATE: 2022/08/01