

注記 NOTES

- ① ロック窓 LOCKING WINDOW:  
ロック窓は、2、3極では1ヶ所、4極以上では2ヶ所とする。  
ONE PLACE FOR 2 AND 3 CIRCUIT.  
TWO PLACES FOR 4 CIRCUIT AND MORE.
- ② 材料およびめっき仕様：TABLE1参照  
MATERIAL AND PLATING: REFER TO TABLE1
- ③ 適用製品及び各種仕様書はSHEET 2を参照のこと  
REFER TO SHEET 2 ABOUT APPLICABLE PRODUCTS AND VARIOUS SPECIFICATIONS
- 4. 本製品は金めっき品です。錫めっき品は530480001-SDをご参照ください。  
THIS PRODUCT IS GOLD PLATING TYPE.  
PLEASE REFER TO 530480001-SD FOR TIN PLATING TYPE.

⑤ 発注番号  
ORDER NO.  
**53048\*\* \* 0**

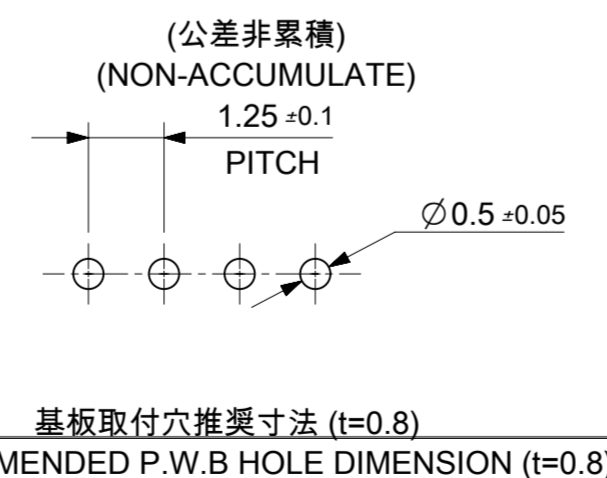
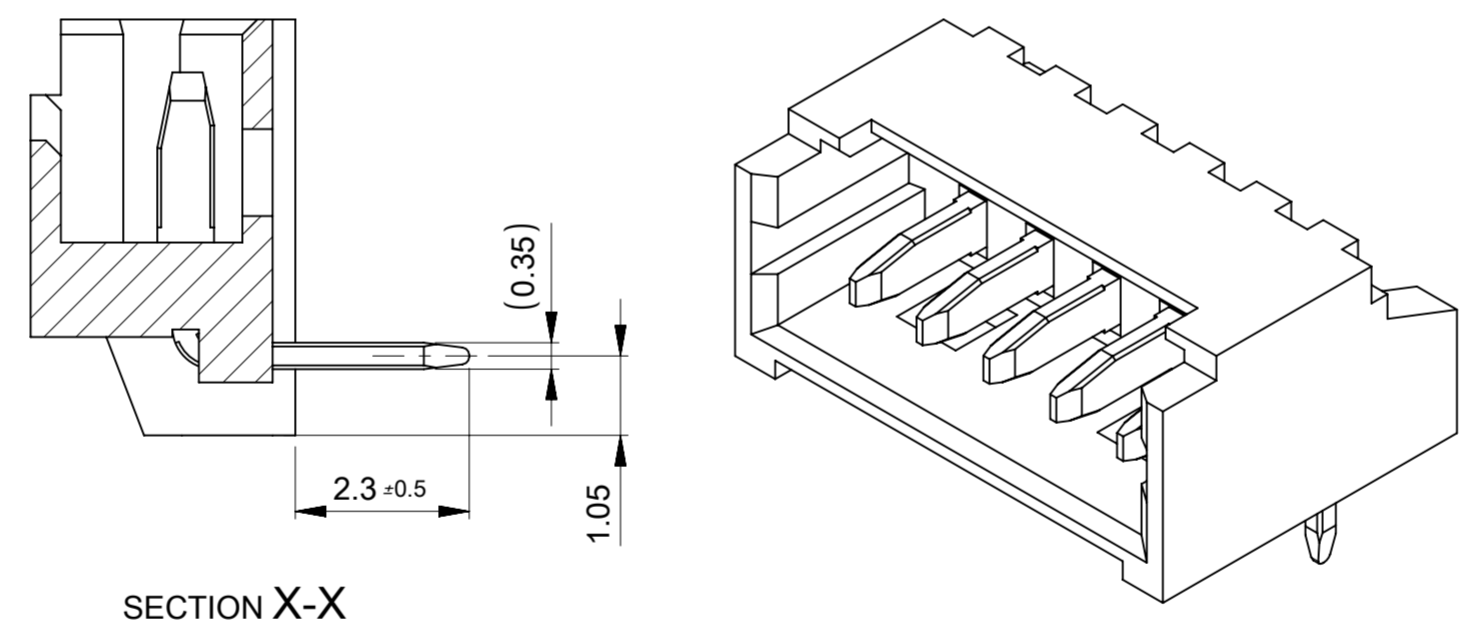
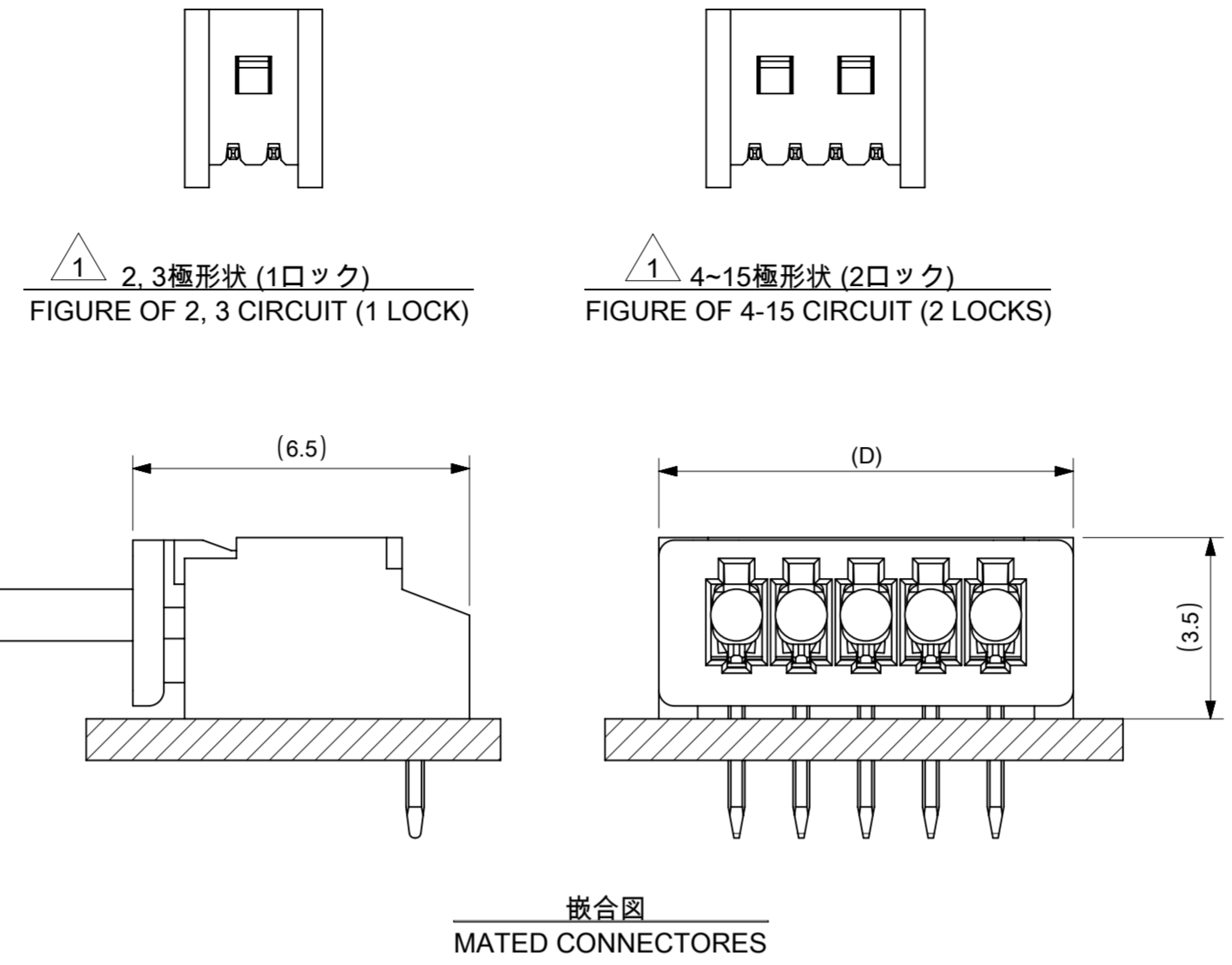
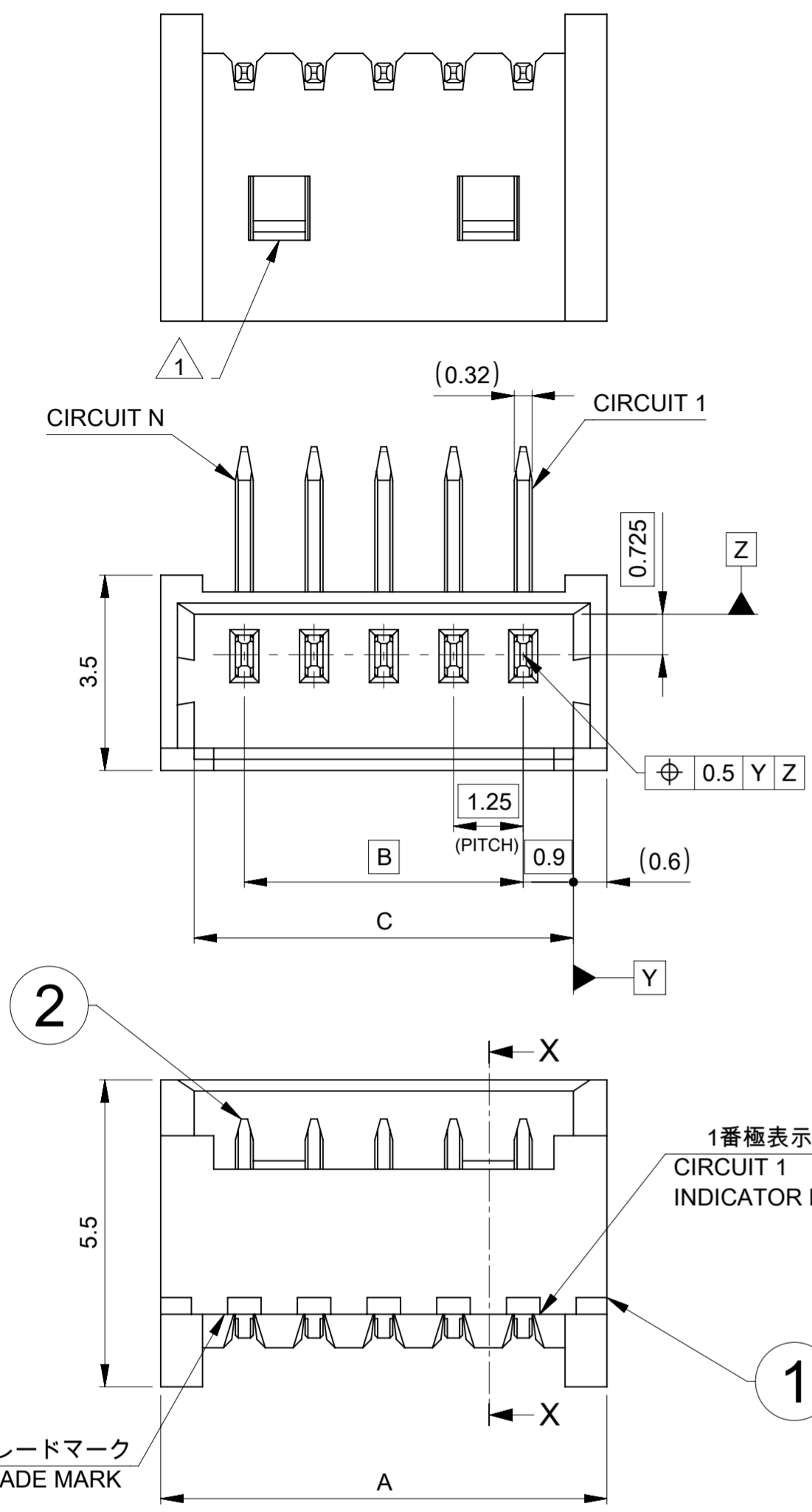
番号	接点部 金めっき厚 CONTACT GOLD PLATING THICKNESS
6	FLASH
5	0.38 micro-meters MIN

20.5	19.3	17.5	20.5	530481560	15
19.25	18.05	16.25	19.25	530481460	14
18	16.8	15	18	530481360	13
16.75	15.55	13.75	16.75	530481260	12
15.5	14.3	12.5	15.5	530481160	11
14.25	13.05	11.25	14.25	530481060	10
13	11.8	10	13	530480960	9
11.75	10.55	8.75	11.75	530480860	8
10.5	9.3	7.5	10.5	530480760	7
9.25	8.05	6.25	9.25	530480660	6
8	6.8	5	8	530480560	5
6.75	5.55	3.75	6.75	530480460	4
5.5	4.3	2.5	5.5	530480360	3
4.25	3.05	1.25	4.25	530480260	2

D	C	B	A	GOLD PLATING THICKNESS FLASH	極数 CRICUIT
⑤ オーダー番号 ORDER NO.					
梱包形態：トレイ梱包 PACKAGING: PLASTIC TRAY					

THIS DRAWING CONTAINS INFORMATION THAT IS PROPRIETARY TO MOLEX ELECTRONIC TECHNOLOGIES, LLC AND SHOULD NOT BE USED WITHOUT WRITTEN PERMISSION

DIMENSION UNITS	SCALE	CURRENT REV DESC: REMOVED OBSOLETE PART NUMBERS AS PER PCN#514356.			
mm	NTS	<b>molex</b> PICOBLADE 1.25 HEADER ASSY TH RIGHT ANGLE GOLD PLATING TYPE PRODUCT CUSTOMER DRAWING			
GENERAL TOLERANCES (UNLESS SPECIFIED)					
ANGULAR TOL	± 3.0°	EC NO: 803783	2024/11/05	DOC TYPE	DOC PART
4 PLACES	± 0.2	DRWN: RAVINR1	2024/11/19	DOCUMENT NUMBER	REVISION
3 PLACES	± 0.2	CHK'D: GGA	2024/11/19	530480000-SD	000
2 PLACES	± 0.2	APPR: GGA	2024/11/19	CUSTOMER	D1
1 PLACE	± 0.2	INITIAL REVISION:	2018/10/18	MATERIAL NUMBER	SHEET NUMBER
0 PLACES	± 0.2	DRWN: SOBARA01	2018/10/30	SEE CHART	1 OF 2
DRAFT WHERE APPLICABLE MUST REMAIN WITHIN DIMENSIONS		THIRD ANGLE PROJECTION	DRAWING	SERIES	
			A2-SIZE	53048	



② TABLE 1

番号 NO.	部品 PART	材質 MATERIAL	
①	ハウジング HOUSING	ポリアミド(PA), UL94V-0, 色：ナチュラル(ホワイト) POLYAMIDE(PA), UL94V-0, COLOR : NATURAL (WHITE)	
②	母材 MATERIAL	りん青銅 PHOSPHOR BRONZE	
	コンタクト部 CONTACT AREA	金めっき：めっき厚は注記5参照 GOLD PLATING PLATING THICKNESS : SEE NOTE 5.	
	テール部 TAIL AREA	無光沢錫めっき 1.0 micro-meters MIN (リフロー処理) MATTE TIN PLATING 1.0 micro-meters MIN (REFLOW TREATMENT)	
	下地めっき(コンタクト部、テール部) UNDER PLATING (CONTACT, TAIL AREA)	ニッケルめっき 0.5 micro-meters MIN NICKEL PLATING 0.5 micro-meters MIN	

△ 3 適合製品および各種仕様書  
 APPLICABLE PRODUCTS AND SPECIFICATIONS

梱包仕様書 PACKING SPECIFICATION	PART NUMBER			SPECIFICATION NUMBER		
	53048****			SPK-53048-001		
適合嵌合相手 MATE WITH	HOUSING		CRIMP TERMINAL			
	51021****	WIRE SIZE (AWG)	GOLD PLATING THICKNESS	PART NUMBER		
				#28-32	FLASH	500588020
		#26-28	0.38 micro-meters		500588025	
			FLASH		500798020	
0.38 micro-meters		500798025				
製品仕様書 PRODUCT SPECIFICATION	510210000-PS PS 000					
アプリケーション仕様書 (取扱説明書) APPLICATION SPECIFICATION	510210000-AS PS 000					

THIS DRAWING CONTAINS INFORMATION THAT IS PROPRIETARY TO MOLEX ELECTRONIC TECHNOLOGIES, LLC AND SHOULD NOT BE USED WITHOUT WRITTEN PERMISSION

DIMENSION UNITS <b>mm</b>	SCALE <b>NTS</b>	CURRENT REV DESC: REMOVED OBSOLETE PART NUMBERS AS PER PCN#514356.		<b>molex</b>		
GENERAL TOLERANCES (UNLESS SPECIFIED)		EC NO: 803783				
ANGULAR TOL ± 3.0°	4 PLACES ± 0.2	DRWN: RAVINR1	2024/11/05	PRODUCT CUSTOMER DRAWING		
3 PLACES ± 0.2	2 PLACES ± 0.2	CHK'D: GGA	2024/11/19	DOCUMENT NUMBER		
1 PLACE ± 0.2	0 PLACES ± 0.2	APPR: GGA	2024/11/19	530480000-SD		
INITIAL REVISION:		DRWN: SOBARA01		2018/10/18	DOC TYPE	DOC PART
DRAFT WHERE APPLICABLE MUST REMAIN WITHIN DIMENSIONS		APPR: TKANEKO		2018/10/30	PSD	000
THIRD ANGLE PROJECTION		DRAWING	SERIES	MATERIAL NUMBER	CUSTOMER	REVISION
		A2-SIZE	53048	GENERAL	D1	
					SHEET NUMBER	
					2 OF 2	