

**EXTENDED RANGE**

- TOOLING FEASIBILITY CONFIRMED
- SAMPLES ON DEMAND
- AVAILABILITY ON DEMAND

PRODUCT NUMBER  
89852-YXXXLF

RoHS COMPATIBLE, SEE NOTE 5

OPTIONAL LETTER:  
(AS AVAILABLE)

H: HIGH TEMPERATURE PRODUCT

PIN STYLE, SEE TABLE  
(AS AVAILABLE)

PLATING CODE:  
(AS AVAILABLE)

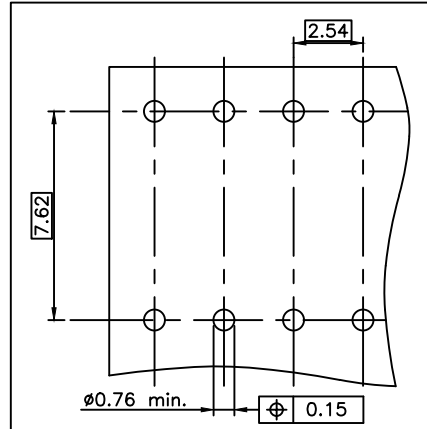
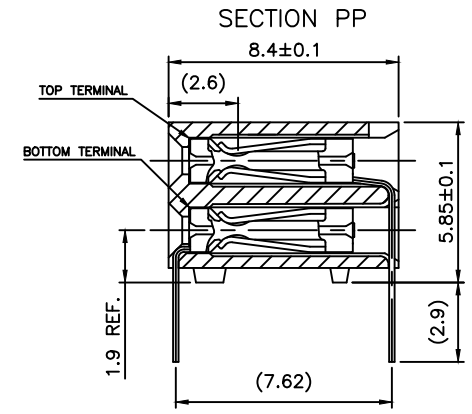
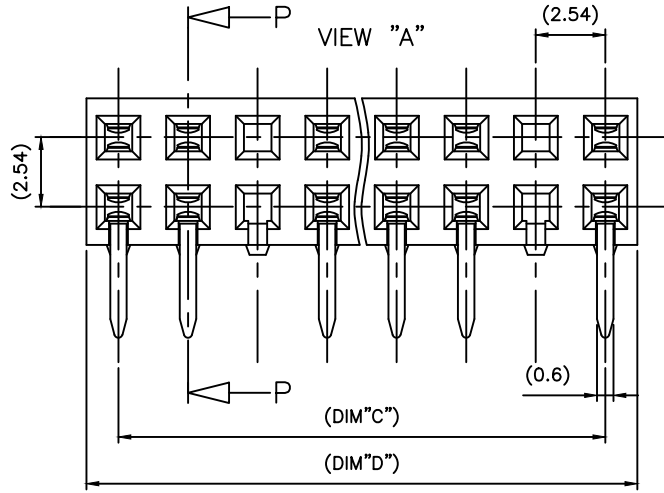
3= 0.76µm GOLD ON CONTACT AREA  
2µm MIN MATTE TIN ON TAIL

4= 2µm MIN MATTE TIN FULL PLATED  
1.27µm Ni MIN UNDERPLATING

**NOTES:**

- HOUSING MATERIAL: THERMOPLASTIC GLASS FILLED FLAME RETARDANT PER UL 94 V-0.  
LOW TEMPERATURE: COLOR BLUE.  
HIGH TEMPERATURE: COLOR GREY.
- MATERIAL TERMINAL: PHOSPHOR BRONZE.
- TERMINALS CAN ONLY BE USED FOR P.C. BOARD APPLICATION WITH THROUGH HOLES.
- RoHS COMPATIBLE PRODUCT SPECIFICATIONS
  - PLATING:
    - "LF" MEANS THE PRODUCT IS LEAD-FREE, 2µm MINIMUM MATTE TIN OVER 1.27µm MINIMUM NICKEL UNDERPLATE.
  - MANUFACTURING PROCESS COMPATIBILITY
    - THE HOUSING WILL WITHSTAND EXPOSURE TO 260°C ±5°C SOLDER BATH TEMPERATURE FOR 5 SECONDS IN A WAVE SOLDER APPLICATION WITH A 1.6mm MIN THICK CIRCUIT BOARD.
    - REFLOW COMPATIBLE FOR "HLF" VERSION ONLY MEANS THE HOUSING WILL WITHSTAND EXPOSURE TO 260°C PEAK TEMPERATURE FOR 30 SECONDS MAX IN A CONVECTION, INFRA-RED OR VAPOR PHASE OR REFLOW OVEN.
  - LABELING:
    - MEETS PACKAGING SPECS AS PER GS-14-920
  - LEGAL STATEMENT: SEE GS-47-0004
- THIS PART SERIES IS NOT INITIALLY INTENDED FOR AUTOMOTIVE APPLICATIONS. ADDITIONAL FEES ARE CHARGEABLE FOR ANY ADDITIONAL QUALIFICATION AND TEST REPORTS PERFORMED OUTSIDE THE SCOPE OF THE STANDARD PRODUCT SPECIFICATIONS.
- UNLESS OTHERWISE APPROVED BY AMPHENOL, ALL PARTS AND COMPONENTS ARE DESIGNED & BUILT ACCORDING TO AMPHENOL'S SPECIFICATIONS WHICH ARE SUBJECT TO CHANGE WITHOUT NOTICE.

PIN STYLE	NBR OF CONTACTS	POLARIZING PLUG	TOP TER.	DIM"C"	DIM"D"	CONTACT PLACED IN CAVITY (TABLE ACCORDING WITH VIEW "A")																	
						1	2	3	4	5	6	7	8	9	10	11	12	13	14	15	16	17	18
01	12		TOP TER.	27.94	30.40	X	X	X	X	X	X	X	X	X	X	X	X	X	X				
	11	WITHOUT	BOTTOM TER.			X	X	X	X	X	X	X	X	X	X	X	X	X	X	X			
02	12		TOP TER.	27.94	30.40	X	X	X	X	X	X	X	X	X	X	X	X	X					
	11	65307-001	BOTTOM TER.			X	X	X	X	X	X	X	X	X	X	X	X	X	X				
03	13	WITHOUT	TOP TER.	43.18	45.64	X	X		X		X		X		X	X	X	X					
	13	WITHOUT	BOTTOM TER.			X	X		X		X		X	X	X	X	X	X	X				
04	5		TOP TER.	10.16	12.62	X	X	X	X	X													
	4	WITHOUT	BOTTOM TER.			X		X	X	X													



89852-4XX(H)LF	Sn	Sn
89852-3XX(H)LF	0.76µm GOLD	Sn
PLATING CODE	CONTACT AREA	SOLDER TAIL
	PLATING THICKNESS OVER 1.27µm Ni MIN	

mat'l. code		surface	tolerance	projection	product family
SEE NOTES		ISO 1302	ISO 406 ISO 1101		DUBOX
ltr	ecn no	dr	date	tolerances unless otherwise specified	title
K	B-20026	BVE	15.01.20	angles	DUBOX HCC SELECTED LOADED
L	B-20689	BVE	15.04.15	linear	
M	F-54523	DDE	25.02.06	±2'	
				±0.3	
G	F06-0204	DLE	06.06.21	engr	scale 5:1
H	F07-0271	LMU	07.12.06	chr	dwg no
J	B-19123	LMU	14.10.21	appd	sheet 1 of 1
					size
					89852
					A3
					type
					CUSTOMER
					Drawing
sheet	revision				
index	sheet				

RECOMMENDED HOLE PATTERN

Amphenol FCI FCIconnect.com Copyright FCI