

# SCNRJ - 88GGNSEN - 483ESORTH

SUNTSU

RJ45

CONTACTS  
8 : 8

MAGENETIC  
N : None

EMI Finger  
E : With

OPERATING TEMP  
48 : -40~85°C

CONTACT TERMINATION  
SO : SOLDER

CONNECTOR

POSITIONS  
8 : 8

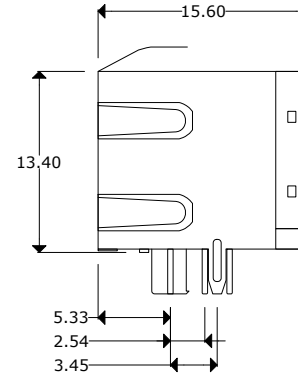
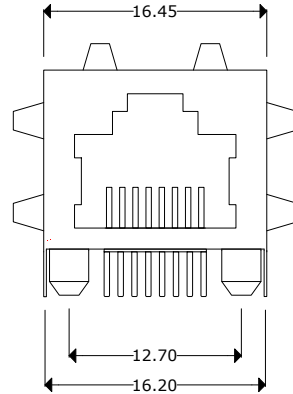
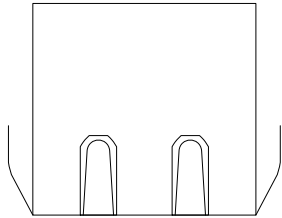
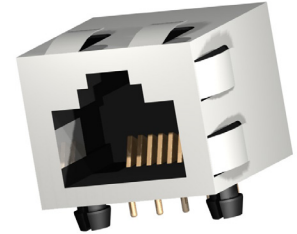
CONTACT PLATING  
GG : 6u" Gold Plating

SHIELD  
S : With

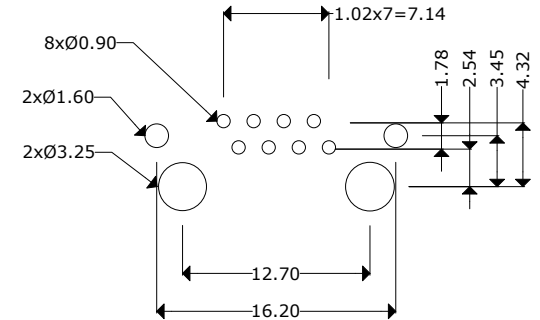
LED COLOR  
N : None

HEIGHT  
3E : 13.4

MOUNTING STYLE  
RTH : Right Angle  
Through Hole



## PC Board Layout



### Electrical Parameters

Voltage Rating: 125V  
 Current Rating: 1.5A  
 Contact Resistance: 30mΩ Max  
 Insulation Resistance: 500MΩ/min.  
 Dielectric Withstanding Voltage: 1000V

### Materials

Housing: P.B.T. UL94V-0, Black  
 Contact: 0.45mm diameter phosphor bronze  
 Plating: gold plated over nickel  
 Shielded: 0.25mm copper alloy with nickel plated

Remarks:  
 Operating Life: 750 Cycles MIN.



RJ45 JACK TOP ENTRY

Document History			
Edits Made	Date	Edited By	Approved By
Initial Release	10/18/2021	B. Gibbons	KH Mun

Part No.	SCNRJ-88GGNSEN-483ESORTH	Drawn	B. Gibbons 10/18/2021
Scale	Not drawn to scale	Tolerance	.x±0.25 Unless otherwise stated, tolerances are .xx±0.20
Unit	mm	Pages	1/1