

1

2

3

4

5

6

7

A

B

C

D

E

F

A

B

C

D

E

F

③ NOTES:

MATERIAL

Housing: PC UL94V-2
Contact: Brass with 2 prongs
Plating: Gold (see Ordercode)
50 μ" Nickel under plated

ELECTRICAL

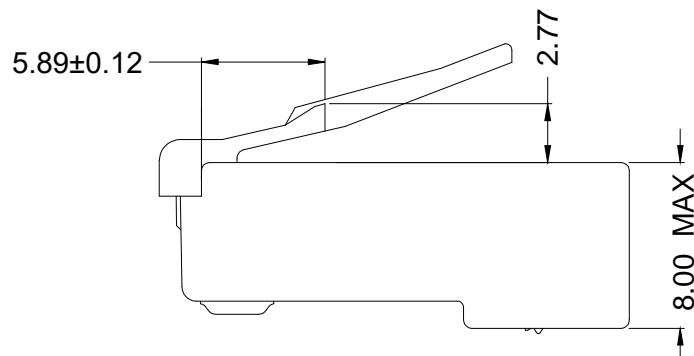
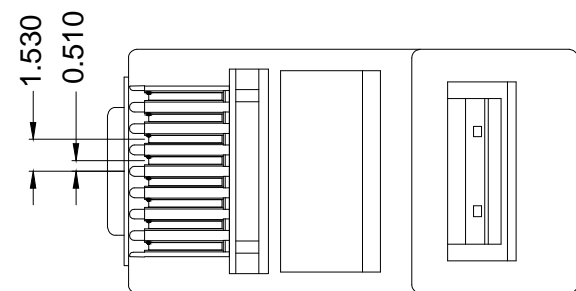
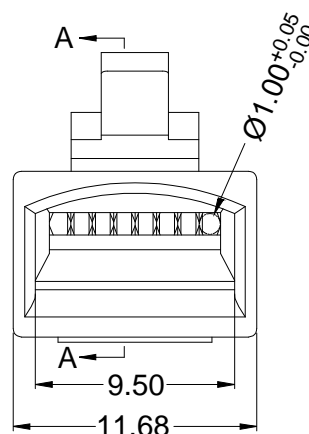
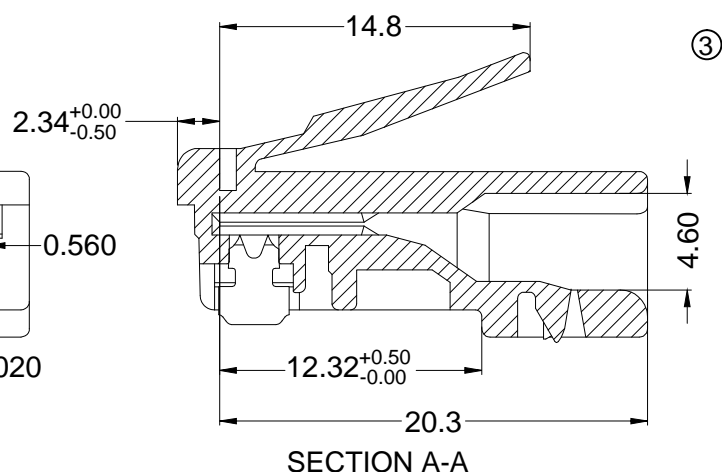
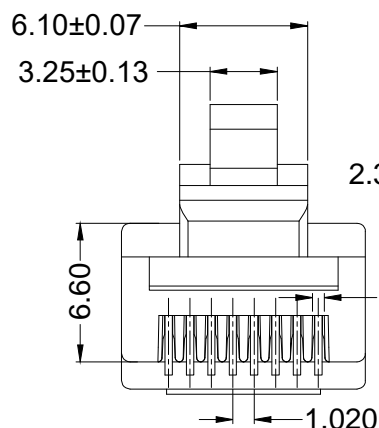
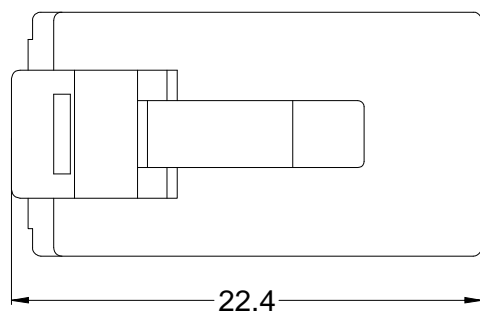
Current rating: 1.5A
Withstand Voltage: 1000 VAC/minute
Insulation Resistance: 500MΩ
Contact Resistance: 20mΩ max.
Tensile strength: 89N Min

ENVIRONMENTAL

Operating temp.: -40°C to + 85°C
Durability: 750 cycles
Wire gauge: 26AWG-24AWG Stranded wire
Cable OD size: round cable 4.5~5.5mm
Wire size: 0.95±0.05mm

Order Code:

A-MO 8/8-SR-x
empty =Au 6u"
GF =Au-flash
④ E=Au 30u" UL94 V-0



RoHS compliant

Unit:mm

Scale Free

TOLERANCE

.X ±0.20

.XX ±0.10

.XXX ±0.05

DIM TOL

X.° ±2°

Angle TOL

Id.

④

③

②

①

①

①

Id.

Add the WSW P/N

Update drawing

Add cable wire size information

Update dimensions

Drawn

Modification

Date

11.05.2026

14.09.2020

03.04.2019

18.05.2017

04.06.2014

Date

Name

Peter

Luca

Amy

Amy

Joanna

Name

Date

04.06.2014

11.05.2026

Date

Date

04.06.2014

11.05.2026

Date

Name

Joanna

Peter

Name

Description: Modular Connector
male / 8P8C / UTP

ASSMANN WSW-No.

④③ A-MO 8/8-SR-x

Drawing-No.
ASS 6402 CO

rev04

Customer-No.

SHEET
1 / 1

1

2

3

4

5

6

7