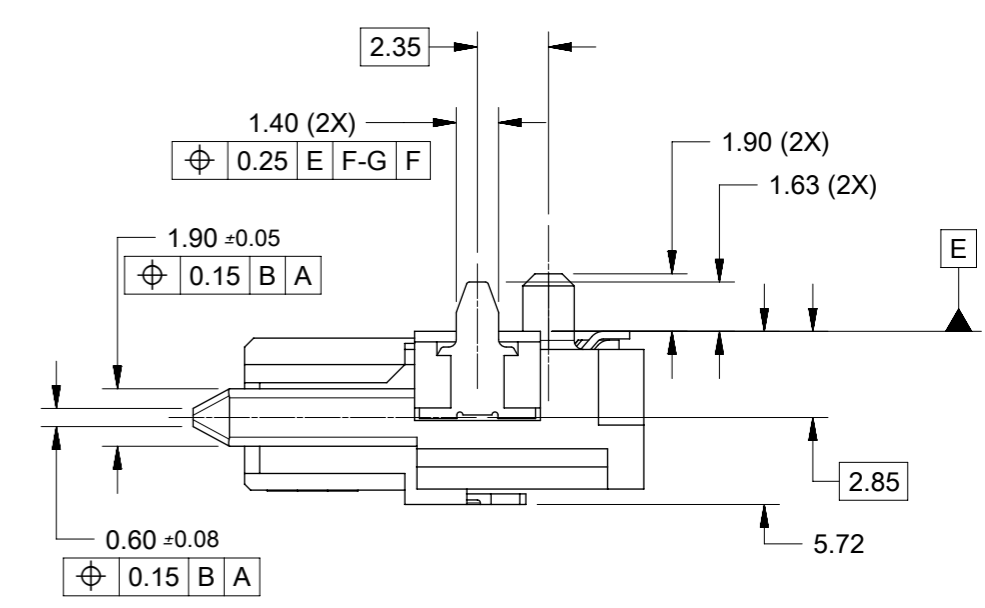
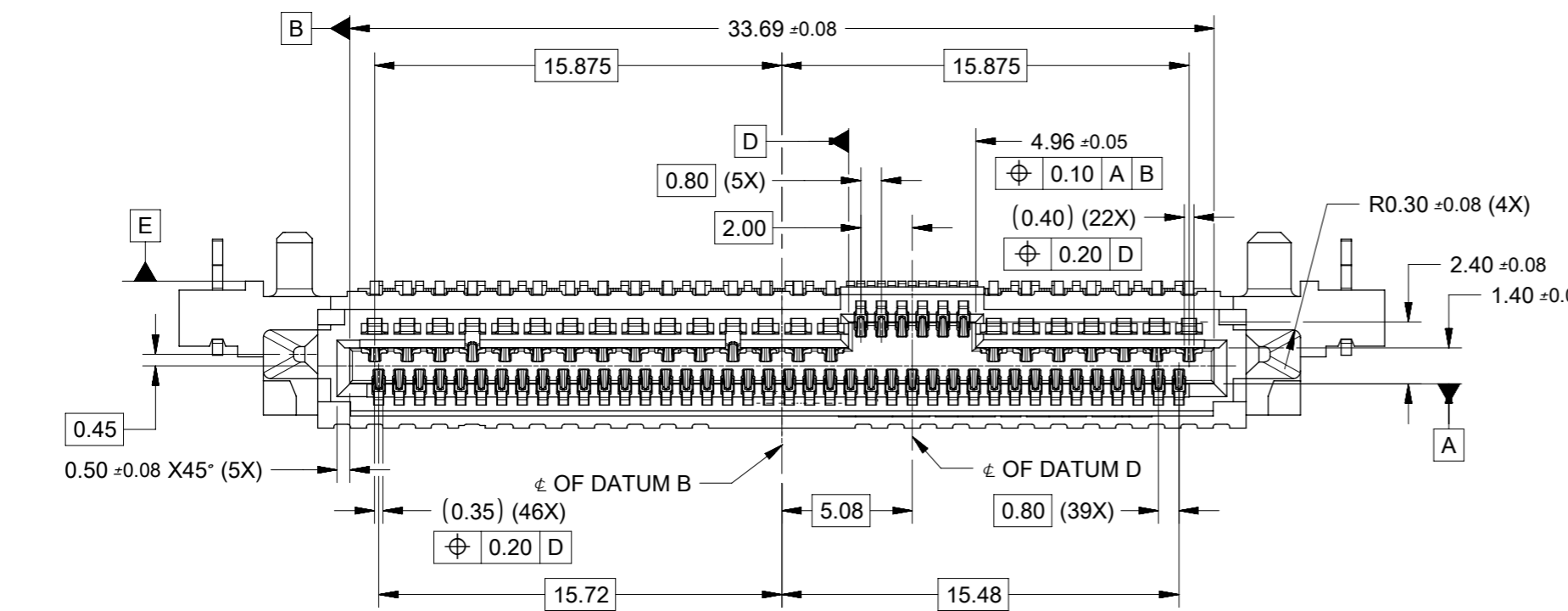
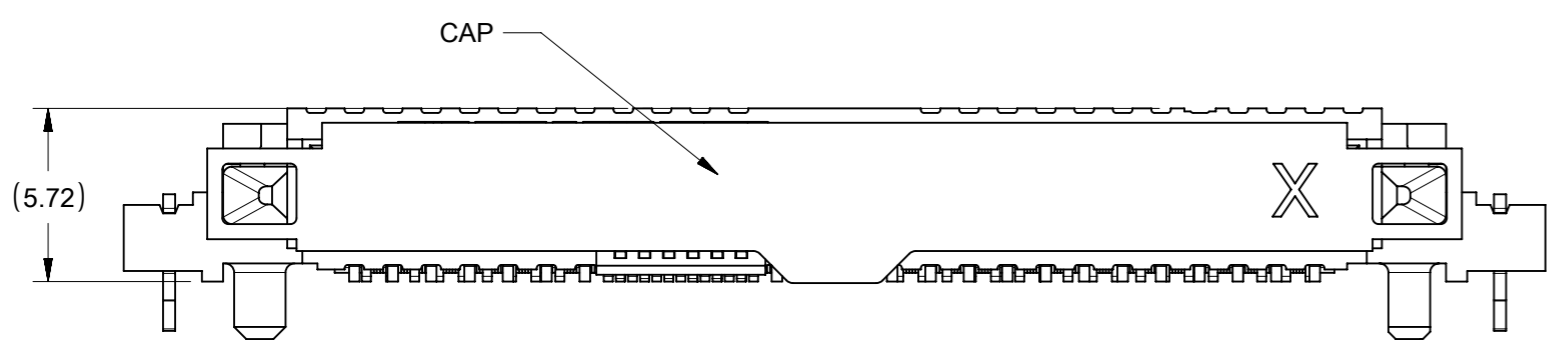
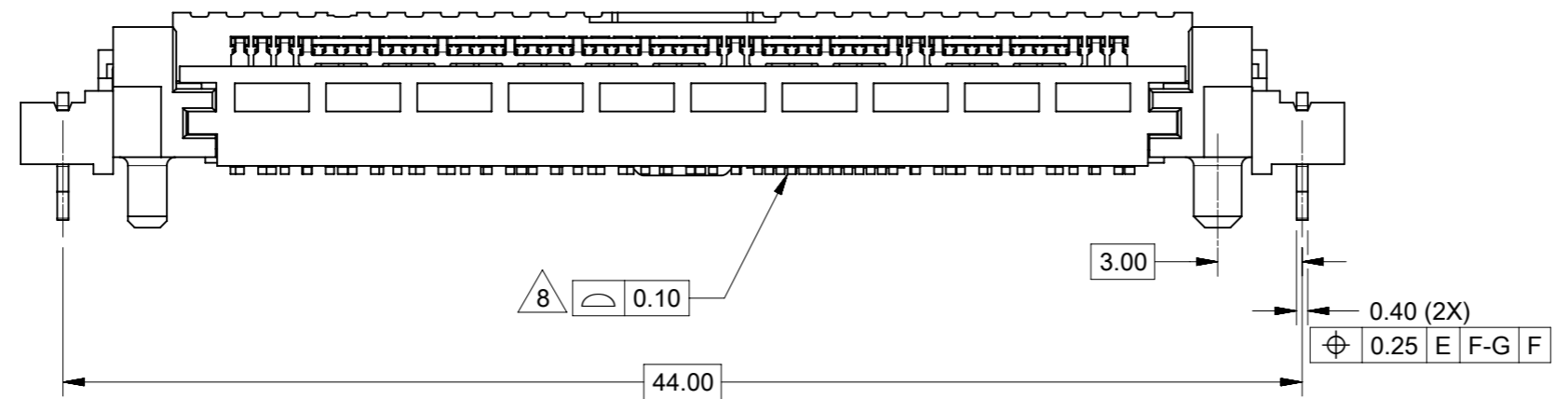
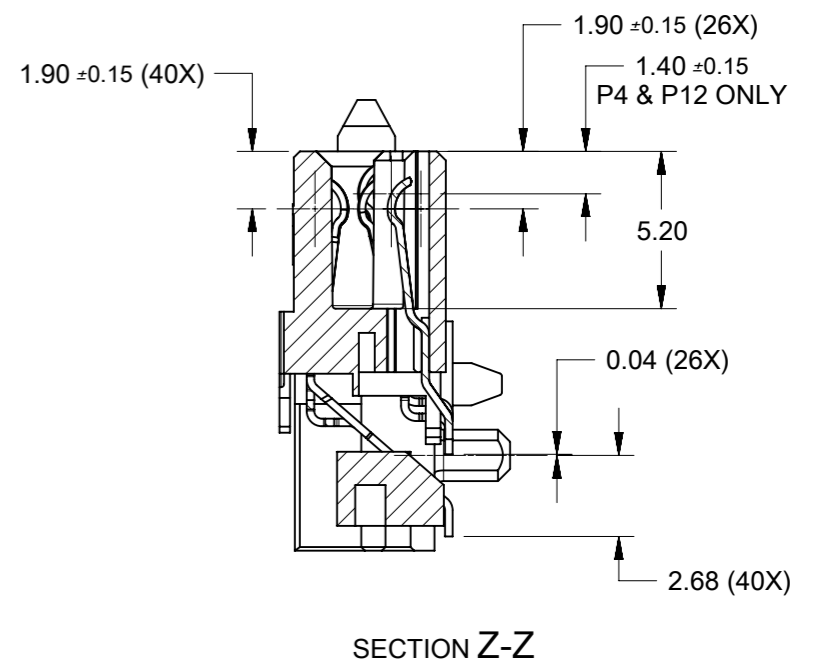
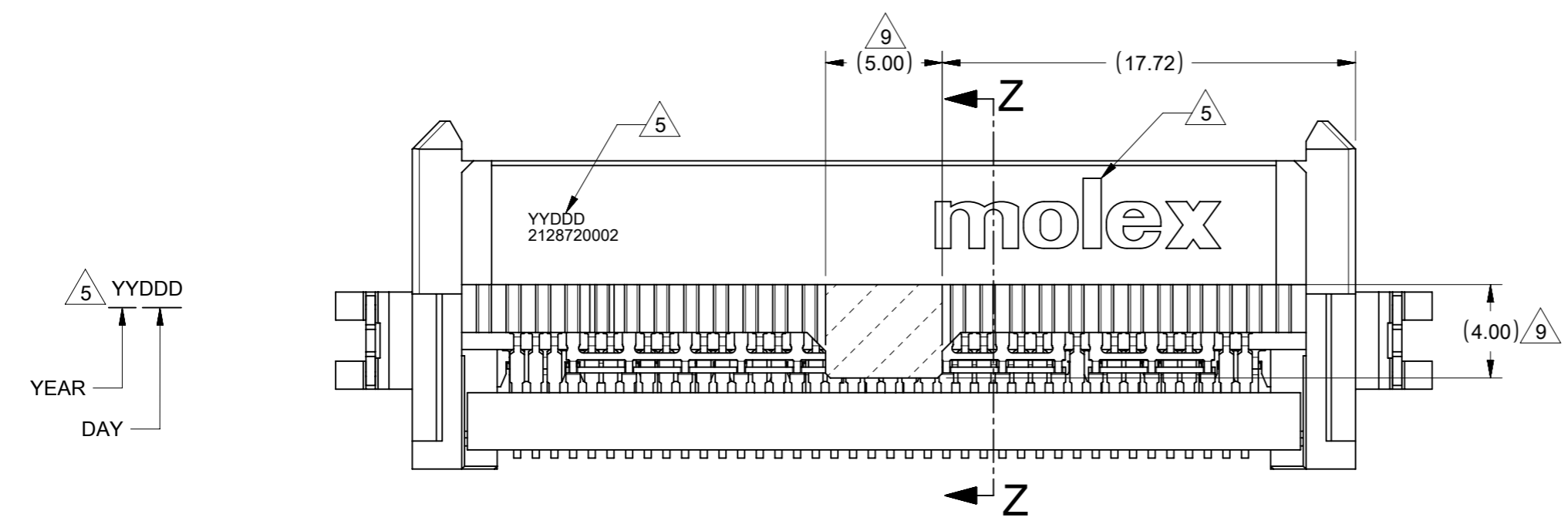


- NOTES:
- MATERIAL:
HOUSING: LCP, GLASS FILLED, UL 94V-0, BLACK
TERMINAL: COPPER ALLOY
BLADE: COPPER ALLOY
 - PLATING:
TERMINAL:
CONTACT: 0.76µm MIN. SELECTIVE GOLD OVER 1.27µm MIN.
NICKEL UNDERPLATE
SOLDERTAIL: 2.54µm MIN. TIN OVER 1.27µm MIN. NICKEL UNDERPLATE
BLADE: 2.54µm MIN. TIN OVER 1.27µm MIN. NICKEL UNDERPLATE
 - PRODUCT SPECIFICATION: 21287200001-PS
 - PACKAGING SPECIFICATION: 2128729001-PK
 - MOLEX LOGO, PART NUMBER & DATE CODE LOCATED APPROXIMATELY AS SHOWN.
 - NON FUNCTIONAL CORE HOLE MAY VARY.
 - APPLICATION SPECIFICATION FOR PCB ROUTING: 2123900001-AS
 - COPLANRITY 0.10MM MAX
 - SURFACE FOR PICK AND PLACE



THIS DESIGN IS BASED ON DESIGN OBJECTIVES AND IS STRICTLY TENTATIVE. IT MAY CHANGE BASED ON RESULTS OF ADDITIONAL DESIGN REVIEWS AND VERIFICATIONS.

THIS DRAWING CONTAINS INFORMATION THAT IS PROPRIETARY TO MOLEX ELECTRONIC TECHNOLOGIES, LLC AND SHOULD NOT BE USED WITHOUT WRITTEN PERMISSION		CURRENT REV DESC: INITIAL RELEASE		molex	
DIMENSION UNITS	SCALE	EC NO: 625829			
MM	NTS	DRWN: MLONG 2019/06/14		DOCUMENT NUMBER	
GENERAL TOLERANCES (UNLESS SPECIFIED)		CHK'D: CCTEH 2019/10/21		DOC TYPE DOC PART REVISION	
ANGULAR TOL	± 3.0°	APPR: SHLENI 2019/10/24		2128720002-SD PSD 000 A	
4 PLACES	±	INITIAL REVISION:		MATERIAL NUMBER	
3 PLACES	±	DRWN: MLONG 2019/06/14		CUSTOMER	
2 PLACES	± 0.2	APPR: SHLENI		GENERAL MARKET	
1 PLACE	±	THIRD ANGLE PROJECTION		SHEET NUMBER	
0 PLACES	±	DRAWING		1 OF 3	
DRAFT WHERE APPLICABLE MUST REMAIN WITHIN DIMENSIONS		SERIES		DATE	
		A3-SIZE		2019/10/24	
		212872		2019/10/24	



CONNECTOR WITH CAP

THIS DRAWING CONTAINS INFORMATION THAT IS PROPRIETARY TO MOLEX ELECTRONIC TECHNOLOGIES, LLC AND SHOULD NOT BE USED WITHOUT WRITTEN PERMISSION									
DIMENSION UNITS		SCALE		CURRENT REV DESC: INITIAL RELEASE					
MM		NTS		<p>SAS/PCIE R/A RECEPTACLE 2.85MM HT SMT WITH BLADE</p> <p>PRODUCT CUSTOMER DRAWING</p>					
GENERAL TOLERANCES (UNLESS SPECIFIED)									
ANGULAR TOL ± 3.0°									
4 PLACES ±									
3 PLACES ±									
2 PLACES ± 0.2									
1 PLACE ±				INITIAL REVISION:		DOCUMENT NUMBER		DOC TYPE	
0 PLACES ±				DRWN: MLONG 2019/06/14		2128720002-SD		PSD	
DRAFT WHERE APPLICABLE MUST REMAIN WITHIN DIMENSIONS				THIRD ANGLE PROJECTION		DRAWING		SERIES	
				A3-SIZE		212872		MATERIAL NUMBER	
						2128720002		CUSTOMER	
						GENERAL MARKET		SHEET NUMBER	
						2 OF 3			

