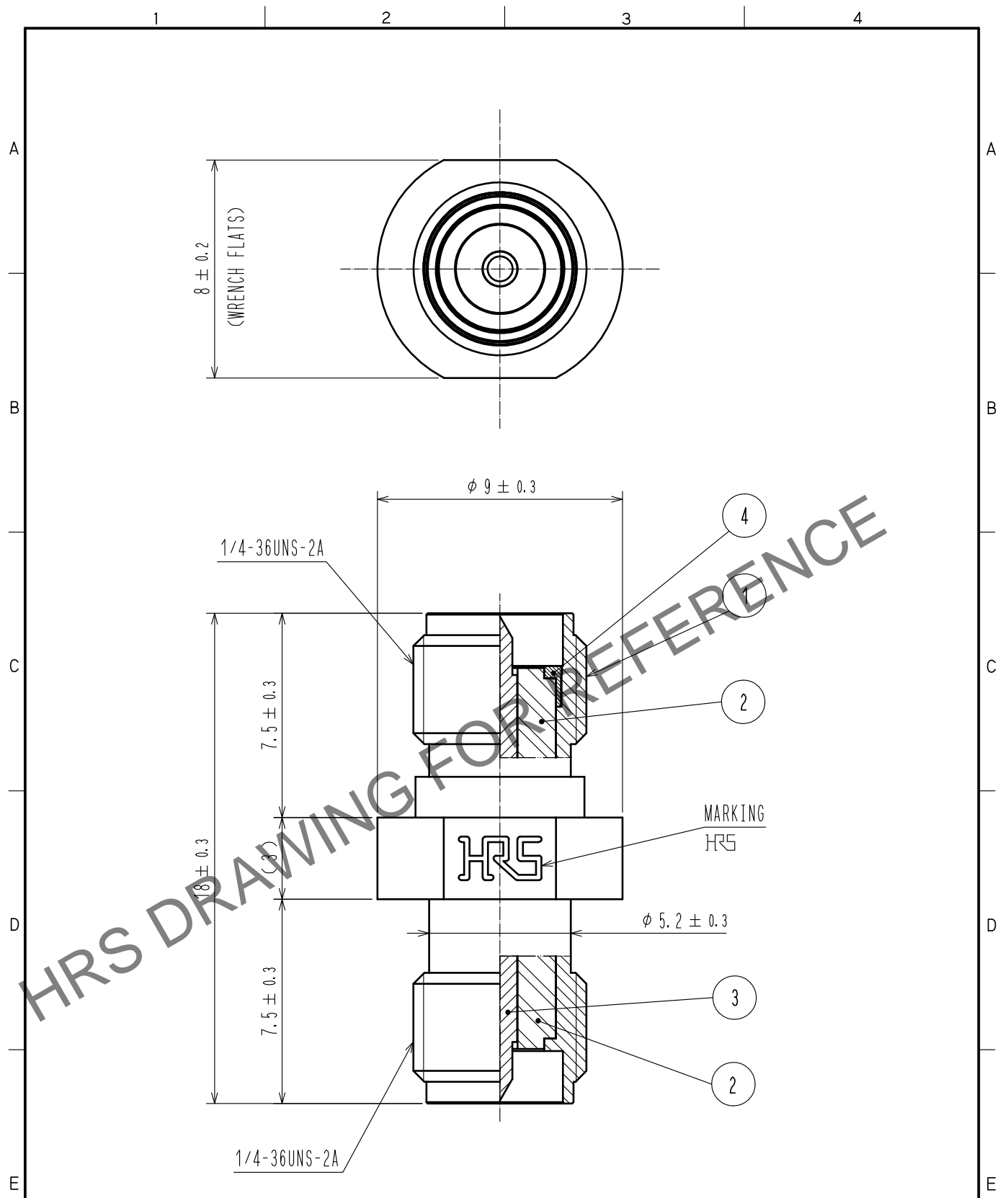


May.1.2026 Copyright 2026 HIROSE ELECTRIC CO., LTD. All Rights Reserved.
 In case of consideration for using Automotive equipment / device which demand high reliability, kindly contact our sales window correspondents.



RoHS COMPLIANT

2	PTFE		4	STAINLESS STEEL	PASSIVATED
1	STAINLESS STEEL	PASSIVATED	3	BRASS	GOLD PLATING
NO.	MATERIAL	FINISH . REMARKS	NO.	MATERIAL	FINISH . REMARKS
UNITS mm		SCALE 5 : 1	COUNT 	DESCRIPTION OF REVISIONS	DESIGNED
					CHECKED
					DATE
HRS HIROSE ELECTRIC CO., LTD.	APPROVED : TO. KATAYAMA	17. 08. 30	DRAWING NO.	EDC-379044-00-00	
	CHECKED : KY. SHIMIZU	17. 08. 30	PART NO.	SMA(R)-A-JJ	
	DESIGNED : TY. OZAKI	17. 08. 30	CODE NO.	CL323-0124-0-00	
	DRAWN : TY. OZAKI	17. 08. 30			1/1