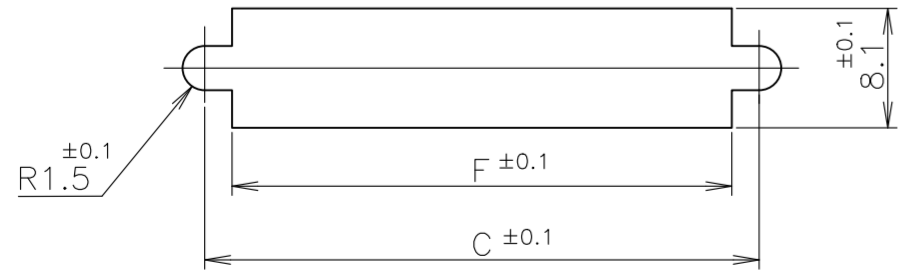
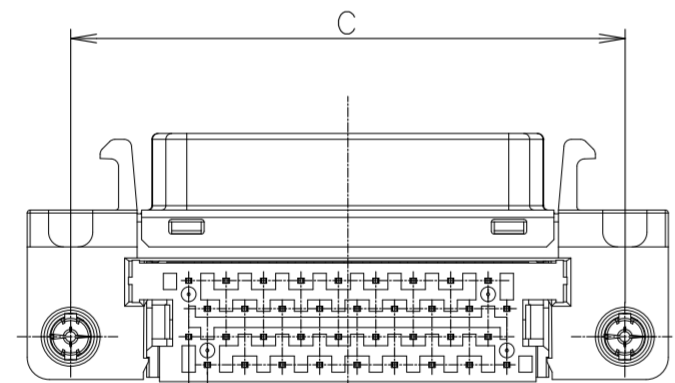
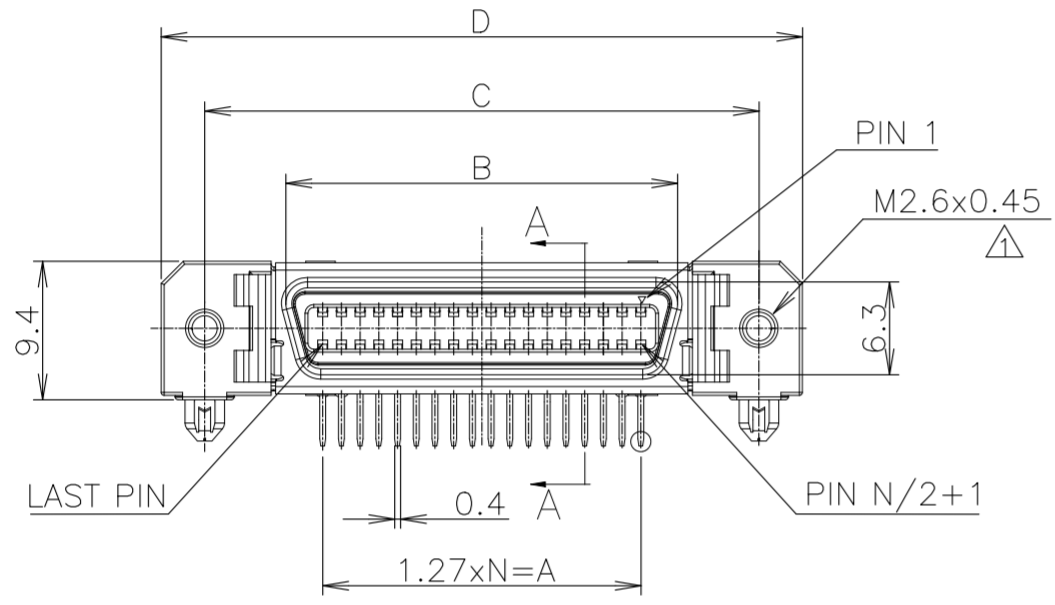
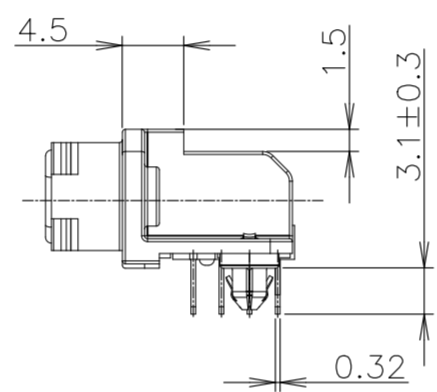
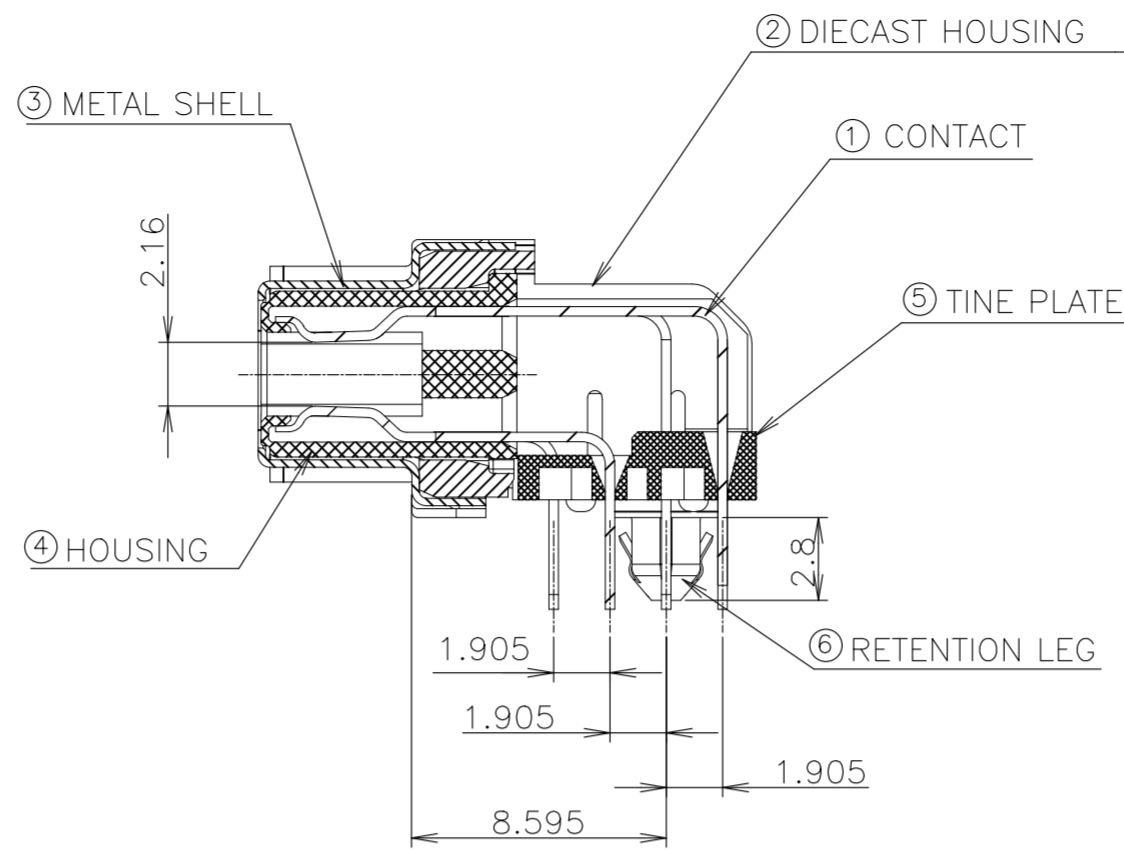
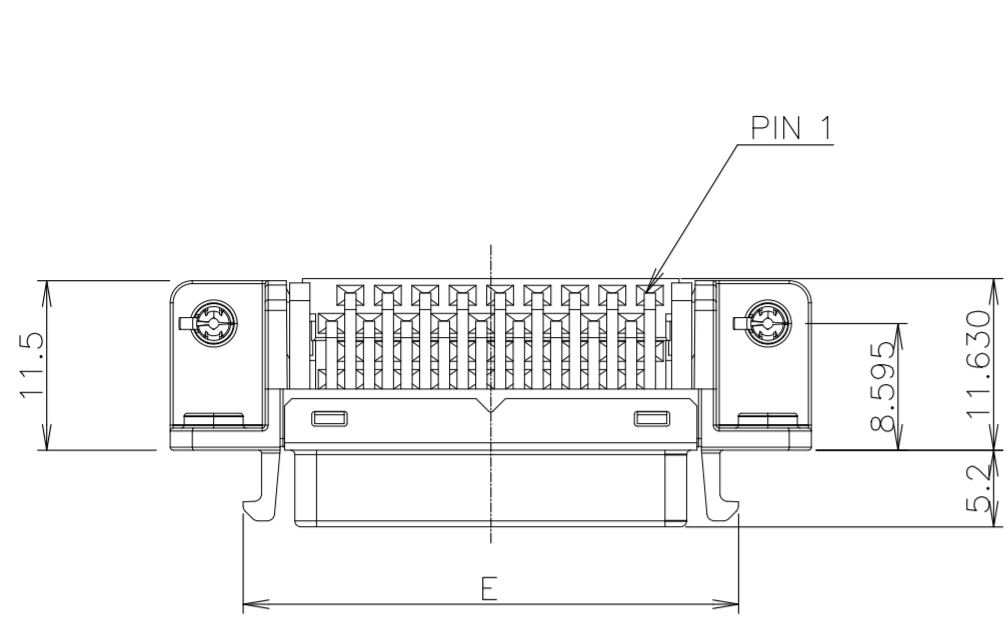
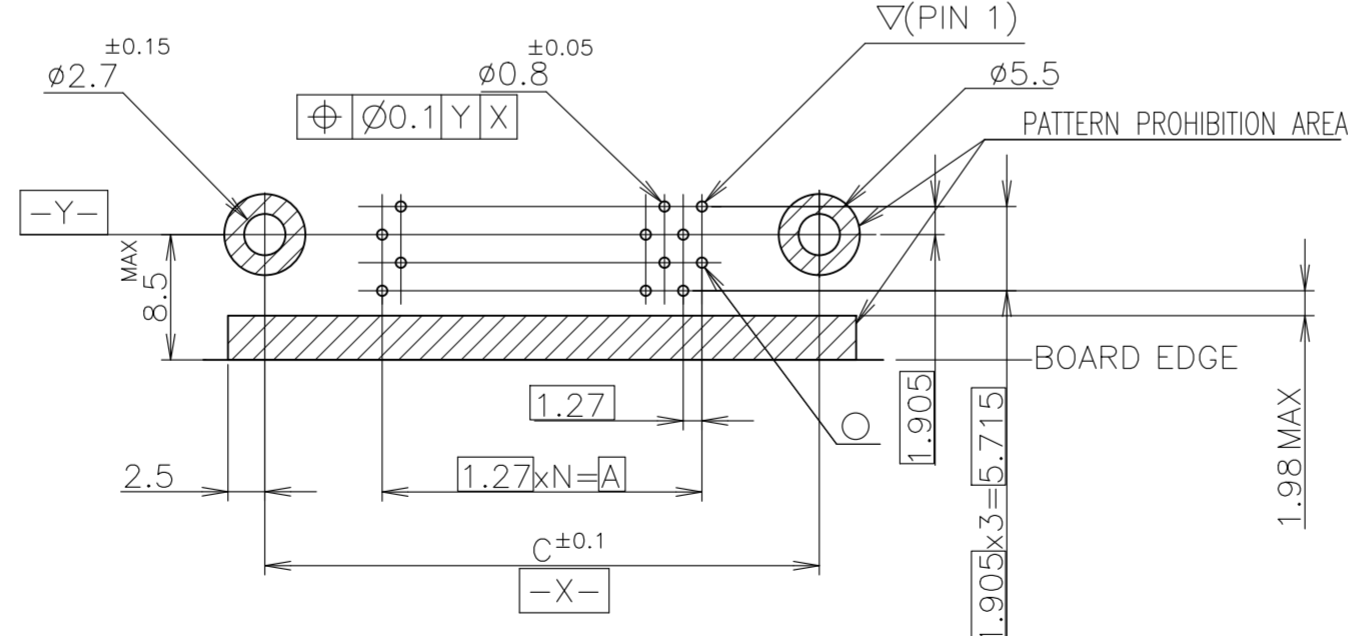


REVISIONS					
P	LTR	DESCRIPTION	DATE	DWN	APVD
B		ECR-25-260422	12NOV2025	TF	CW



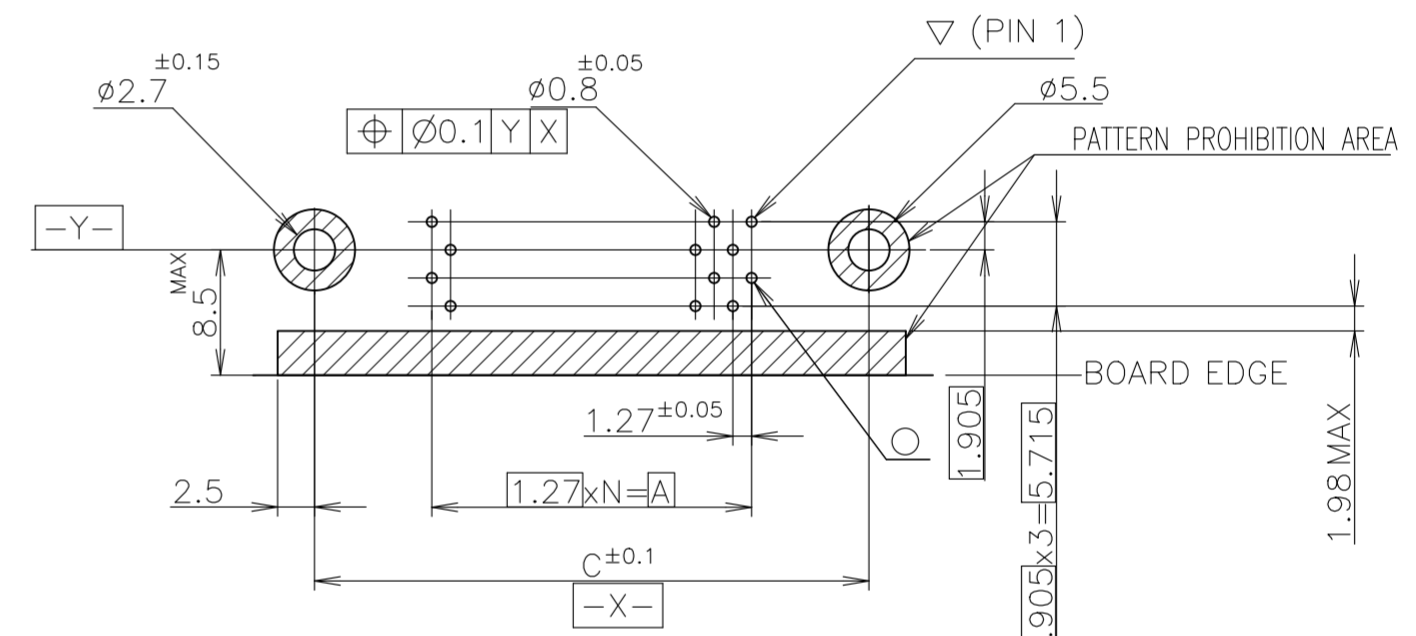
RECOMMENDED PANEL CUTOUT  
THK,2mm MAX



FOR 20, 36 POSITION  
RECOMMENDED PC BOARD  
MOUNTING DIMENSION  
(COMPONENT SIDE)

ITEM	MATERIAL	FINISH
①	COPPER ALLOY	NICKEL UNDER PLATE ALL OVER CONTACT AREA ; Au(0.3um, 0.76um) SOLDER TINE AREA ; TIN PLATE
②	ZINC	NICKEL PLATING
③	STEEL t0.25	NICKEL PLATE OVER COPPER UNDERPLATE
④	THERMO-PLASTIC(UL:94V-0)	COLOR; BLACK
⑤		
⑥	COPPER ALLOY	TIN PLATE OVER NICKEL UNDERPLATE

- NOTES:  
 1. RECOMMENDED SCREW SIZE ; M2.6 PANHEAD SCREW(L=5)  
 2. RECOMMENDED P.C BOARD THICKNESS ; 1.6mm (REF)  
 3. INSERTION FORCE OF RETENTION LEG TO P.C.B; 21.56N(2.2kgf) MAX/CONNECTOR.  
 4. RETENTIVITY OF RETENTION LEG TO P.C.B; 4.9N(0.5kgf) MIN/CONNECTOR.



FOR 14, 26, 50 POSITION  
RECOMMENDED PC BOARD  
MOUNTING DIMENSION  
(COMPONENT SIDE)

24	42.8	42.50	52.40	46.50	35.48	30.48	0.76um	50	5-2232516-2
17	33.9	33.61	43.51	37.61	26.59	21.59	0.76um	36	4-2232516-2
12	27.6	27.26	37.16	31.26	20.24	15.24	0.76um	26	3-2232516-2
9	23.8	23.45	33.35	27.45	16.43	11.43	0.76um	20	2-2232516-2
6	19.9	19.64	29.54	23.64	12.62	7.62	0.76um	14	1-2232516-2
24	42.8	42.50	52.40	46.50	35.48	30.48	0.3 um	50	5-2232516-1
17	33.9	33.61	43.51	37.61	26.59	21.59	0.3 um	36	4-2232516-1
12	27.6	27.26	37.16	31.26	20.24	15.24	0.3 um	26	3-2232516-1
9	23.8	23.45	33.35	27.45	16.43	11.43	0.3 um	20	2-2232516-1
6	19.9	19.64	29.54	23.64	12.62	7.62	0.3 um	14	1-2232516-1
N	F	E	D	C	B	A	Au PLT.	POSITION	PART NO.

THIS DRAWING IS A CONTROLLED DOCUMENT.

DWN	HAO WANG	06MAY13
CHK	KOBBY ZHAO	06MAY13
APVD	PETER YIN	06MAY13

TE Connectivity  
 RECEPTACLE HDR ASSY (3.1mm)  
 RETENTION LEG TYPE  
 STANDARD SCSI .050

108-137364  
 APPLICATION SPEC

WEIGHT: 0.000000  
 SCALE: 2:1  
 SHEET: 1 of 1  
 REV: B

LEAD FREE