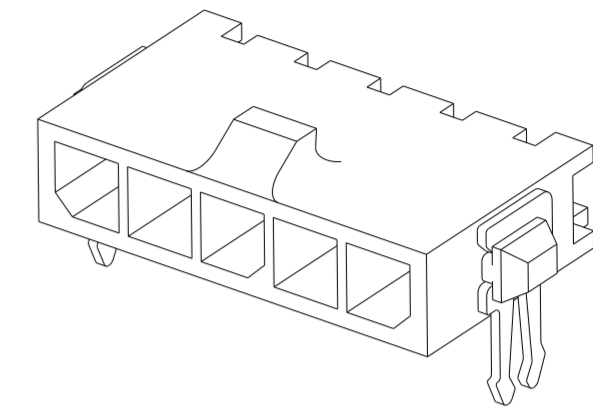
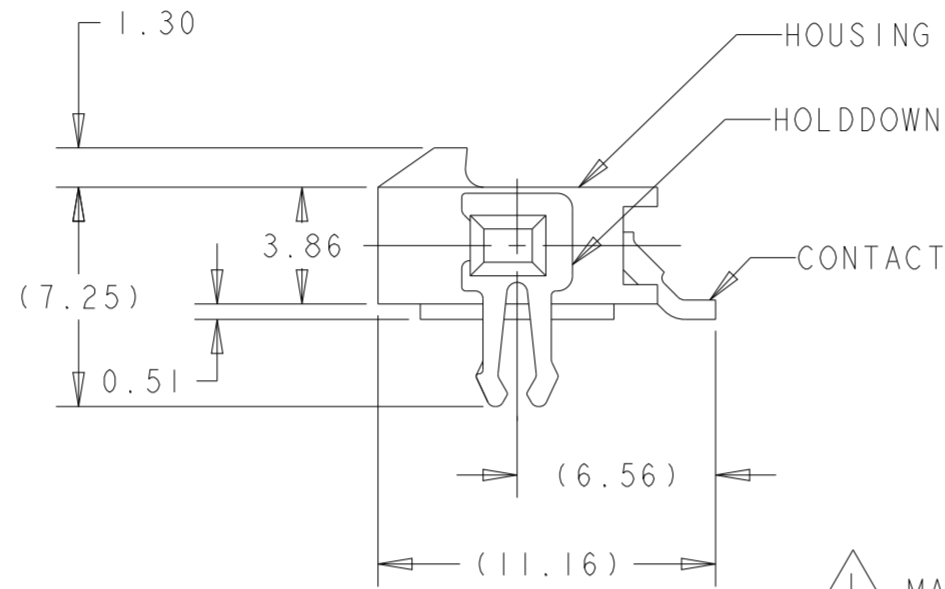
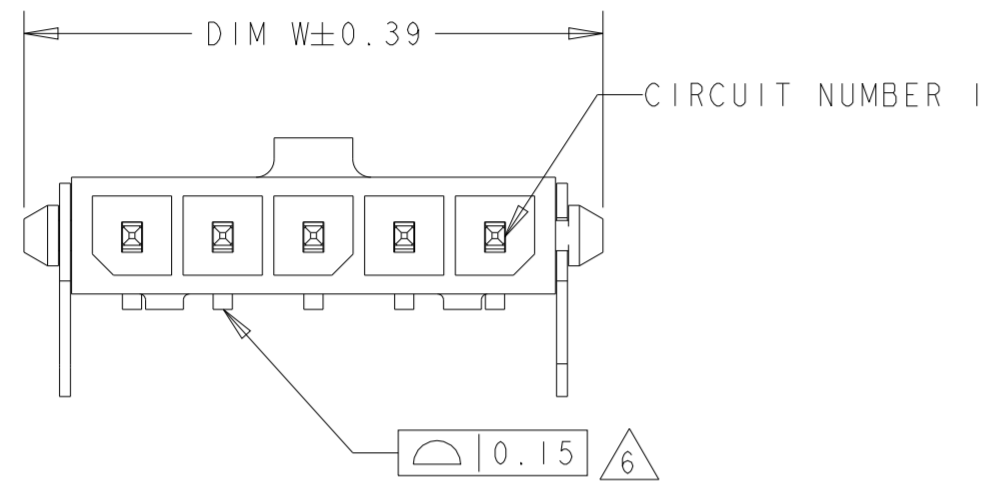
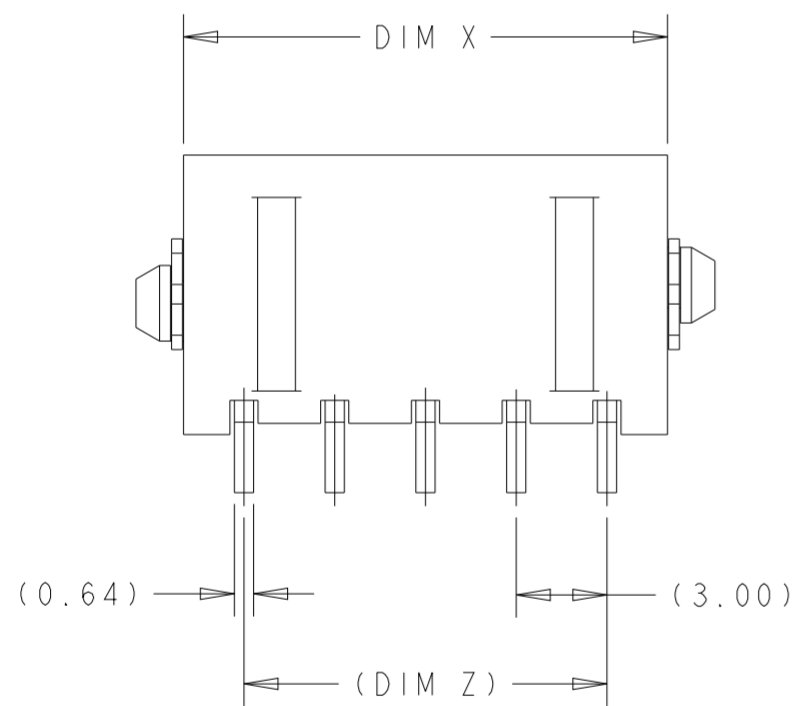


THIS DRAWING IS UNPUBLISHED. RELEASED FOR PUBLICATION
 © COPYRIGHT copyright.dBte- ALL RIGHTS RESERVED.

REVISIONS					
P	LTR	DESCRIPTION	DATE	DWN	APVD
B5		REVISED PER ECN-23-242776	14DEC2023	WLS	VS
C		REVISED PER ECN-25-316179	12MAY2025	WLS	JP



- 1 MATERIAL: HOUSING - UL 94V-0 RATED HIGH TEMP NYLON, COLOR BLACK.
CONTACTS - BRASS
HOLDDOWNS - PHOSPHOR BRONZE.
- 2 RECOMMENDED PC BOARD THICKNESS OF 1.57.
- 3 PLATING: CONTACTS - 0.38 μ m MINIMUM GOLD,
OR
0.0762 μ m MINIMUM GOLD FLASH OVER 0.31 μ m MINIMUM PALLADIUM NICKEL,
ON MATING AREA PER TE CONNECTIVITY'S DISCRETION,
2.54 μ m MINIMUM MATTE TIN ON SOLDER TAILS,
ALL OVER 1.27 μ m MINIMUM NICKEL.
HOLDDOWNS - 2.54 μ m MINIMUM MATTE TIN OVER 1.27 μ m MINIMUM NICKEL.
- 4 COUNTERPART RECOMMENDED IS PN 1445022 OR 2008571 (DASH ACC. TO NUMBER OF POSITION).
- 5 FOR REELING DIRECTION AND PACKAGING TYPE, SEE SPECIFICATION 114-13000.
- 6 ALL SOLDER TAILS AND STANDOFFS.



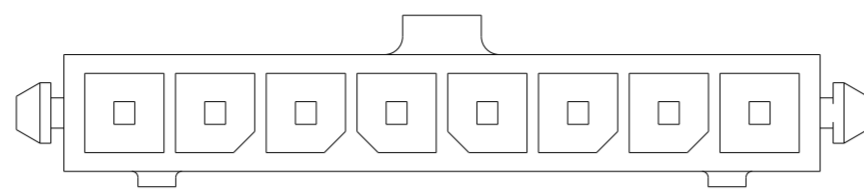
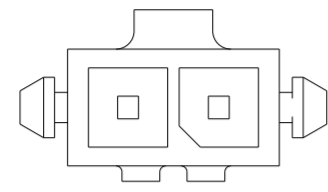
OBSOLETE	-37.00	33.00	37.43	40.00	12	3-1445090-2
OBSOLETE	-34.00	30.00	34.43	37.00	11	3-1445090-1
OBSOLETE	-31.00	27.00	31.43	34.00	10	3-1445090-0
OBSOLETE	-28.00	24.00	28.43	31.00	9	2-1445090-9
OBSOLETE	-25.00	21.00	25.43	28.00	8	2-1445090-8
OBSOLETE	-22.00	18.00	22.43	25.00	7	2-1445090-7
OBSOLETE	-19.00	15.00	19.43	22.00	6	2-1445090-6
	16.00	12.00	16.43	19.00	5	2-1445090-5
	13.00	9.00	13.43	16.00	4	2-1445090-4
OBSOLETE	-10.00	6.00	10.43	13.00	3	2-1445090-3
OBSOLETE	-7.00	3.00	7.43	10.00	2	2-1445090-2
	DIM X	DIM Z	DIM V	DIM W	NO. OF POSN	PART NUMBER

THIS DRAWING IS A CONTROLLED DOCUMENT.		DWN J. ROOT 09OCT2000	TE Connectivity			
DIMENSIONS: mm		CHK K. WHITAKER 17-APR-2001				
TOLERANCES UNLESS OTHERWISE SPECIFIED:		APVD C. JONES 17-APR-2001	NAME RIGHT ANGLE SURF MOUNT HEADER ASSY, 0.38Au or 0.31PdNi CNTC, W/THRU HOLE HOLDDOWNS, SGL ROW, MICRO MATE-N-LOK™			
0 PLC ± 1 PLC ± 2 PLC ±0.20 3 PLC ± 4 PLC ± ANGLES ±1° FINISH		PRODUCT SPEC 108-1836	SIZE A2	CAGE CODE 00779	DRAWING NO. C-1445090	RESTRICTED TO -
MATERIAL 1		APPLIC. SPEC 114-13000	WEIGHT -	SCALE 4:1		SHEET 1 OF 2
		CUSTOMER DRAWING		REV C		

THIS DRAWING IS UNPUBLISHED. RELEASED FOR PUBLICATION
 © COPYRIGHT copyright.d8te- ALL RIGHTS RESERVED.

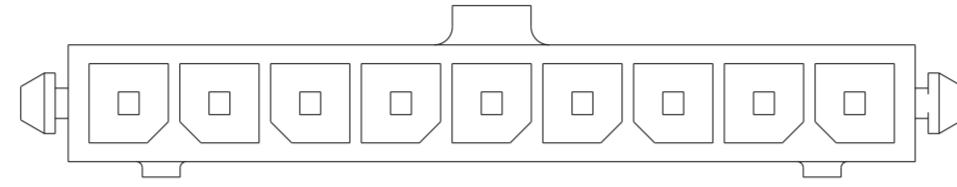
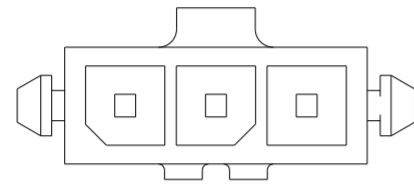
REVISIONS				
P	LTR	DESCRIPTION	DATE	APVD
-	-	SEE SHEET 1	-	-

2 POS.



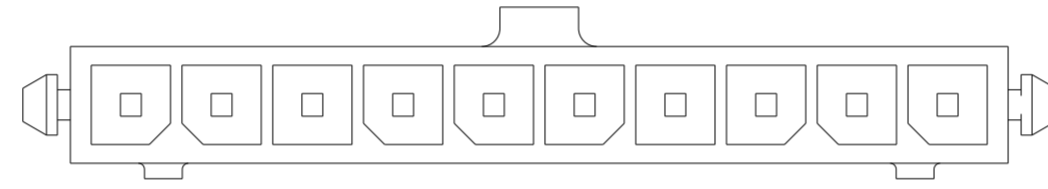
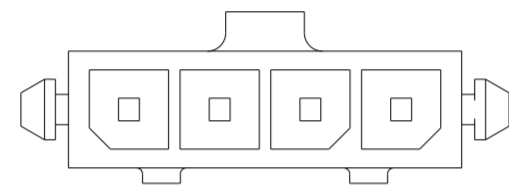
8 POS.

3 POS.



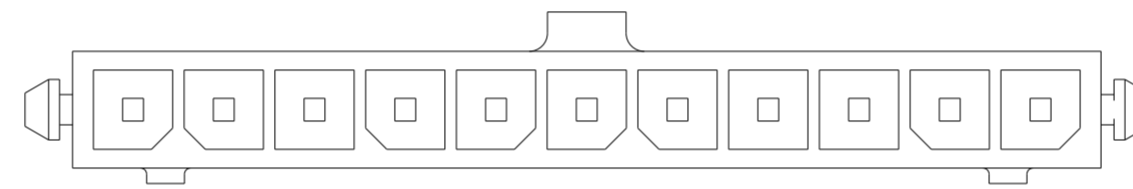
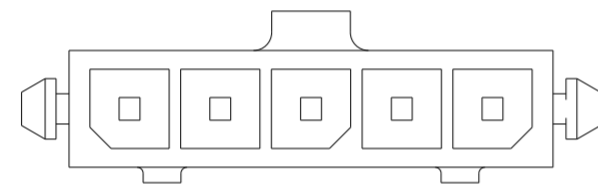
9 POS.

4 POS.



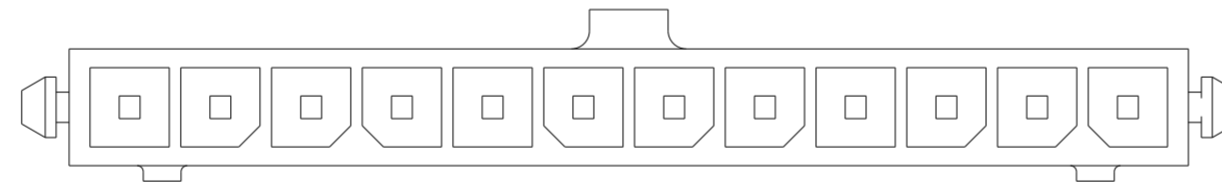
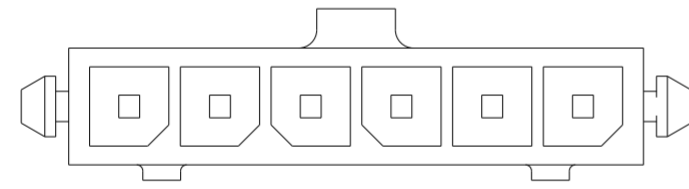
10 POS.

5 POS.



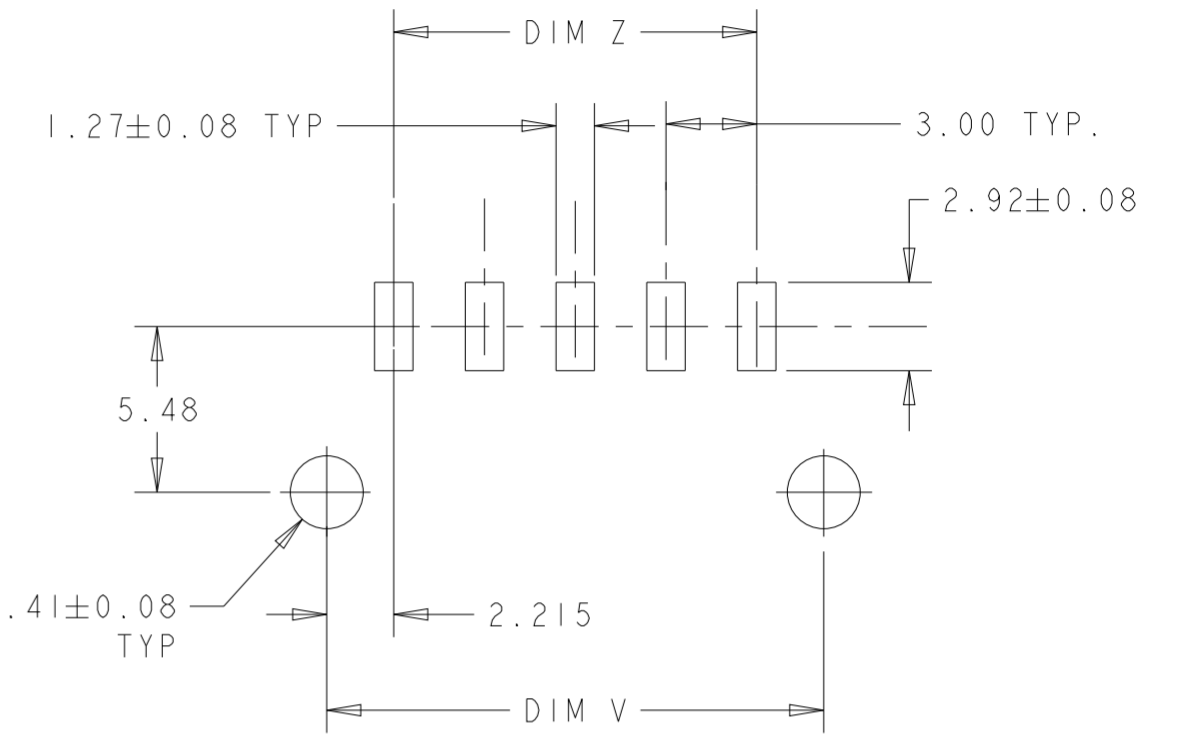
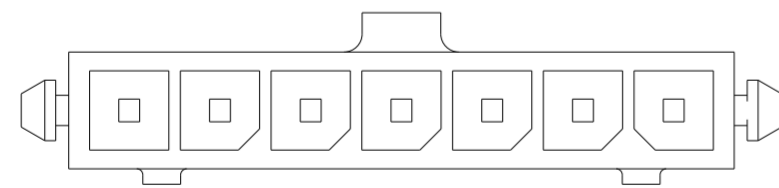
11 POS.

6 POS.



12 POS.

7 POS.



PCB LAYOUT COMPONENT SIDE

KEYING BY POSITION SIZE

THIS DRAWING IS A CONTROLLED DOCUMENT.		DWN J. ROOT 09OCT2000	TE Connectivity	
DIMENSIONS: mm		CHK K. WHITAKER 17-APR-2001		
TOLERANCES UNLESS OTHERWISE SPECIFIED:		APVD C. JONES 17-APR-2001	NAME RIGHT ANGLE SURF MOUNT HEADER ASSY, 0.38Au or 0.31PdNi CNTC, W/THRU HOLE HOLDDOWNS, SGL ROW, MICRO MATE-N-LOK	
		PRODUCT SPEC 108-1836	SIZE A2	CAGE CODE 00779
MATERIAL		APPLICATION SPEC 114-13000	DRAWING NO C-1445090	RESTRICTED TO -
		WEIGHT -	SCALE 4:1	SHEET 2 OF 2
		CUSTOMER DRAWING	REV C	