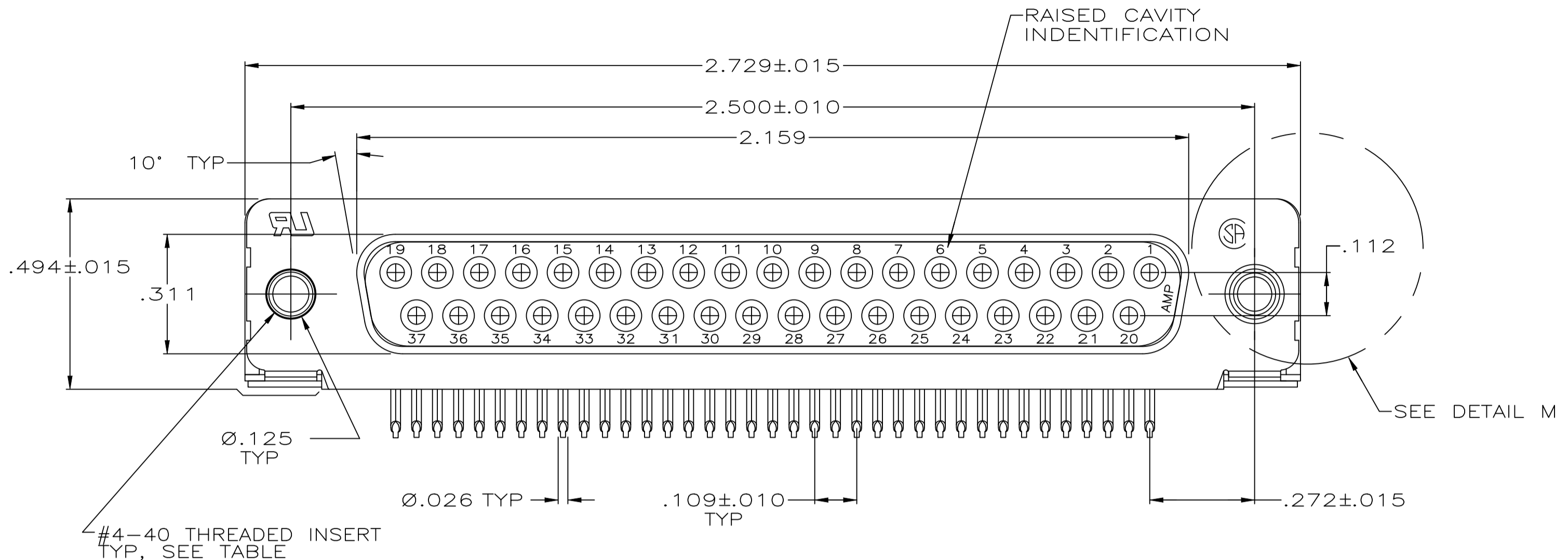
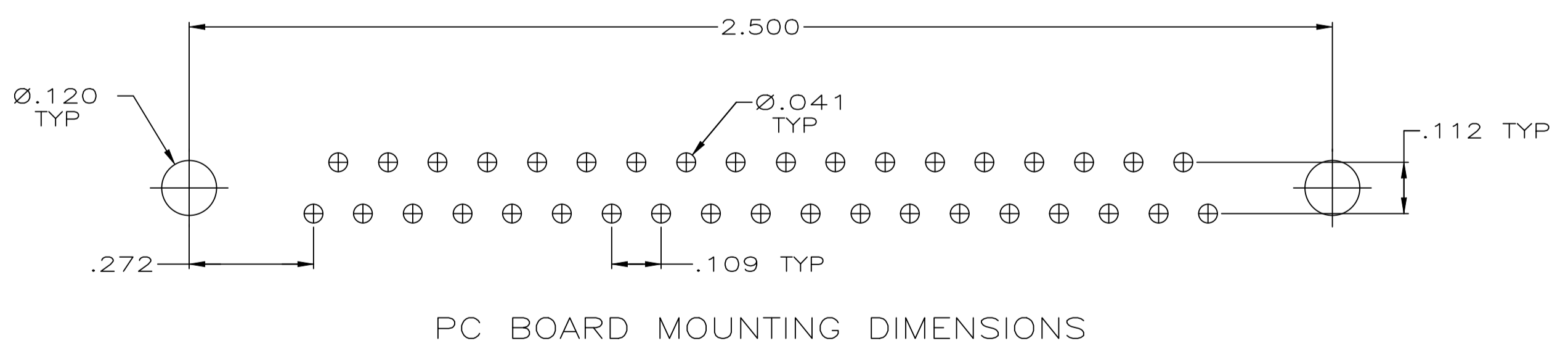
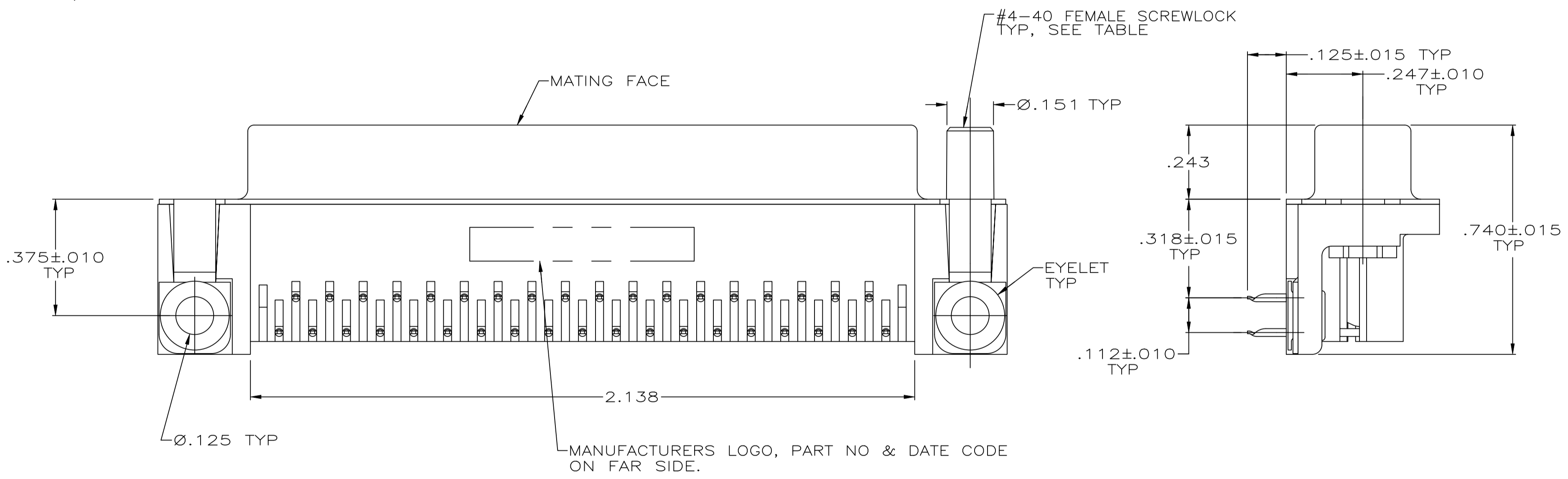


REVISIONS				
REV	DATE	BY	CHKD	APPD
P1	19SEP2025	PK	SKN	



- 1 MOLDED PARTS: FLAME RETARDANT 94V-0 RATED THERMOPLASTIC, BLACK.
SHELL: CARBON STEEL
CONTACTS: PHOSPHOR BRONZE
EYELETS: BRASS
SCREWLOCKS: ZINC
INSERTS: ZINC
- 2 SHELL: .000100 MIN TIN OVER .000050 MIN COPPER.
CONTACTS: .000030 MIN GOLD FOR A DISTANCE OF .100 MIN FROM MATING END, .000100 MIN TIN ON OPPOSITE END, ALL OVER .000050 MIN NICKEL.
EYELETS: .000100 MIN TIN OVER COPPER FLASH.
SCREWLOCKS: CLEAR CHROMATE
INSERTS: CLEAR CHROMATE
- 3 OBSOLETE PARTS: OBSOLETE CIS STREAMLINING PER D.RENAUD/D.SINISI



OBsolete	FEMALE SCREWLOCKS	-5745784-6-
	THREADED INSERTS	5745784-4
3 OBsolete	NONE	-5745784-2-
	MOUNTING HARDWARE	PART NUMBER

**COPYRIGHT 2005
TE CONNECTIVITY CORP
ALL RIGHTS RESERVED**

THIS DRAWING IS A CONTROLLED DOCUMENT.		OWN: A. FERNANDEZ-DOCKS 04-07-05	TE Connectivity	
DIMENSIONS: INCHES		CHK: S. BOLASH 04-07-05	RCPT ASSY SIZE 4, 37 POSN RTANG AMPLIMITE HD-20, WITH METAL SHELL	
TOLERANCES UNLESS OTHERWISE SPECIFIED:		APVD: M. WALMSLEY 04-07-05	PRODUCT SPEC: 108-40025	
0 PLC ± -		NAME: RCPT ASSY SIZE 4, 37 POSN RTANG AMPLIMITE HD-20, WITH METAL SHELL	APPLICATION SPEC: 114-40010	
1 PLC ± -		SIZE: A1	CAGE CODE: 00779	DRAWING NO: 5745784
2 PLC ± .005		WEIGHT: 0.000000	SCALE: 4:1	RESTRICTED TO: -
3 PLC ± .005		CUSTOMER DRAWING	SHEET: 1 OF 1	REV: P1
4 PLC ± .005				
ANGLES ± ° ± '				
MATERIAL: 1				
FINISH: 2				