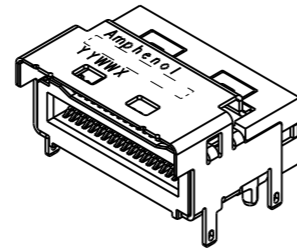
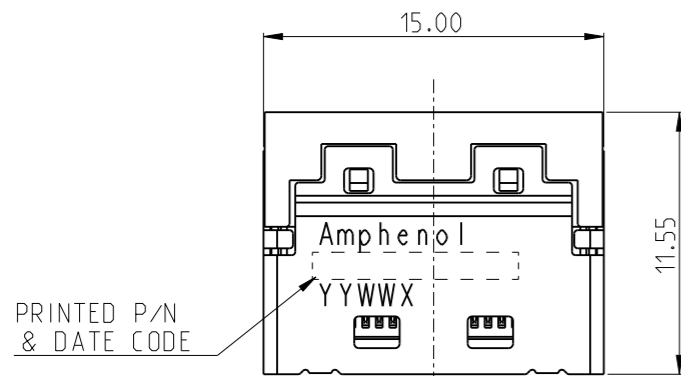


This document is the property of Amphenol Corporation and is delivered on the express condition that it is not to be disclosed, reproduced or used, in whole or in part, for manufacture or sale by anyone other than Amphenol Corporation without its prior consent, and that no right is granted to disclose or to use any information in this document.

The marking on this product doesn't contain environmental hazardous materials per directive 2011/65/EU & 2015/863/EU for RoHS compliant & per IEC 61249-2-21 for Halogen-Free compliant.

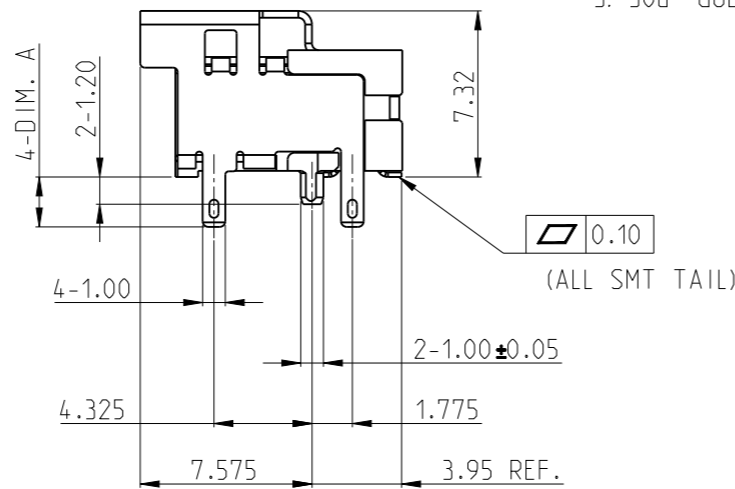
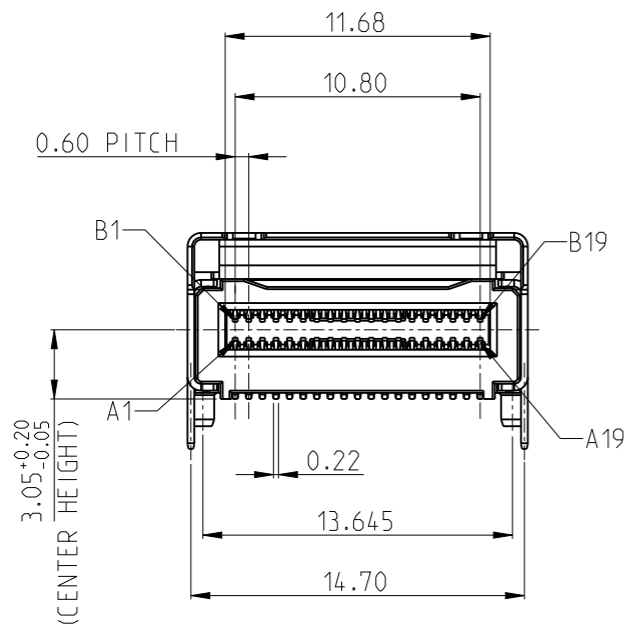


REVISIONS				
SYM	ECN No.	DESCRIPTION	DATE	BY
A	NE-22202	RELEASE TO PRODCUTION	2022-10-13	Sondra Sang
B	NE-23037	CHANGED 3.05 TOL. FROM +/-0.20 TO BE +0.20/-0.05	2023-02-13	Sondra Sang
C	NE-23084	CORRECT POST OD TOLERANCE TO BE 1.00+/-0.05 MODIFIED SHELL ON BOTTOM VIEW	2023-05-11	Sondra Sang
D	NE-25123	CHANGED DATE CODE FROM YYWW TO BE YYW WX	2025-05-26	Sondra Sang



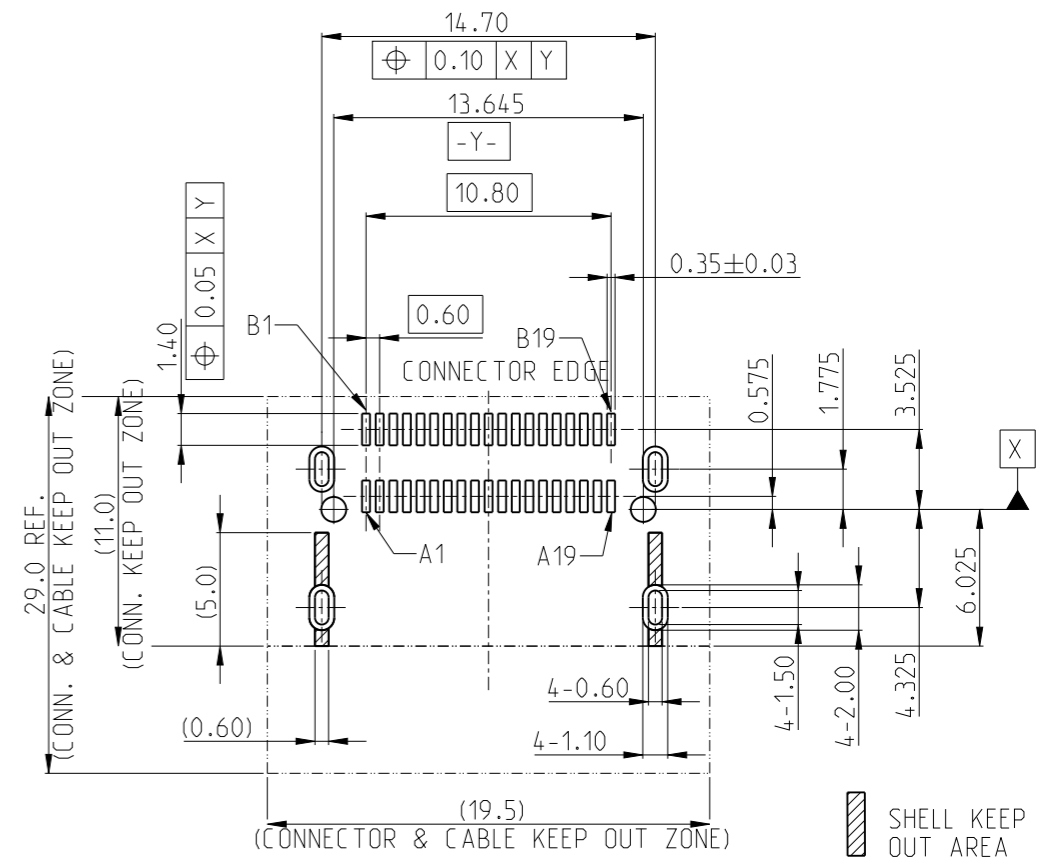
PART NUMBER  
**G97 R X X X X X HR**

- MINI COOL EDGE IO INTEGRATED CONNECTOR
- RIGHT ANGLE TYPE
- CONNECTOR SPEED  
2: PCIE GEN5
- PIN QTY/ CHANNEL  
1: 38 PIN (4X+SB OR 6X)  
2: 74 PIN (8X+SB OR 12X)  
4: 124 PIN (16X+SB OR 20X)  
6: 148 PIN (20X+SB OR 24X)
- \*SB: SIDEBAND
- CONTACT FINISH  
2: 15u" GOLD  
3: 30u" GOLD
- COMPLIANT CODE  
HR: HALOGEN FREE & RoHS
- VARIATION CODE  
BLANK: STANDARD
- PACKING CODE  
2: TAPE & REEL  
5: TAPE & REEL FOR CUSTOMIZED
- SHELL TAIL LENGTH OPTIONS (DIM. A)  
1: 1.50 mm  
2: 2.20 mm  
3: 3.00 mm  
4: 4.20 mm  
5: 1.20 mm  
7: 2.60 mm



DATE CODE  
YY W W X  
X: INTERNAL USE  
WEEK: 25 (25th WEEK)  
YEAR: 25 (2025)

**38 PIN**



- NOTES:
- HOUSING/ SPACER: LCP, UL 94V-0, COLOR-BLACK
  - TERMINAL: COPPER ALLOY, 0.20mm THICKNESS, SELECTED GOLD PLATING ON CONTACT AREA, 100u" MIN. MATTE TIN ON SOLDERING TAIL, 50u" MIN. NICKEL UNDER-PLATING OVERALL
  - METAL SHELL: STAINLESS STEEL, 0.30mm THICKNESS, 50u" MIN. SOLDERABLE NICKEL PLATING ON SOLDERING TAIL
  - PRODUCT SPECIFICATION REFERS TO PS-7755
  - THIS PRODUCT DOESN'T CONTAIN ENVIRONMENTAL HAZARDOUS MATERIALS PER DIRECTIVE 2011/65/EU AND 2015/863/EU FOR RoHS AND PER IEC 61249-2-21 FOR HALOGEN FREE COMPLIANT.

TOLERANCE	DRAWN	APPROVALS	DATE	TITLE	UNIT	SIZE	PART No.
X. X.X ±0.30 X.XX ±0.20 X.XXX ±0.10	DESIGNED	Sondra Sang	2025-05-26	MINI COOL EDGE IO INTEGRATED CONNECTOR 0.6 PITCH, 85 OHM RIGHT ANGLE FOR PCIE TYPE	mm	A3	G97RXXXXXXHR
	CHECKED	Joan Lu	2025-05-26				
ANGULAR ±2°	APPROVED	Hank Hsu	2025-05-26		NA	1 OF 6	G97RXXXXXXHR
UNLESS OTHERWISE SPECIFIED	DWG TYPE	CUST DWG	PROJECT CODE				

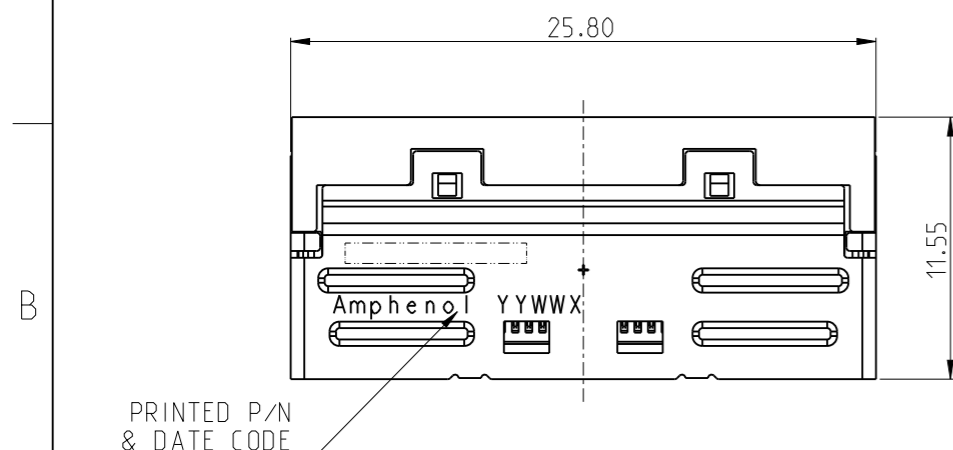
**Amphenol®**  
Amphenol Corporation  
Amphenol Taiwan Corporation

This document is the property of Amphenol Corporation and is delivered on the express condition that it is not to be disclosed, reproduced or used, in whole or in part, for manufacture or sale by anyone other than Amphenol Corporation without its prior consent, and that no right is granted to disclose or to use any information in this document.

The marking on this product doesn't contain environmental hazardous materials per directive 2011/65/EU & 2015/863/EU for RoHS compliant & per IEC 61249-2-21 for Halogen-Free compliant.

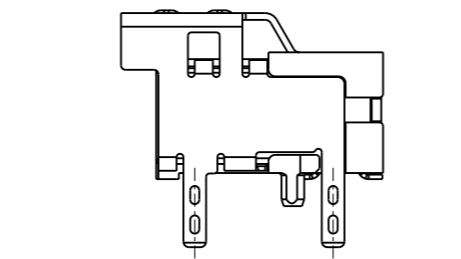
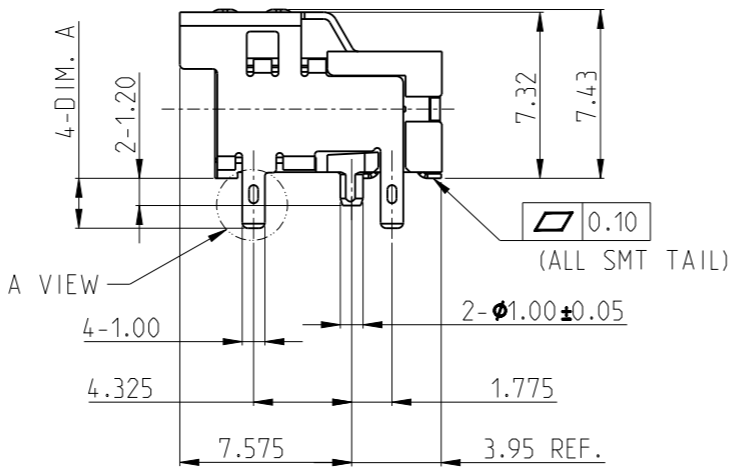
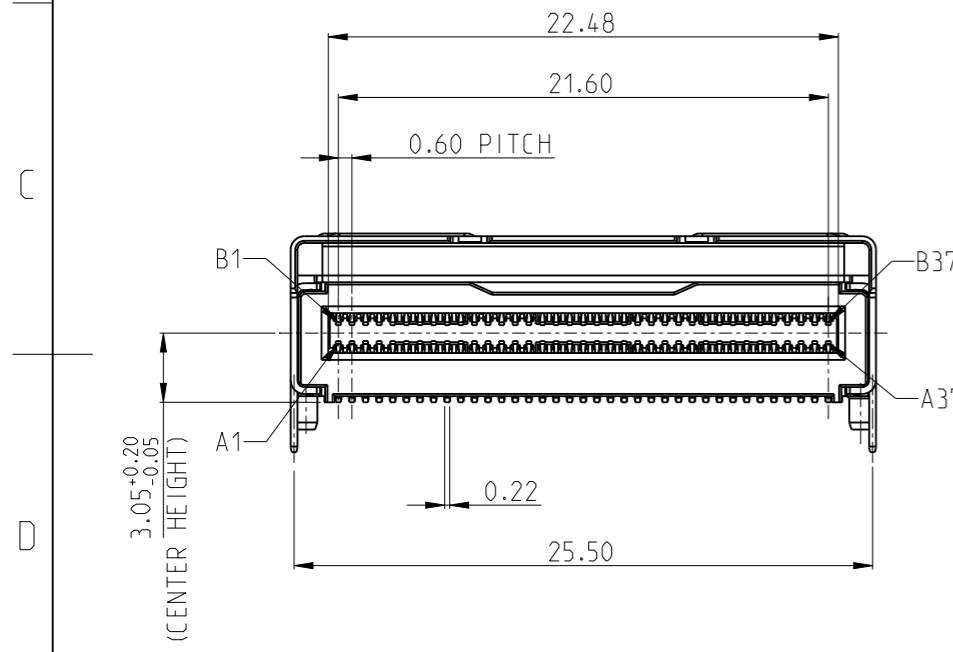
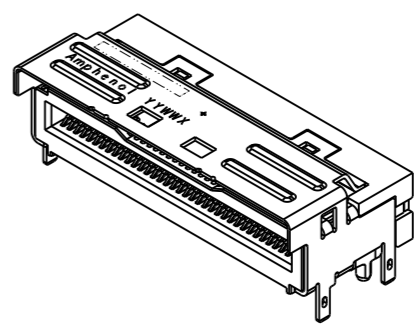


REVISIONS				
SYM	ECN No.	DESCRIPTION	DATE	BY
A	NE-22202	RELEASE TO PRODUCTION	2022-10-13	Sondra Sang
B	NE-23037	CHANGED 3.05 TOL. FROM +/-0.20 TO BE +0.20/-0.05	2023-02-13	Sondra Sang
C	NE-23084	CORRECT POST OD TOLERANCE TO BE 1.00+/-0.05 MODIFIED SHELL ON BOTTOM VIEW	2023-05-11	Sondra Sang
D	NE-25123	CHANGED DATE CODE FROM YYWW TO BE YYW WX	2025-05-26	Sondra Sang



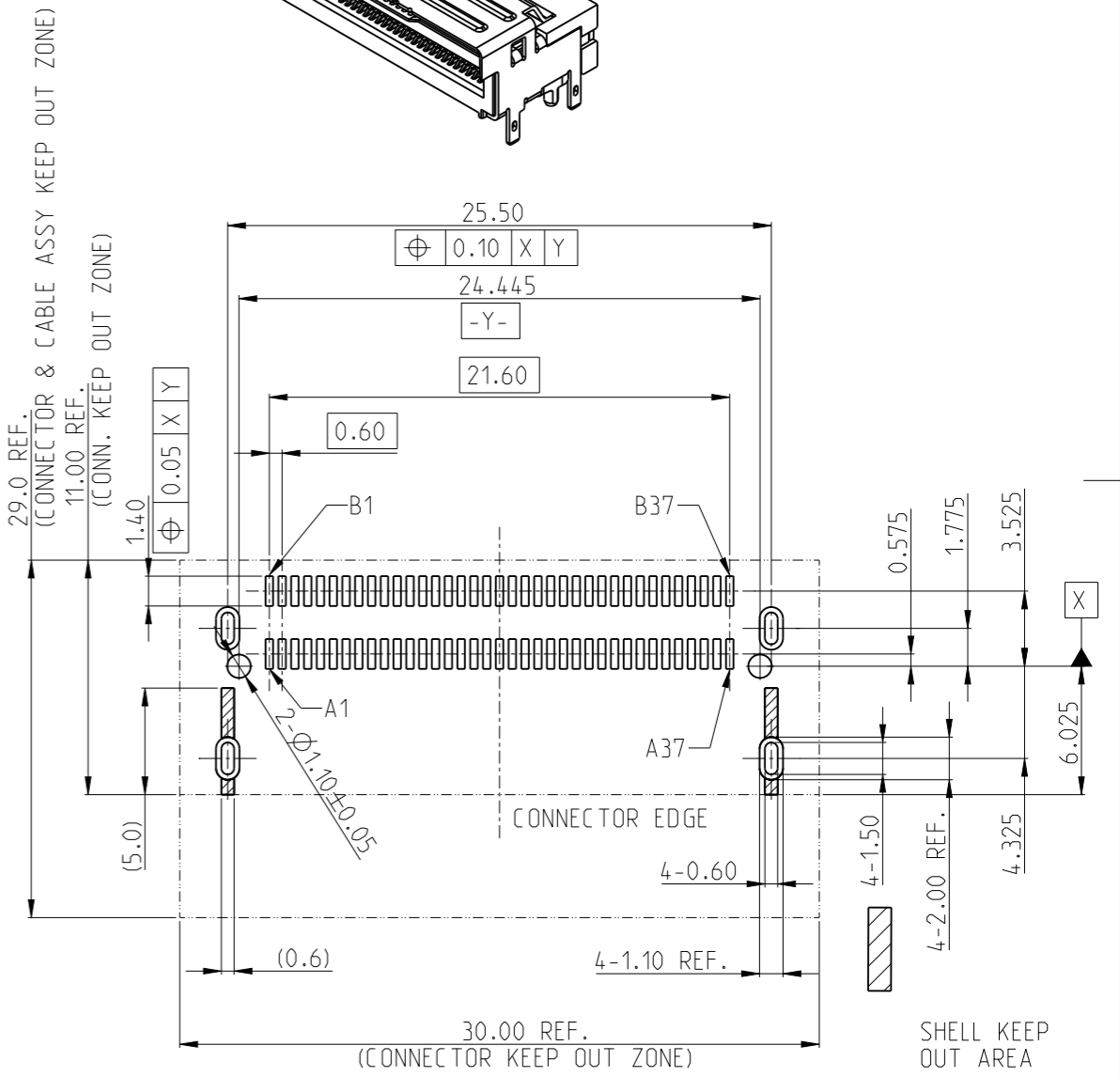
DATE CODE  
YY W W X

X: INTERNAL USE  
WEEK: 25 (25th WEEK)  
YEAR: 25 (2025)

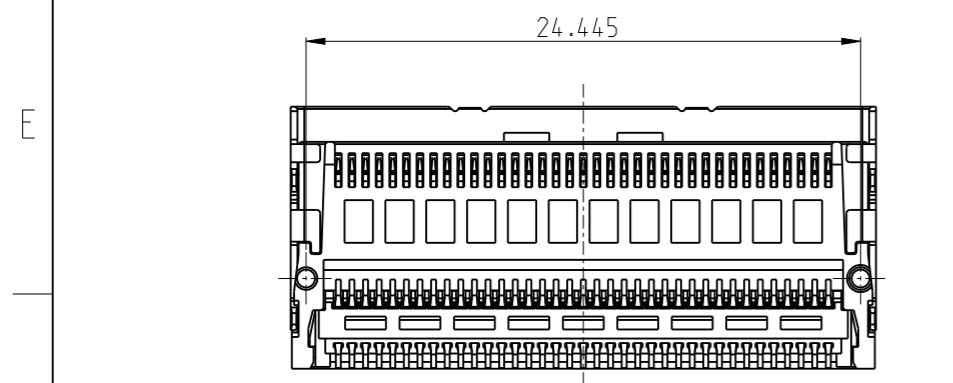


A VIEW  
(SHELL TAIL LENGTH IS 3.0 & 4.2)

74 PIN



RECOMMENDED PCB LAYOUT (TOP VIEW)  
(GENERAL TOLERANCES: ±0.05)



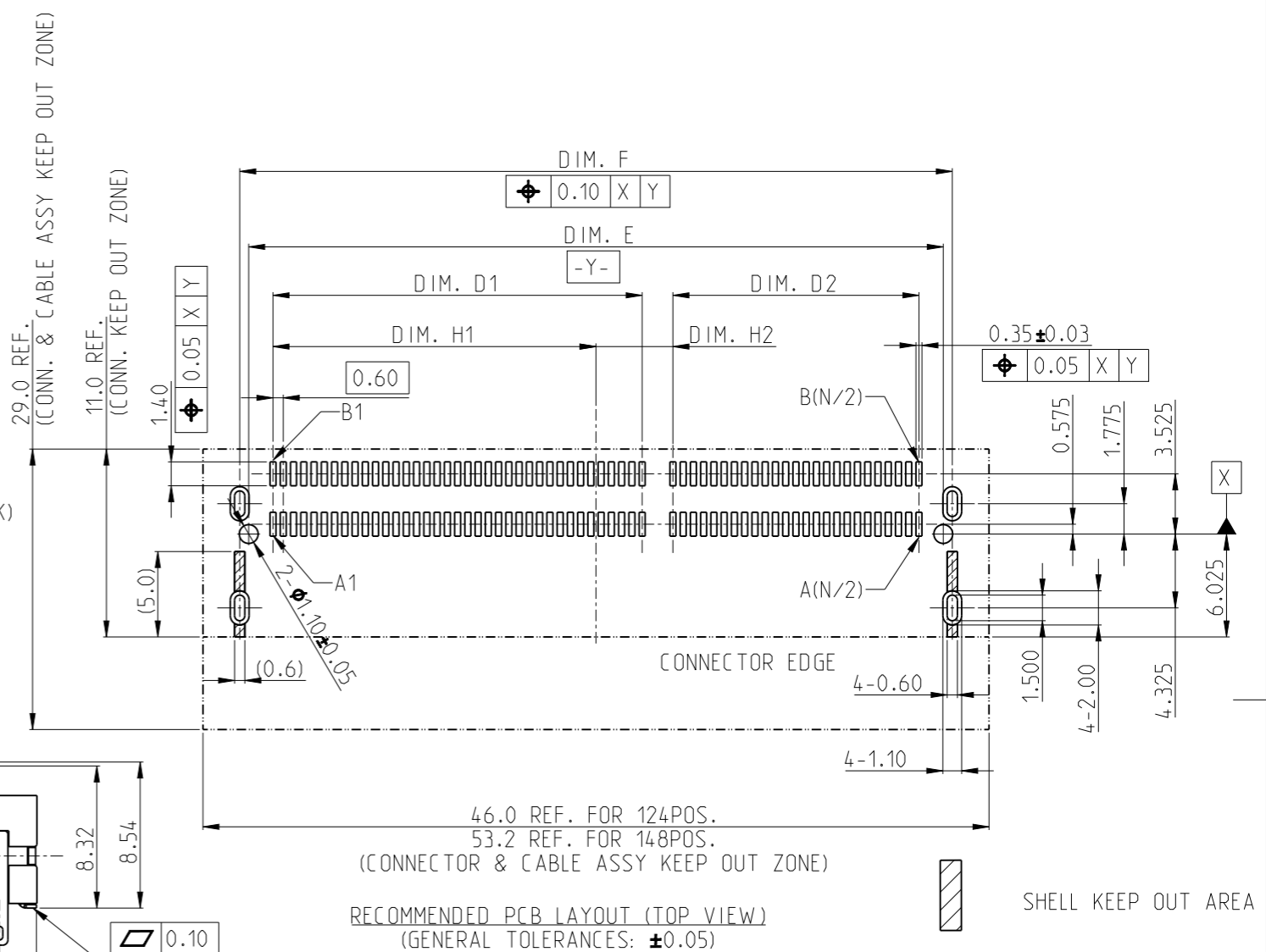
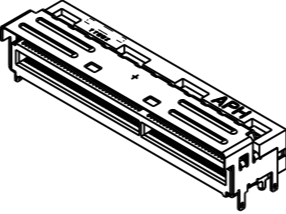
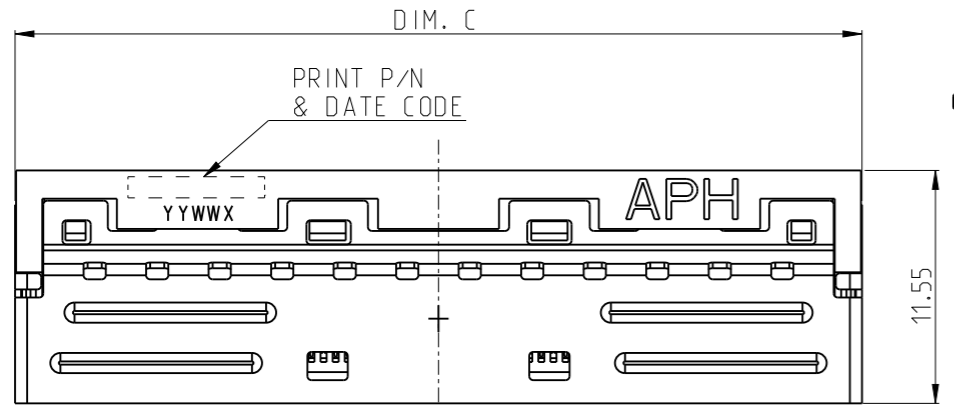
TOLERANCE	DRAWN	APPROVALS	DATE	TITLE	UNIT	SIZE	PART No.
X. X.X ±0.30 X.XX ±0.20 X.XXX ±0.10	DESIGNED	Sondra Sang	2025-05-26	MINI COOL EDGE IO INTEGRATED CONNECTOR 0.6 PITCH, 85 OHM RIGHT ANGLE FOR PCIE TYPE	mm	A3	G97RXXXXXXHR
	CHECKED	Joan Lu	2025-05-26		SCALE	SHEET	DWG No.
ANGULAR ±2°	APPROVED	Hank Hsu	2025-05-26		NA	2 OF 6	G97RXXXXXXHR
UNLESS OTHERWISE SPECIFIED	DWG TYPE	CUST DWG	PROJECT CODE				REV.
			T687			D	

This document is the property of Amphenol Corporation and is delivered on the express condition that it is not to be disclosed, reproduced or used, in whole or in part, for manufacture or sale by anyone other than Amphenol Corporation without its prior consent, and that no right is granted to disclose or to use any information in this document.

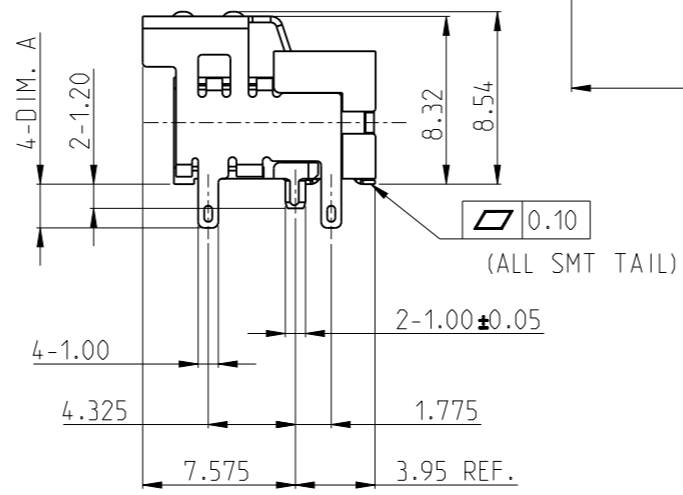
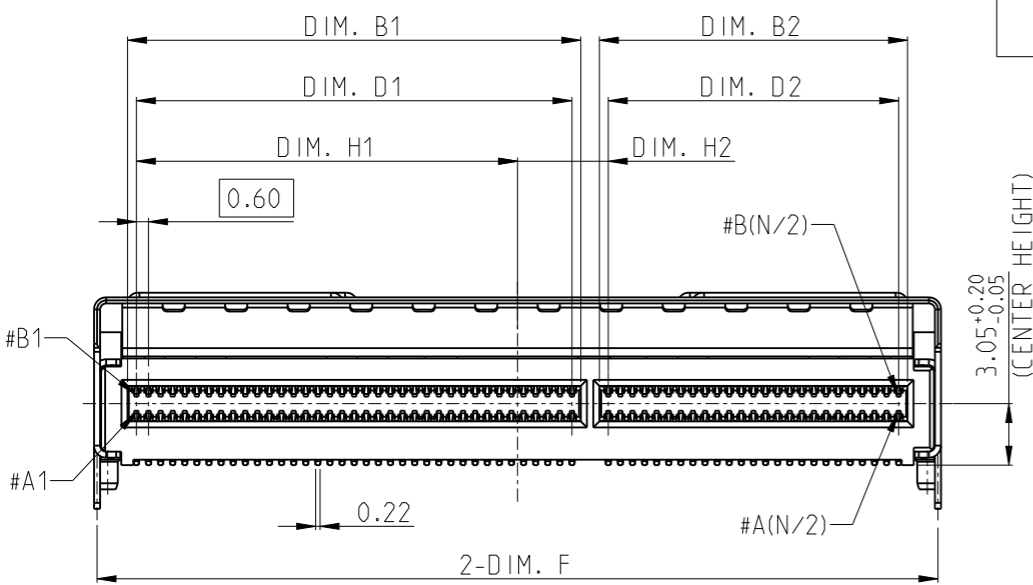
The marking on this product doesn't contain environmental hazardous materials per directive 2011/65/EU & 2015/863/EU for RoHS compliant & per IEC 61249-2-21 for Halogen-Free compliant.



REVISIONS				
SYM	ECN No.	DESCRIPTION	DATE	BY
A	NE-22202	RELEASE TO PRODUCTION	2022-10-13	Sondra Sang
B	NE-23037	CHANGED 3.05 TOL. FROM +/-0.20 TO BE +0.20/-0.05	2023-02-13	Sondra Sang
C	NE-23084	CORRECT POST OD TOLERANCE TO BE 1.00 +/-0.05 MODIFIED SHELL ON BOTTOM VIEW	2023-05-11	Sondra Sang
D	NE-25123	CHANGED DATE CODE FROM YYWW TO BE YYWWX	2025-05-26	Sondra Sang



DATE CODE  
YY WW X  
X: INTERNAL USE  
WEEK: 25 (25th WEEK)  
YEAR: 25 (2025)



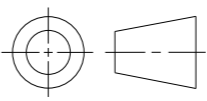
RECOMMENDED PCB LAYOUT (TOP VIEW)  
(GENERAL TOLERANCES: ±0.05)

124 PIN & 148 PIN

PART NUMBER	POS. (N)	DIM. B1	DIM. B2	DIM. C	DIM. D1	DIM. D2	DIM. E	DIM. F	DIM. H1	DIM. H2
G97RX4XXXXHR	124	22.48	15.28	42.00	21.60	14.40	40.645	41.70	18.90	4.50
G97RX6XXXXHR	148	22.48	22.48	49.20	21.60	21.60	47.845	48.90	22.50	0.90

TOLERANCE	DESIGNED	DATE	TITLE	UNIT		SIZE		PART No.	
X. ±0.30	Sondra Sang	2025-05-26	MINI COOL EDGE IO INTEGRATED CONNECTOR 0.6 PITCH, 85 OHM RIGHT ANGLE FOR PCIE TYPE	mm	A3		G97RXXXXXXHR		
X.XX ±0.20	Joan Lu	2025-05-26		SCALE	SHEET		REV.		
X.XXX ±0.10	Hank Hsu	2025-05-26	UNLESS OTHERWISE SPECIFIED	NA	3 OF 6		D		
ANGULAR ±2°	CUST DWG	T687		DWG No.		G97RXXXXXXHR			

**Amphenol®**  
Amphenol Corporation  
Amphenol Taiwan Corporation

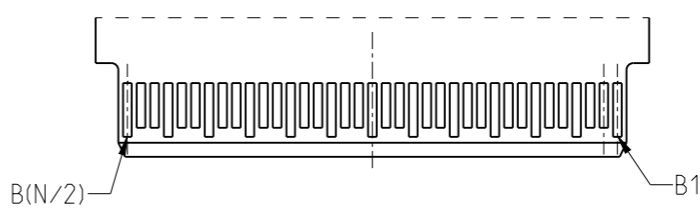
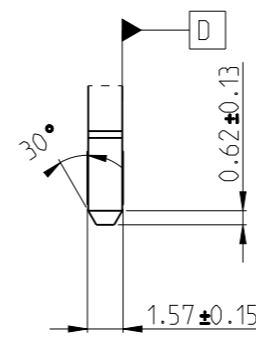
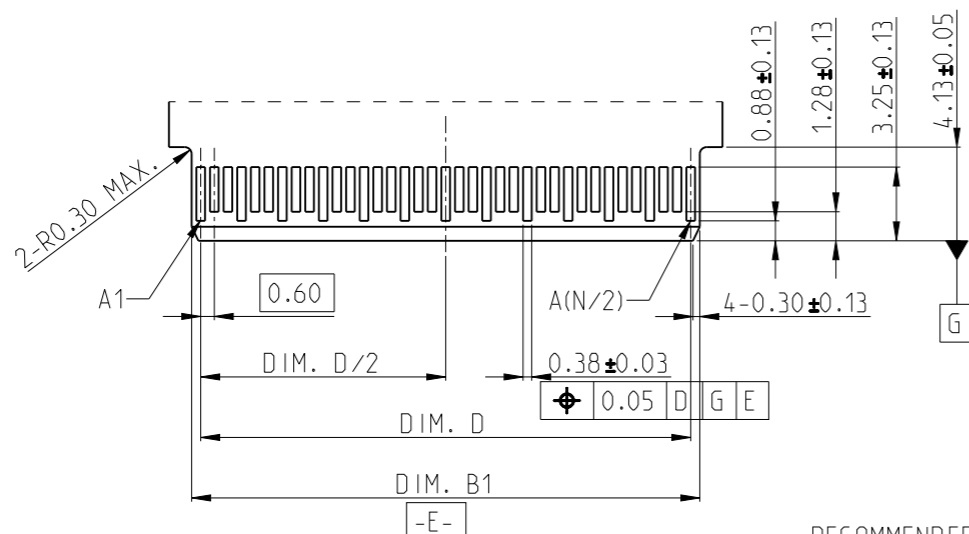


This document is the property of Amphenol Corporation and is delivered on the express condition that is not to be disclosed, reproduced or used, in whole or in part, for manufacture or sale by anyone other than Amphenol Corporation without its prior consent, and that no right is granted to disclose or to use any information in this document.

The marking on this product doesn't contain environmental hazardous materials per directive 2011/65/EU & 2015/863/EU for RoHS compliant & per IEC 61249-2-21 for Halogen-Free compliant.

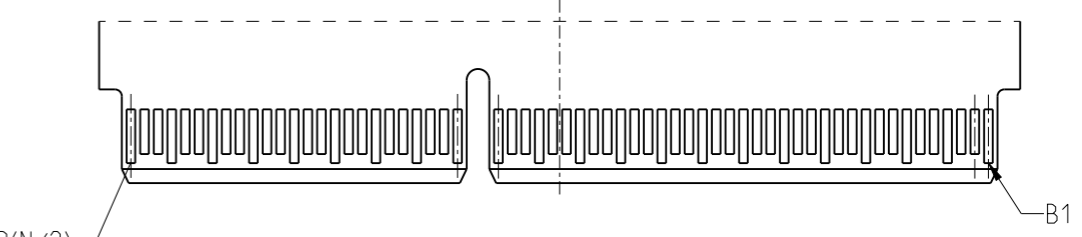
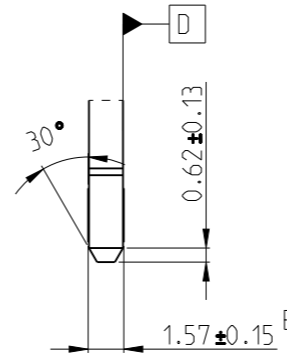
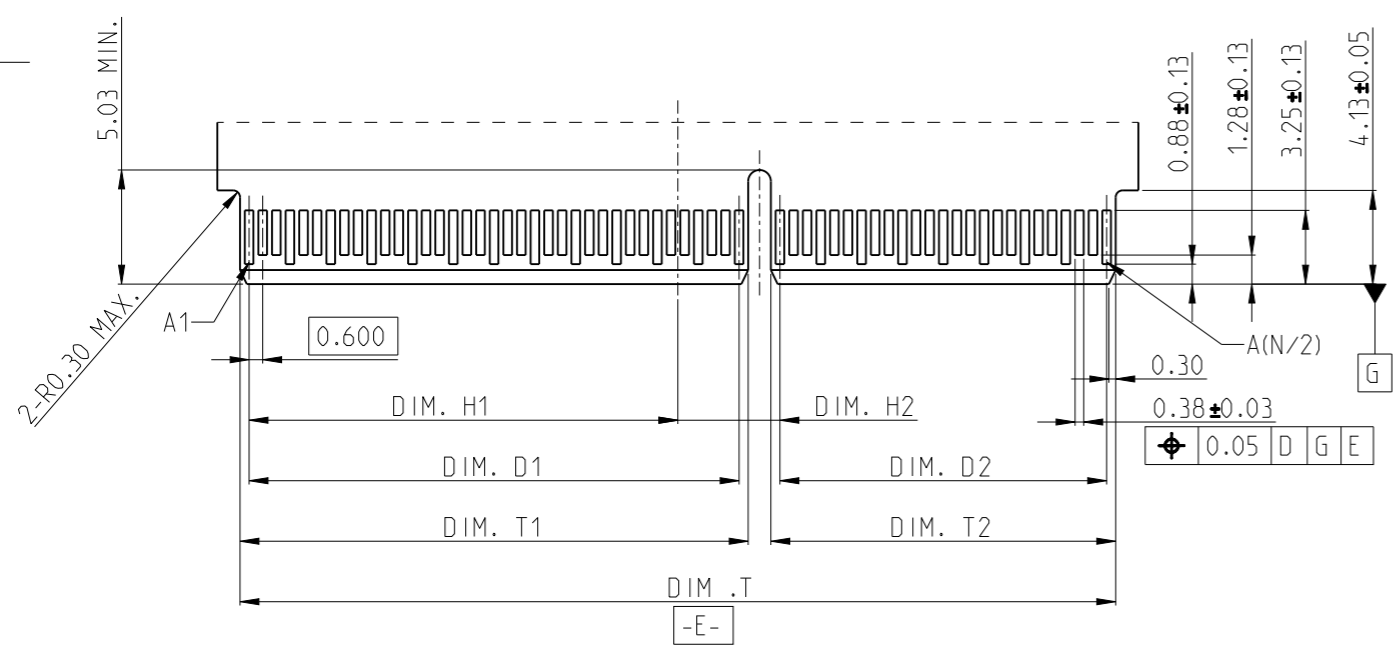


REVISIONS				
SYM	ECN No.	DESCRIPTION	DATE	BY
A	NE-22202	RELEASE TO PRODUCTION	2022-10-13	Sondra Sang
B	NE-23037	CHANGED 3.05 TOL. FROM +/-0.20 TO BE +0.20/-0.05	2023-02-13	Sondra Sang
C	NE-23084	CORRECT POST OD TOLERANCE TO BE 1.00+/-0.05 MODIFIED SHELL ON BOTTOM VIEW	2023-05-11	Sondra Sang
D	NE-25123	CHANGED DATE CODE FROM YYWW TO BE YYW WX	2025-05-26	Sondra Sang



RECOMMENDED MATING CARD (38PIN & 74PIN)  
(GENERAL TOLERANCES: ±0.05)

PART NUMBER	POS. (N)	DIM. B1	DIM. D
G97RX1XXXXHR	38	11.60	10.80
G97RX2XXXXHR	74	22.40	21.60



RECOMMENDED MATING CARD (124PIN & 148PIN)  
(GENERAL TOLERANCES: ±0.05)

PART NUMBER	POS. (N)	DIM. D1	DIM. D2	DIM. H1	DIM. H2	DIM. T	DIM. T1	DIM. T2
G97RX4XXXXHR	124	21.60	14.40	18.90	4.50	38.60	22.40	15.20
G97RX6XXXXHR	148	21.60	21.60	22.50	0.90	45.80	22.40	22.40

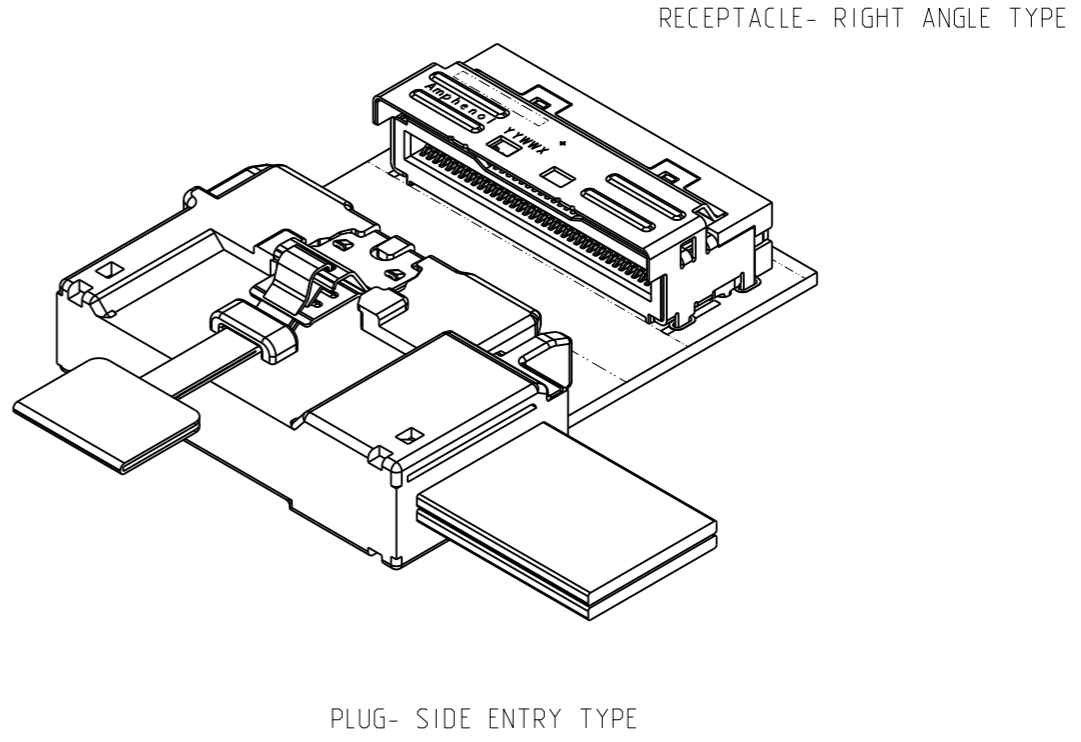
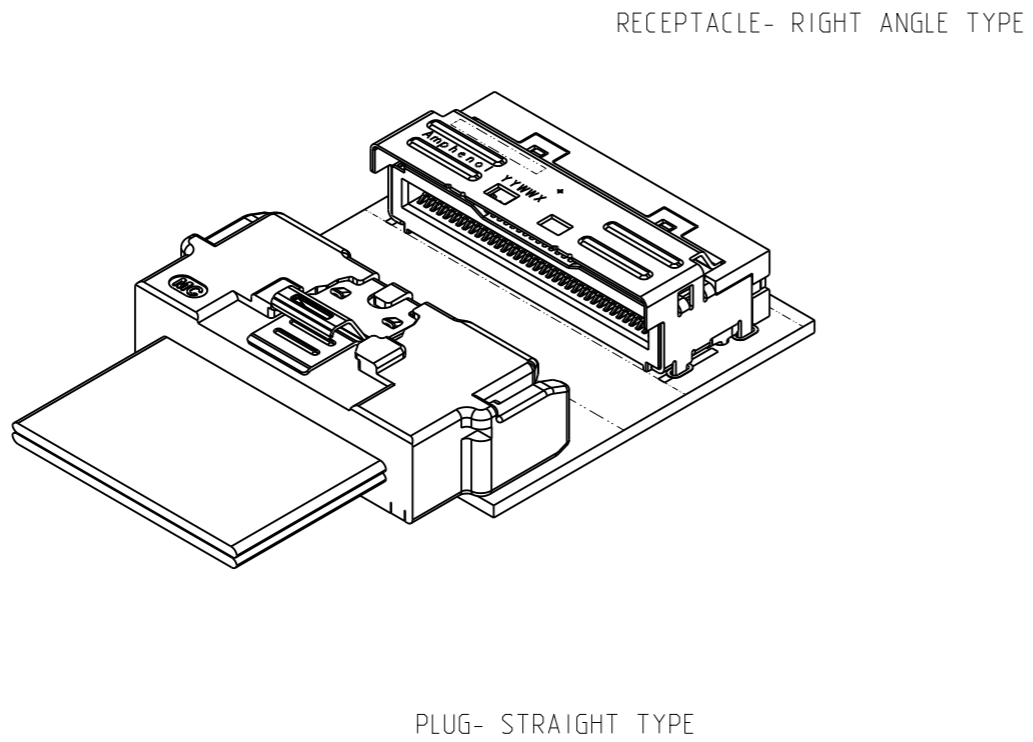
TOLERANCE	DRAWN	APPROVALS	DATE	TITLE						
X. X.X ±0.30 X.XX ±0.20 X.XXX ±0.10	DESIGNED	Sondra Sang	2025-05-26	MINI COOL EDGE IO INTEGRATED CONNECTOR 0.6 PITCH, 85 OHM RIGHT ANGLE FOR PCIE TYPE	 <b>Amphenol Corporation</b> <b>Amphenol Taiwan Corporation</b>					
	CHECKED	Joan Lu	2025-05-26							
	APPROVED	Hank Hsu	2025-05-26							
ANGULAR ±2°	DWG TYPE	CUST DWG	PROJECT CODE	T687	UNIT	mm	SIZE	A3	PART No.	G97RXXXXXXHR
UNLESS OTHERWISE SPECIFIED					SCALE	NA	SHEET	4 OF 6	DWG No.	G97RXXXXXXHR
									REV.	D

This document is the property of Amphenol Corporation and is delivered on the express condition that is not to be disclosed, reproduced or used, in whole or in part, for manufacture or sale by anyone other than Amphenol Corporation without its prior consent, and that no right is granted to disclose or to use any information in this document.

The marking on this product doesn't contain environmental hazardous materials per directive 2011/65/EU & 2015/863/EU for RoHS compliant & per IEC 61249-2-21 for Halogen-Free compliant.



REVISIONS				
SYM	ECN No.	DESCRIPTION	DATE	BY
A	NE-22202	RELEASE TO PRODUCTION	2022-10-13	Sondra Sang
B	NE-23037	CHANGED 3.05 TOL. FROM +/-0.20 TO BE +0.20/-0.05	2023-02-13	Sondra Sang
C	NE-23084	CORRECT POST OD TOLERANCE TO BE 1.00+/-0.05 MODIFIED SHELL ON BOTTOM VIEW	2023-05-11	Sondra Sang
D	NE-25123	CHANGED DATE CODE FROM YYWW TO BE YYW WX	2025-05-26	Sondra Sang



**RECOMMENDED MATING STYLE**

<b>TOLERANCE</b> X.                    ±0.30 X.X                ±0.20 X.XX              ±0.10 X.XXX  ANGULAR    ±2°  UNLESS OTHERWISE SPECIFIED	<b>DRAWN</b> APPROVALS DESIGNED Sondra Sang CHECKED Joan Lu APPROVED Hank Hsu DWG TYPE CUST DWG	<b>DATE</b> 2025-05-26 2025-05-26 2025-05-26 PROJECT CODE T687	<b>TITLE</b> MINI COOL EDGE IO INTEGRATED CONNECTOR 0.6 PITCH, 85 OHM RIGHT ANGLE FOR PCIE TYPE  	UNIT    mm    SIZE    A3 SCALE   NA    SHEET   5 OF 6	<b>Amphenol®</b> <b>Amphenol Corporation</b> <b>Amphenol Taiwan Corporation</b> PART No.    G97RXXXXXHR DWG No.    G97RXXXXXHR    REV.    D
---	--	---	--	--	---

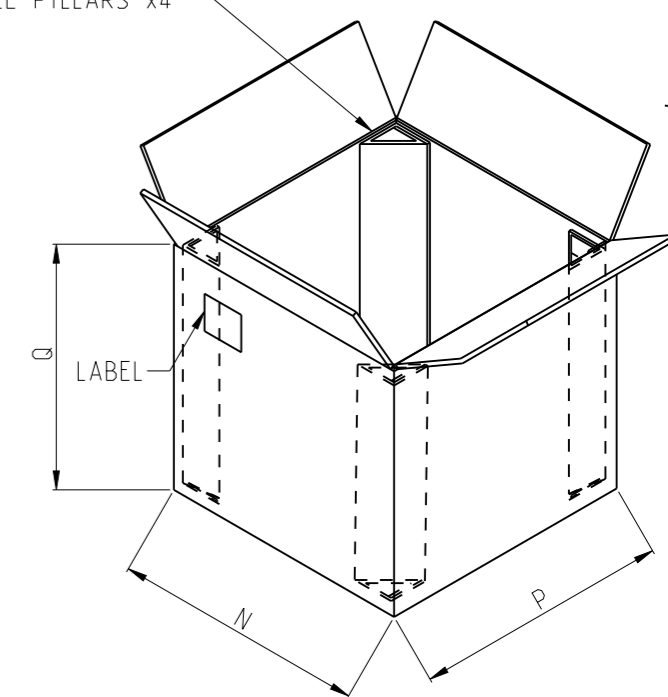
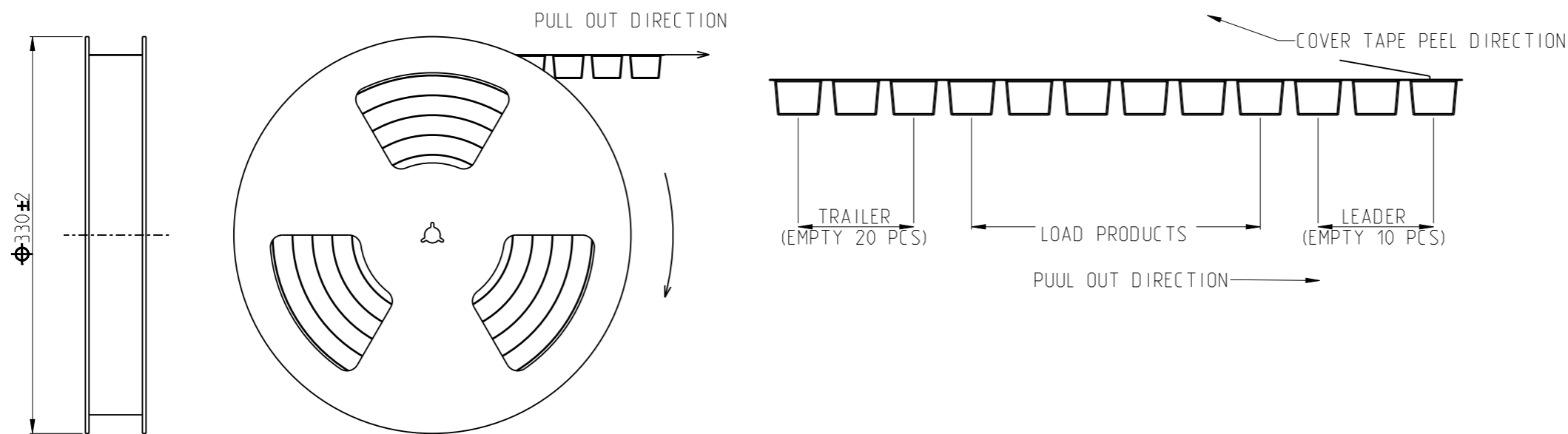
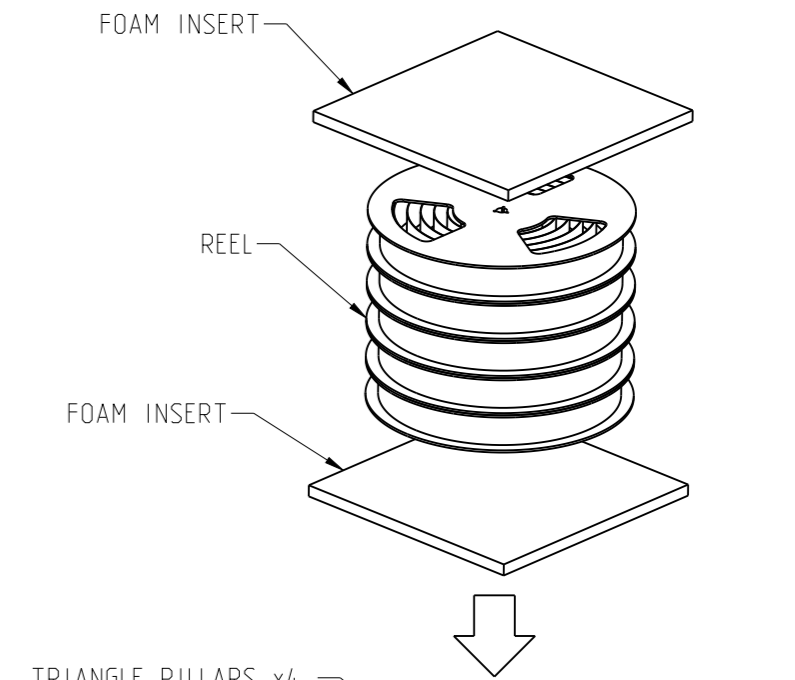
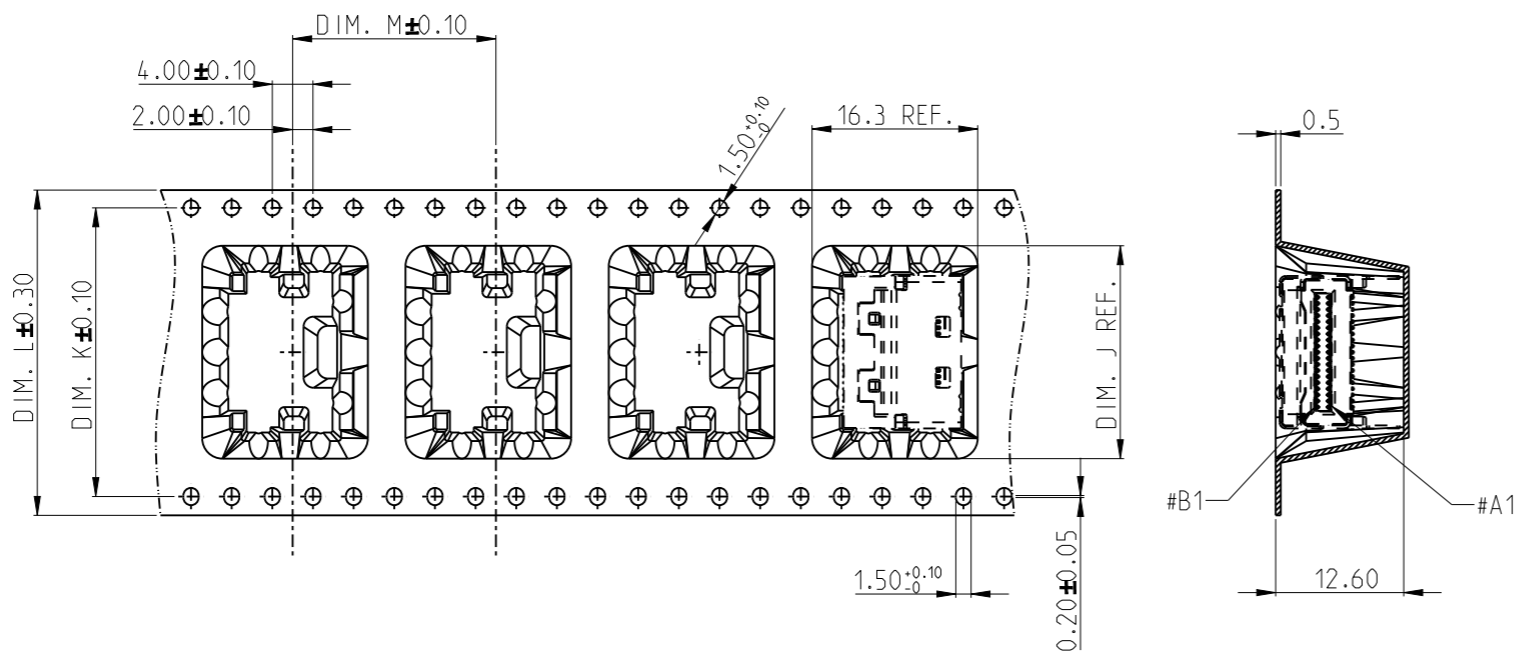
This document is the property of Amphenol Corporation and is delivered on the express condition that it is not to be disclosed, reproduced or used, in whole or in part, for manufacture or sale by anyone other than Amphenol Corporation without its prior consent, and that no right is granted to disclose or to use any information in this document.

The marking on this product doesn't contain environmental hazardous materials per directive 2011/65/EU & 2015/863/EU for RoHS compliant & per IEC 61249-2-21 for Halogen-Free compliant.



REVISIONS				
SYM	ECN No.	DESCRIPTION	DATE	BY
A	NE-22202	RELEASE TO PRODUCTION	2022-10-13	Sondra Sang
B	NE-23037	CHANGED 3.05 TOL. FROM +/-0.20 TO BE +0.20/-0.05	2023-02-13	Sondra Sang
C	NE-23084	CORRECT POST OD TOLERANCE TO BE 1.00+/-0.05 MODIFIED SHELL ON BOTTOM VIEW	2023-05-11	Sondra Sang
D	NE-25123	CHANGED DATE CODE FROM YYWW TO BE YYW WX	2023-05-26	Sondra Sang

PART NUMBER	POS. (N)	DIM. J	DIM. K	DIM. L	DIM. M	REEL (PCS)	CARTON (PCS)	N x P x Q (mm)
G97RX1XXXXHR	38	(20.9)	28.40	32.00	20.00	225	1350	355x355x265
G97RX2XXXXHR	74	(32.5)	40.40	44.00	20.00	250	1250	355x355x290
G97RX4XXXXHR	124	(39.5)	68.40	72.00	20.00	220	660	355x355x290
G97RX6XXXXHR	148	(49.4)	68.40	72.00	20.00	220	660	355x355x290



NOTE :

- MATERIAL:  
CARRIER TAPE: POLYSTYRENE, BLACK  
COVER TAPE: TRANSPARENT POLYSTYRENE  
REEL: POLYSTYRENE, BLACK
- ALL TAPE AND REEL SPECIFICATION FOLLOW EIA-481 STANDARD.
- THIS PRODUCT DOESN'T CONTAIN ENVIRONMENTAL HAZROUS DIRECTIVE 2011/65/EU AND 2015/863/EU FOR RoHS AND PER IEC 61249-2-21 FOR HALOGEN FREE COMPLIANT.

TOLERANCE	DRAWN	APPROVALS	DATE	TITLE	Amphenol® Amphenol Corporation Amphenol Taiwan Corporation			
X. X.X ±0.30 X.XX ±0.20 X.XXX ±0.10	DESIGNED	Sondra Sang	2025-05-26	MINI COOL EDGE IO INTEGRATED CONNECTOR 0.6 PITCH, 85 OHM RIGHT ANGLE FOR PCIE TYPE	UNIT mm	SIZE A3	PART No. G97RXXXXXXHR	REV. D
	CHECKED	Joan Lu	2025-05-26					
ANGULAR ±2°	APPROVED	Hank Hsu	2025-05-26		SCALE NA	SHEET 6 OF 6	DWG No. G97RXXXXXXHR	
UNLESS OTHERWISE SPECIFIED	DWG TYPE	CUST DWG	PROJECT CODE T687					