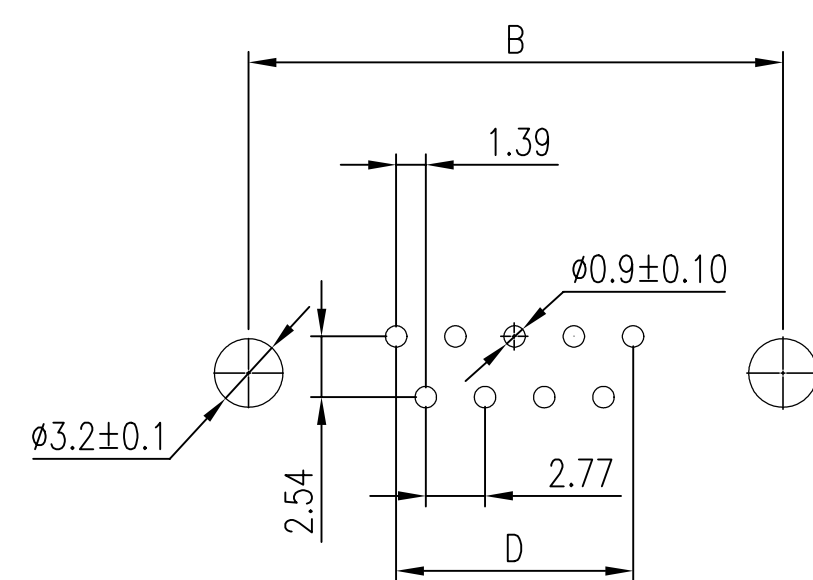
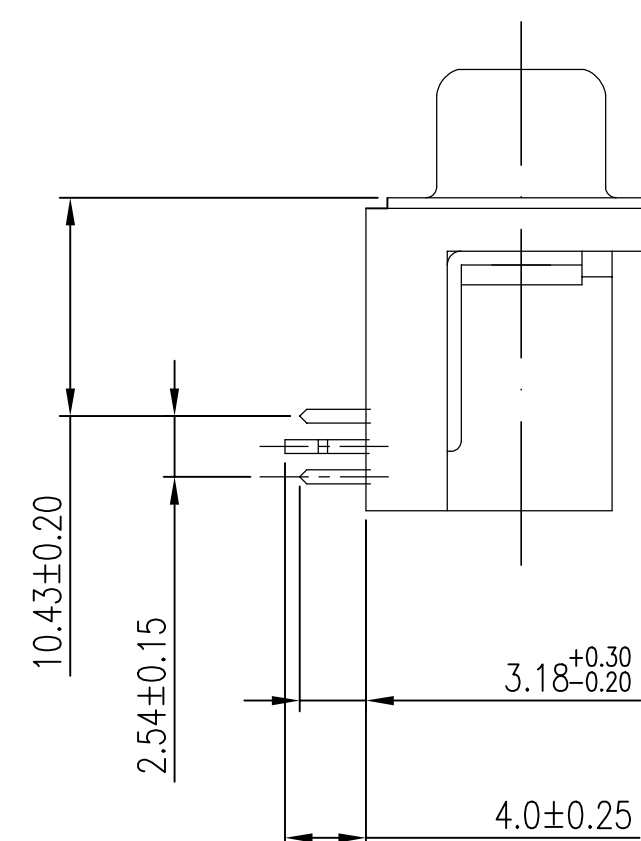
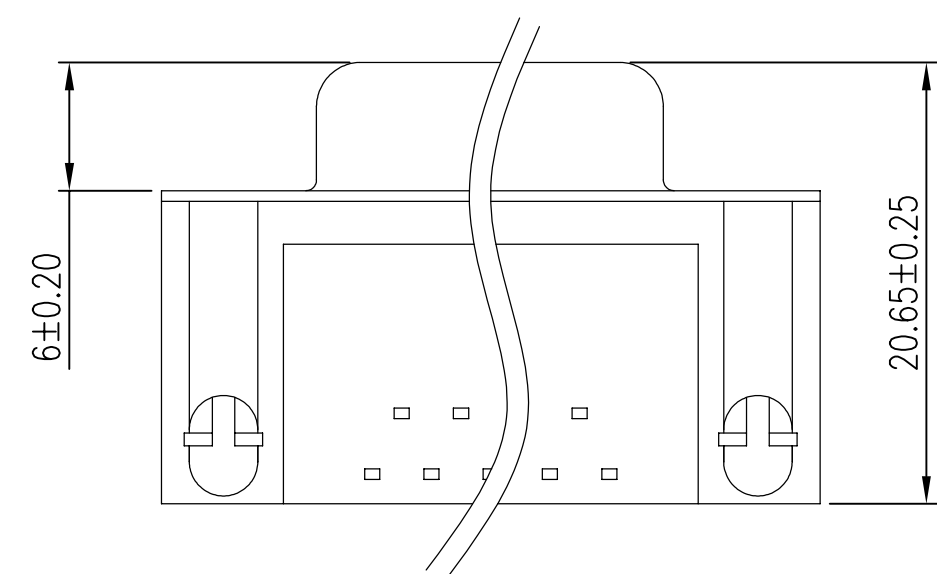
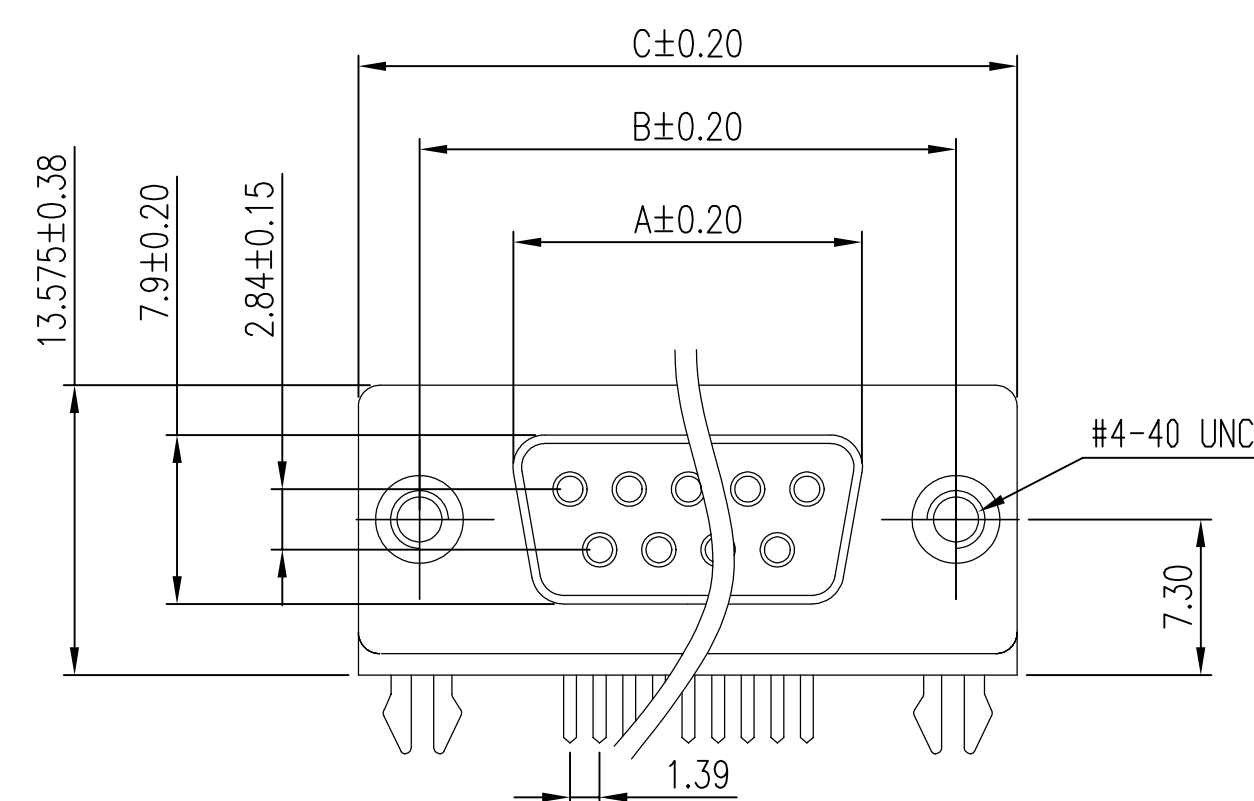


REVISIONS					
P	LTR	DESCRIPTION	DATE	DWN	APVD
H1		REVISED PER ECN-26-381559	24DEC2025	AP	SKN



P.C.B LAYOUT

PRAT NUMBER	No. of Contact	A ±0.20	B ±0.20	C ±0.20	D
2301845-1	15	24.76	33.32	39.14	19.39

NOTE:

- MATERIAL:
HOUSING: PBT WITH 20% GF UL 94 V-0, BLACK COLOR
CONTACTS: PHOSPHOR BRONZE.
SHELL: STEEL
GROUNDING BRACKET: BRASS
RIVETED INSERT: BRASS
SCREWLOCK: BRASS
- FINISH:
CONTACTS: GOLD PLATED 0.36µm [15µ"] MIN OR GOLD FLASH OVER PALLADIUM NICKEL PLATE 0.36µm [15µ"] MIN ON CONTACT AREA.
2.54 µm [100µ"] MATTE TIN ON SOLDER TAILS
1.27 µm [50 µ"] NICKEL UNDERPLATE OVERALL
SHELL: 2.54 µm [100µ"] NICKEL
RIVET: 1.27 µm [50 µ"] NICKEL
SCREWLOCK: 1.27 µm [50 µ"] NICKEL
BOARDLOCK: 1.27µm [50µ"] MIN NICKEL UNDERPLATE.
2.54µm [100µ"] MIN MATTE TIN PLATE
- WAVE SOLDER CAPABLE TO 265°C PER TE TEST SPEC. 109-202, CONDITION B.

2301845

B

A

THIS DRAWING IS A CONTROLLED DOCUMENT.		DWN	AJITH PAI	07FEB2017
		CHK	DAN GORENC	07FEB2017
		APVD		07FEB2017
DIMENSIONS: mm		TOLERANCES UNLESS OTHERWISE SPECIFIED:		
		0 PLC	±	-
		1 PLC	±	0.38
		2 PLC	±	0.25
		3 PLC	±	0.10
		4 PLC	±	-
MATERIAL		FINISH		
		WEIGHT 0		
		CUSTOMER DRAWING		

15W D SKT W B/L & 4-40 INSERTS			2301845-1
DESCRIPTION			TE PART NO
TE Connectivity Ltd.			
NAME: 15 WAY D-SUB SOCKET WITH BOARD LOCK			
SIZE	CAGE CODE	DRAWING NO	RESTRICTED TO
A2	00779	C=2301845	-
SCALE 2:1		SHEET 1 of 4	REV H1

4

3

2

1

© - TE Connectivity. All Rights Reserved.

REVISIONS

P	LTR	DESCRIPTION	DATE	DWN	APVD
-	-	SEE SHEET 1	-	-	-

11.6

22.6
17.0

230
310

230
310

DETAIL A

DETAIL A

THIS DRAWING IS A CONTROLLED DOCUMENT.		DWN AJITH PAI 07FEB2017	TE Connectivity Ltd.	
		CHK DAN GORENC 07FEB2017		
		APVD - 07FEB2017	NAME	
		PRODUCT SPEC 108-130013	15 WAY D-SUB SOCKET WITH BOARD LOCK	
		APPLICATION SPEC	SIZE A2	CAGE CODE 00779
		WEIGHT 0	DRAWING NO C=2301845	RESTRICTED TO -
		CUSTOMER DRAWING	SCALE 3:1	SHEET 3 of 4
				REV H1

2301845

B

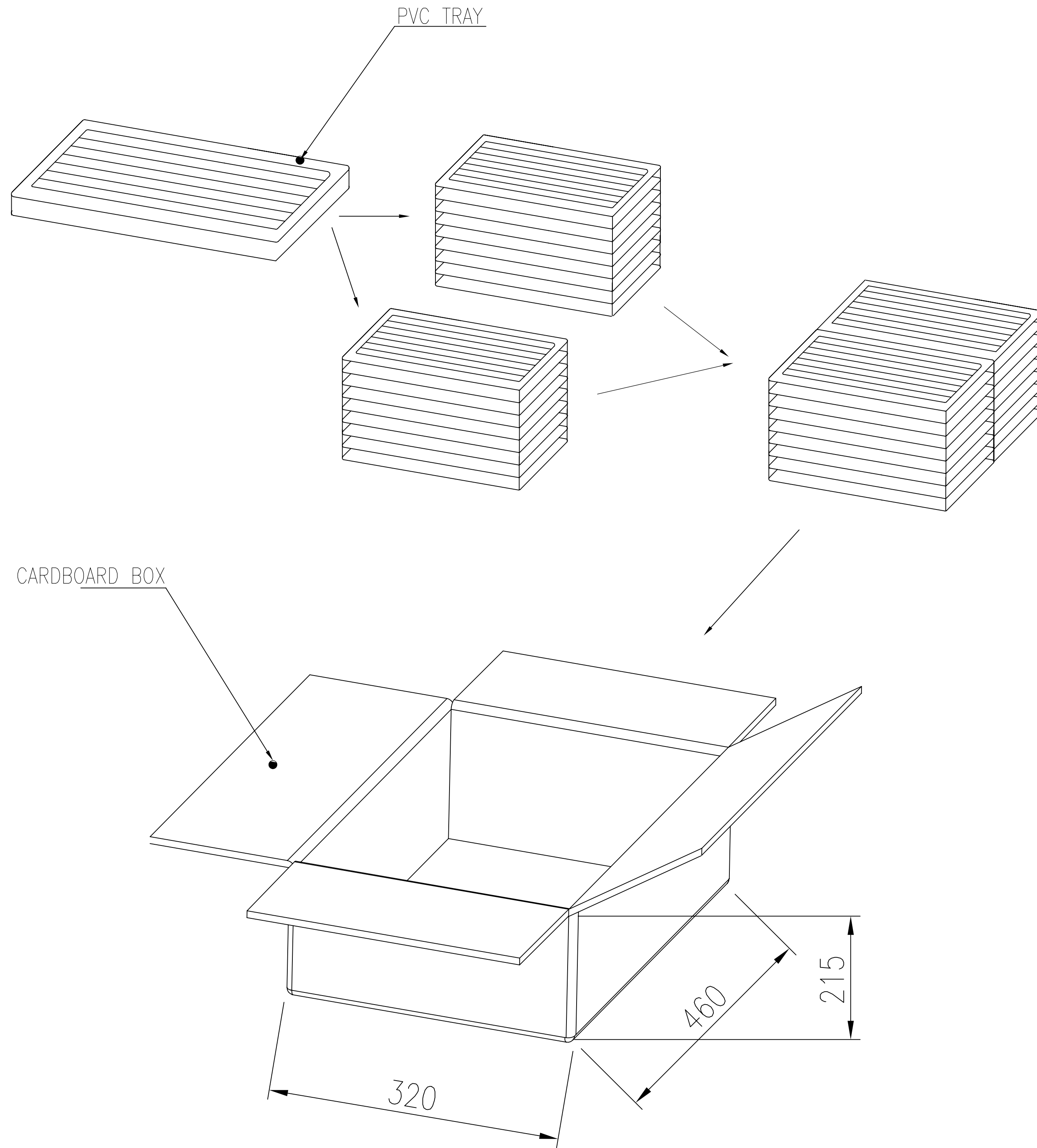
C

A

1471-9 (1/15)

REVISIONS

P	LTR	DESCRIPTION	DATE	DWN	APVD
-	-	SEE SHEET 1	-	-	-



15.438	13.418	70	16	1120	2301845-2
13.422	11.402	70	16	1120	2301845-1
GROSS WEIGHT (Kg)	NET WEIGHT (Kg)	PCS/TRAY	TRAYS /CARTON	QUANTITY Pcs	PART NUMBER

THIS DRAWING IS A CONTROLLED DOCUMENT.		DWN AJITH PAI 07FEB2017	TE Connectivity Ltd.		
DIMENSIONS: mm		CHK DAN GORENC 07FEB2017			
TOLERANCES UNLESS OTHERWISE SPECIFIED:		APVD - 07FEB2017	NAME 15 WAY D-SUB SOCKET WITH BOARD LOCK		
0 PLC ± -		PRODUCT SPEC	SIZE		
1 PLC ± 0.38		108-130013	CAGE CODE		
2 PLC ± 0.25		APPLICATION SPEC	DRAWING NO		
3 PLC ± 0.10		-	RESTRICTED TO		
4 PLC ± -		WEIGHT	00779		
ANGLES ± -		0	C=2301845		
FINISH		CUSTOMER DRAWING	SCALE 1:1 SHEET 4 of 4 REV H1		