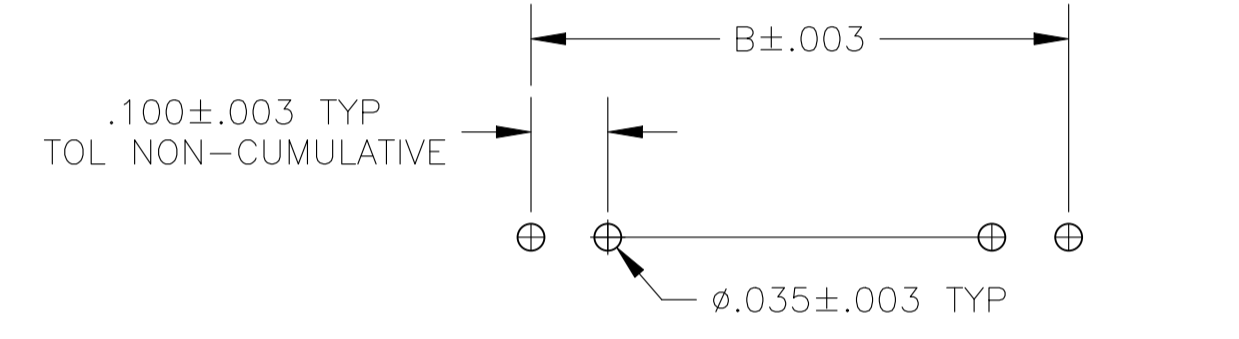
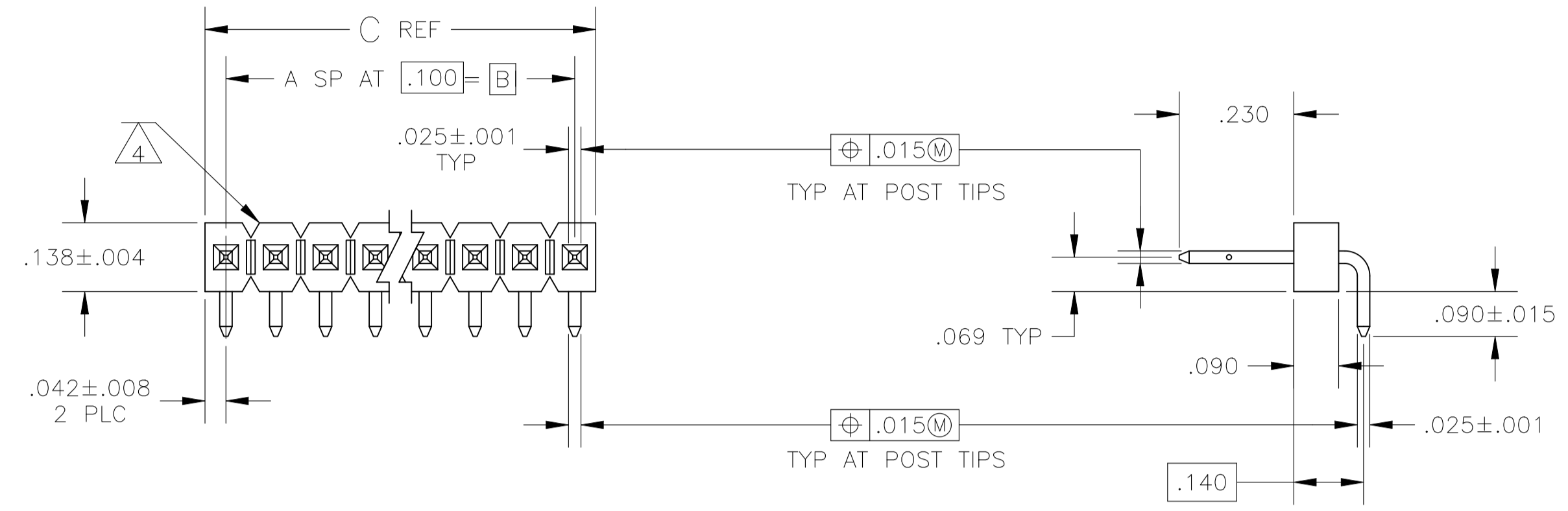


REVISIONS				
P	LTR	DESCRIPTION	DATE	APPV
H8		ECR-25-266356	08JAN2026	ABS PS



RECOMMENDED HOLE LAYOUT

- 1 ASSEMBLY MAY BE BROKEN TO THE DESIRED NUMBER OF POSITIONS.
- 2 TRUE POSITION TOLERANCE OF THE POST TIPS APPLIES WHEN THE HEADERS ARE HELD FLAT AGAINST THE PRINTED CIRCUIT BOARD
- 3 .000100-.000200 MATTE TIN-LEAD OVER .000050 NICKEL ENTIRE POST
- 4 BREAKAWAY NOTCH ANGLE CAN BE ORIENTED TO THE RIGHT (AS SHOWN) OR TO THE LEFT
- 5 .000100-.000200 MATTE TIN OVER .000050 NICKEL ENTIRE POST
- 6 OBSOLETE PARTS: OBSOLETE CIS STREAMLINING PER D.RENAUD/D.SINISI

	5	3.984	3.900	39	40	9-103759-0
OBSOLETE	5	3.484	3.400	34	35	8 - -5
OBSOLETE	5	2.984	2.900	29	30	8 - -0
OBSOLETE	5	2.484	2.400	24	25	7 - -5
OBSOLETE	5	1.984	1.900	19	20	7 - -0
OBSOLETE	5	1.484	1.400	14	15	6 - -5
OBSOLETE	5	1.384	1.300	13	14	6 - -4
OBSOLETE	5	1.284	1.200	12	13	6 - -3
OBSOLETE	5	1.184	1.100	11	12	6 - -2
OBSOLETE	5	1.084	1.000	10	11	6 - -1
OBSOLETE	5	.984	.900	9	10	6 - -0
OBSOLETE	5	.884	.800	8	9	5 - -9
OBSOLETE	5	.784	.700	7	8	5 - -8
OBSOLETE	5	.684	.600	6	7	5 - -7
OBSOLETE	5	.584	.500	5	6	5 - -6
OBSOLETE	5	.484	.400	4	5	5 - -5
OBSOLETE	5	.384	.300	3	4	5 - -4
OBSOLETE	5	.284	.200	2	3	5 - -3
OBSOLETE	5	.184	.100	1	2	5 - -2
OBSOLETE	5	.084			1	5-103759-1
SUPERSEDED BY	9-103759-0					
OBSOLETE	3	3.984	3.900	39	40	4-103759-0
OBSOLETE	3	3.884	3.800	38	39	3 - -9
OBSOLETE	3	3.784	3.700	37	38	3 - -8
OBSOLETE	3	3.684	3.600	36	37	3 - -7
OBSOLETE	3	3.584	3.500	35	36	3 - -6
OBSOLETE	3	3.484	3.400	34	35	3 - -5
OBSOLETE	3	3.284	3.300	33	34	3 - -4
OBSOLETE	3	3.284	3.200	32	33	3 - -3
OBSOLETE	3	3.184	3.100	31	32	3 - -2
OBSOLETE	3	3.084	3.000	30	31	3 - -1
OBSOLETE	3	2.984	2.900	29	30	3 - -0
OBSOLETE	3	2.884	2.800	28	29	2 - -9
OBSOLETE	3	2.784	2.700	27	28	2 - -8
OBSOLETE	3	2.684	2.600	26	27	2 - -7
OBSOLETE	3	2.584	2.500	25	26	2 - -6
OBSOLETE	3	2.484	2.400	24	25	2 - -5
OBSOLETE	3	2.384	2.300	23	24	2 - -4
OBSOLETE	3	2.284	2.200	22	23	2 - -3
OBSOLETE	3	2.184	2.100	21	22	2 - -2
OBSOLETE	3	2.084	2.000	20	21	2 - -1
OBSOLETE	3	1.984	1.900	19	20	2 - -0
OBSOLETE	3	1.884	1.800	18	19	1 - -9
OBSOLETE	3	1.784	1.700	17	18	1 - -8
OBSOLETE	3	1.684	1.600	16	17	1 - -7
OBSOLETE	3	1.584	1.500	15	16	1 - -6
OBSOLETE	3	1.484	1.400	14	15	1 - -5
OBSOLETE	3	1.384	1.300	13	14	1 - -4
OBSOLETE	3	1.284	1.200	12	13	1 - -3
OBSOLETE	3	1.184	1.100	11	12	1 - -2
OBSOLETE	3	1.084	1.000	10	11	1 - -1
OBSOLETE	3	.984	.900	9	10	1 - -0
OBSOLETE	3	.884	.800	8	9	1 - -9
OBSOLETE	3	.784	.700	7	8	1 - -8
OBSOLETE	3	.684	.600	6	7	1 - -7
OBSOLETE	3	.584	.500	5	6	1 - -6
OBSOLETE	3	.484	.400	4	5	1 - -5
OBSOLETE	3	.384	.300	3	4	1 - -4
OBSOLETE	3	.284	.200	2	3	1 - -3
OBSOLETE	3	.184	.100	1	2	1 - -2
OBSOLETE	3	.084			1	1-103759-1

PLATING	C	B	A	NO OF POS	ASSEMBLY PART NUMBER
---------	---	---	---	-----------	----------------------

THIS DRAWING IS A CONTROLLED DOCUMENT.

DIN L. D. RINGLEY 23JUL85  
CHK R. FLICKER 12NOV87  
APPV R. FLICKER 12NOV87

**STE** TE Connectivity

ASSY, MOD II, HEADER, B/A, SINGLE ROW, RIGHT ANGLE 100CL, WITH .025 SQUARE POSTS

SIZE A1 CAGE CODE 00779 DRAWING NO. 103759

WEIGHT --

CUSTOMER DRAWING SCALE 4:1 SHEET 1 of 1 REV H8