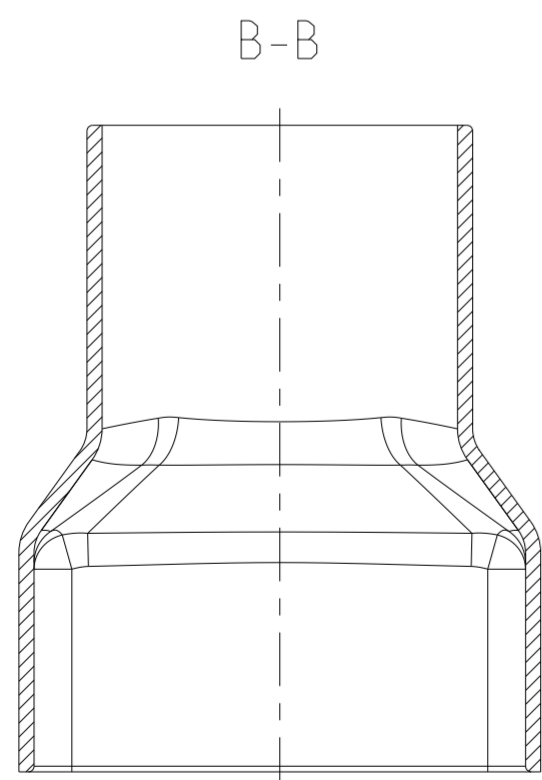
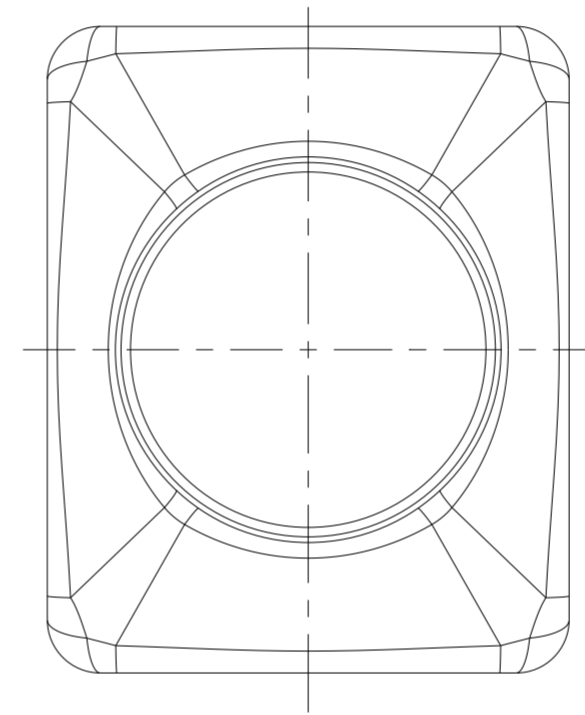
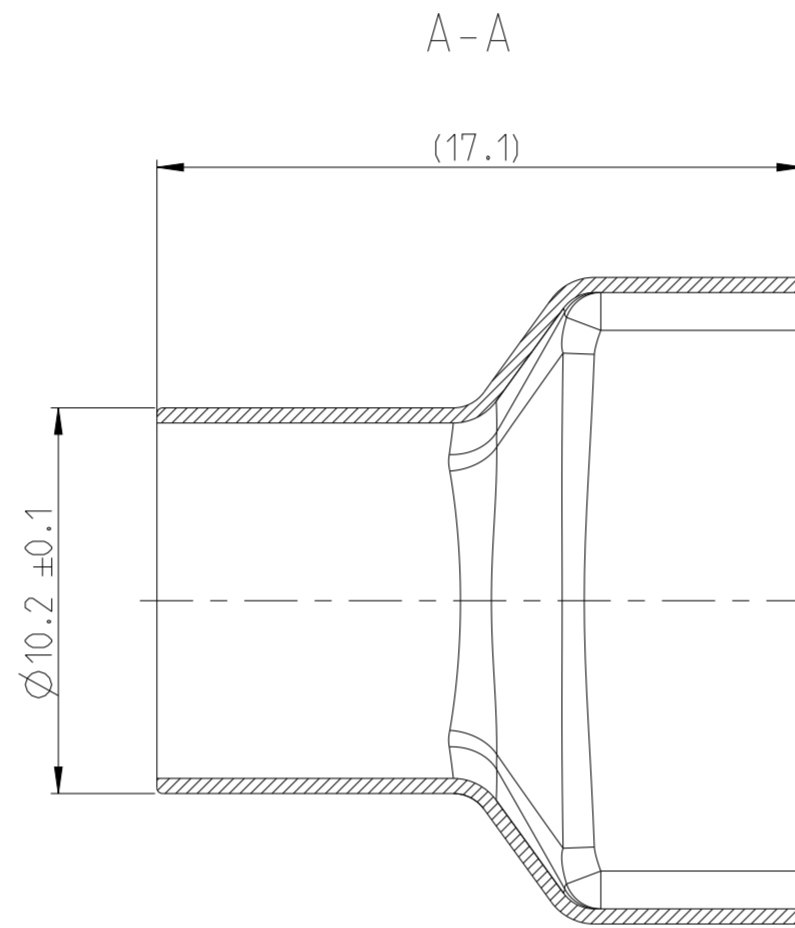
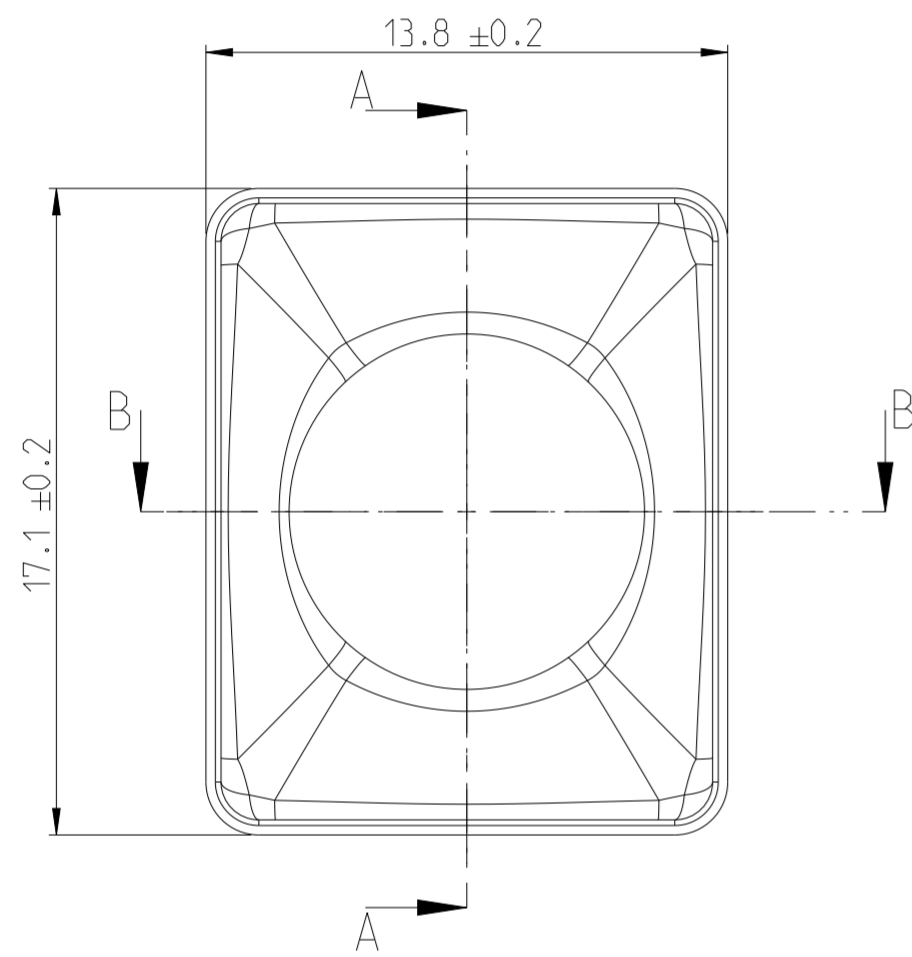
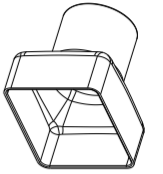


| P | LTR | DESCRIPTION | DATE | DWN | APVD |
|----|-----|---------------|-----------|-----|------|
| A | | NEW DRAWING | 12JUN2019 | GP | HR |
| A1 | | ECN-25-319033 | 26MAR2025 | RG | JJH |

1:1
-1 AS SHOWN
wie gezeigt



1 PACKAGING: BULK PACKAGING INTO PLASTIC BAG AND CORRUGATED SHIPPING BOX PN: 973058-3
Verpackung: Schuetfgut in Beutel und Versandkarton PN: 973058-3

| TE PART NO. | REV | DESCRIPTION |
|-------------|-----|---|
| 2310221-1 | A | INNER FERRULE,90 DEG Schirmhuelse,90 Grad |

| | | | | |
|--|--|------------------------------------|---|--------------------|
| THIS DRAWING IS A CONTROLLED DOCUMENT. | | DWN G.PUCKEL 12JUN2019 | TE Connectivity | |
| DIMENSIONS: mm | | CHK H.RIPPER 13JUN2019 | | |
| TOLERANCES UNLESS OTHERWISE SPECIFIED: | | APVD Z.STJEPANOVIC 13JUN2019 | NAME INNER FERRULE PCON12 PLUG 2P | |
| 0 PLC ± | | PRODUCT SPEC 108-94749 | RESTRICTED TO | |
| 1 PLC ± | | APPLICATION SPEC 114-94518 | SIZE A2 | CAGE CODE 00779 |
| 2 PLC ± | | WEIGHT - | DRAWING NO C-2310221 | |
| 3 PLC ± | | | SCALE 5:1 | SHEET 1 OF 1 |
| 4 PLC ± | | | | REV A1 |
| ANGLES ±° | | | | |
| FINISH | | | | |
| MATERIAL C19400 ANNEALED TEC-100-265 | | SILVER PLATED versilbert | | |

A1