

S CN BN - J 2 4 50 - SO RPM

SUNTSU

CONNECTOR

BNC

Connector Type
Jack

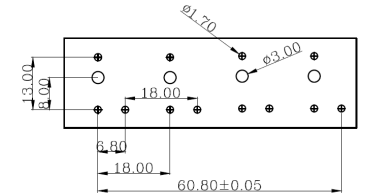
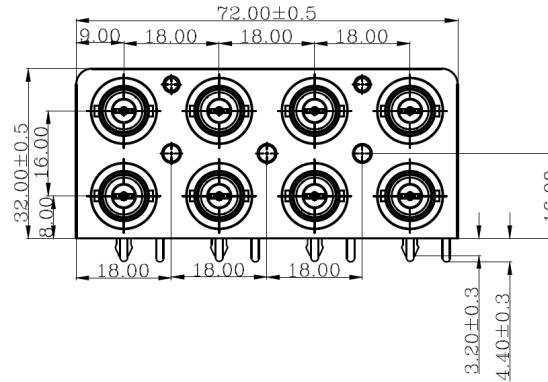
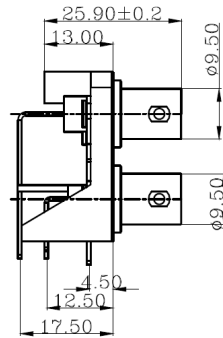
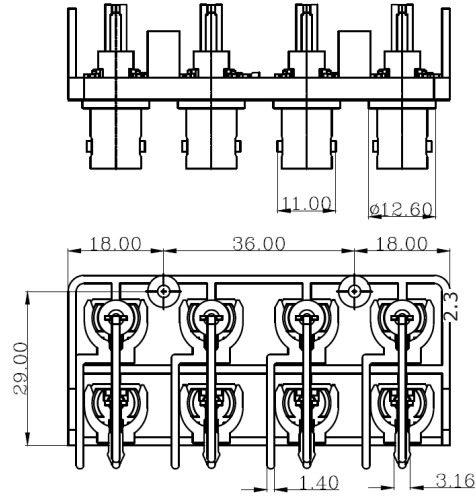
Rows
2

Connectors
per Row
4

Impedance
50

Contact Termination
Solder

Mounting Style
Right Angle PCB
Mount



**Recommended
Mounting
Layout**

1. Materials:

- a) Body: Zinc Nickel Plated
 - b) Contact: Brass Nickel Plated
2. Normal Impedance: 50Ω
 3. Frequency Range: 0-4 GHz
 4. Max Peak Voltage: 500V
 5. Dielectric Strength: 1500V RMS
 6. Insulation Resistance: 5000MΩ/Min



**EIGHT BNC FEMALE IN TWO
ROWS 90°**

Document History			
Edits Made	Date	Edited By	Approved By
Initial Release	06/28/2021	B. Gibbons	KH Mun

Part No.	SCNBN-J2450-SORPM		Drawn	B. Gibbons 06/28/2021	
Scale	Not drawn to scale		Tolerance	0.5-15 = ±0.15 15-30 = ±0.30 30-120 = ±0.60 >120 = ±1.00	
Unit	mm		Pages	1/1	