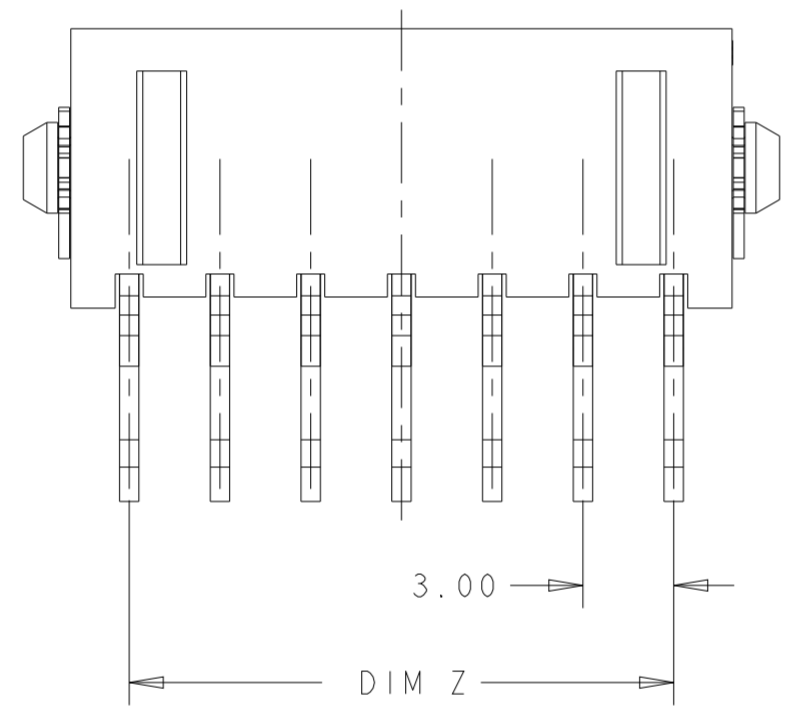
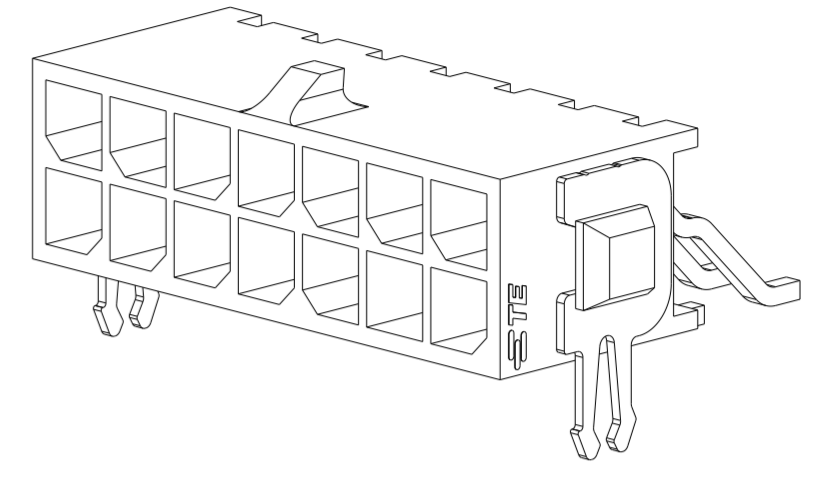
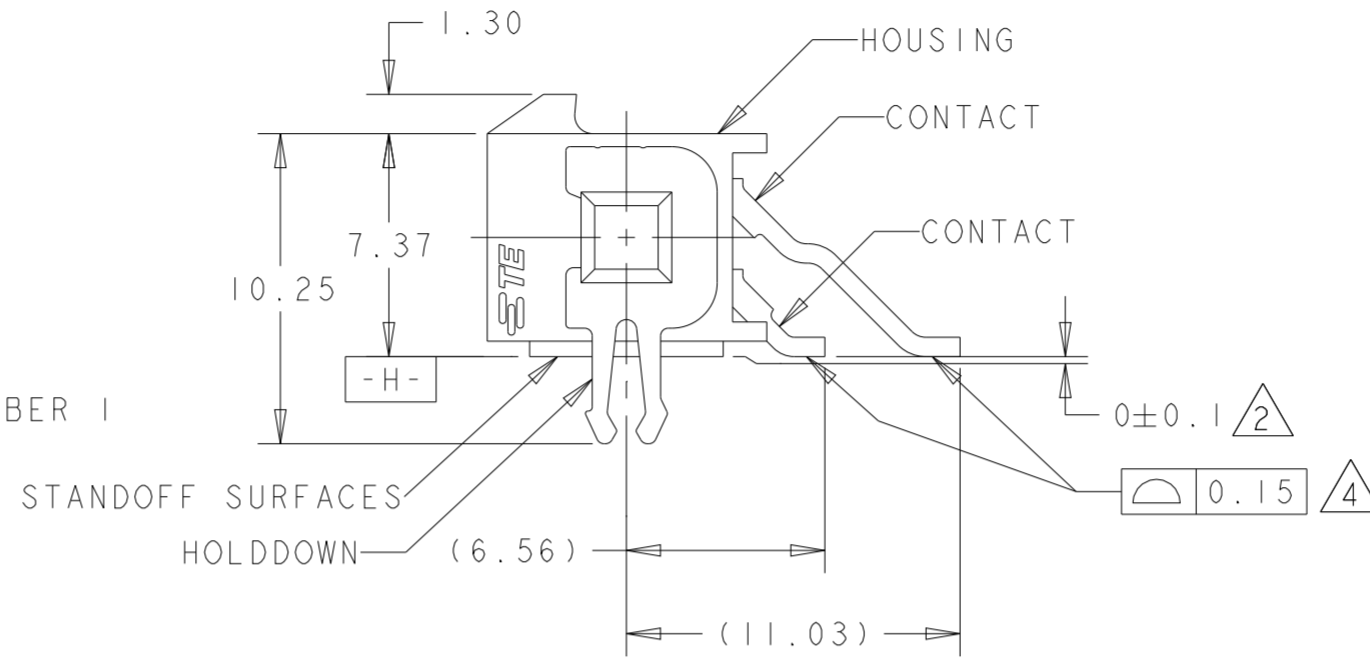
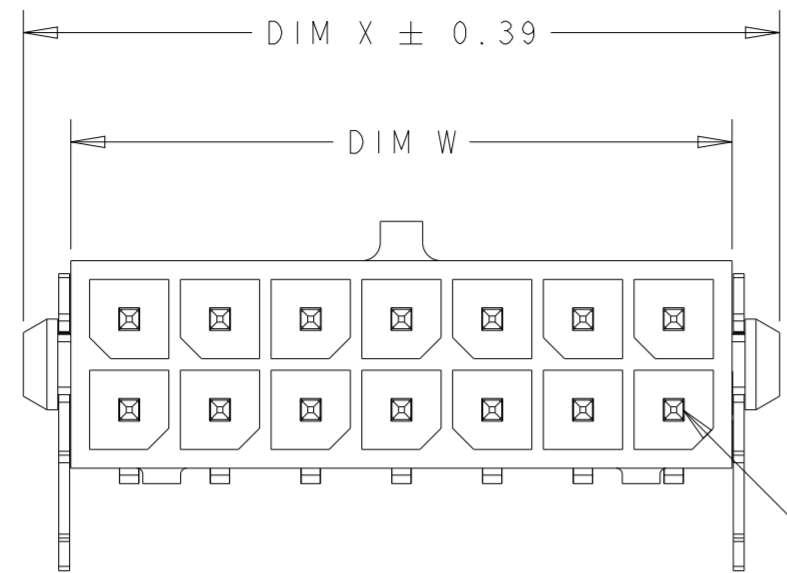


THIS DRAWING IS UNPUBLISHED. RELEASED FOR PUBLICATION 20
 © COPYRIGHT 20 BY - ALL RIGHTS RESERVED.

REVISIONS					
P	LTR	DESCRIPTION	DATE	DWN	APVD
G5		REVISED PER ECN-23-240910	24NOV2023	WLS	VS
G6		REVISED PER ECN-24-279340	16AUG2024	WLS	JP
H		REVISED PER ECN-25-300754	06JAN2025	WLS	JP



- 1 MATERIAL;
HOUSING - UL 94V-0 RATED HIGH TEMP NYLON, COLOR BLACK.
CONTACTS - BRASS.
HOLD DOWNS - PHOSPHOR BRONZE.
- 2 DIMENSION APPLIES TO SOLDER TAIL SURFACES AND STANDOFF SURFACES.
- 3 RECOMMENDED PC BOARD THICKNESS OF 1.57.
- 4 ALL SOLDER TAILS.
- 5 FINISH;
CONTACTS - 2.54µm MINIMUM MATTE TIN OVER 1.27µm MINIMUM NICKEL.
HOLDDOWNS - 2.54µm MINIMUM MATTE TIN OVER 1.27µm MINIMUM NICKEL.
- 6 COUNTERPART RECOMMENDED IS PN 794617 (DASH ACCORDING TO NUMBER OF POSITION).
- 7 FOR REELING DIRECTION AND PACKAGING TYPE, SEE SPECIFICATION 114-13000.

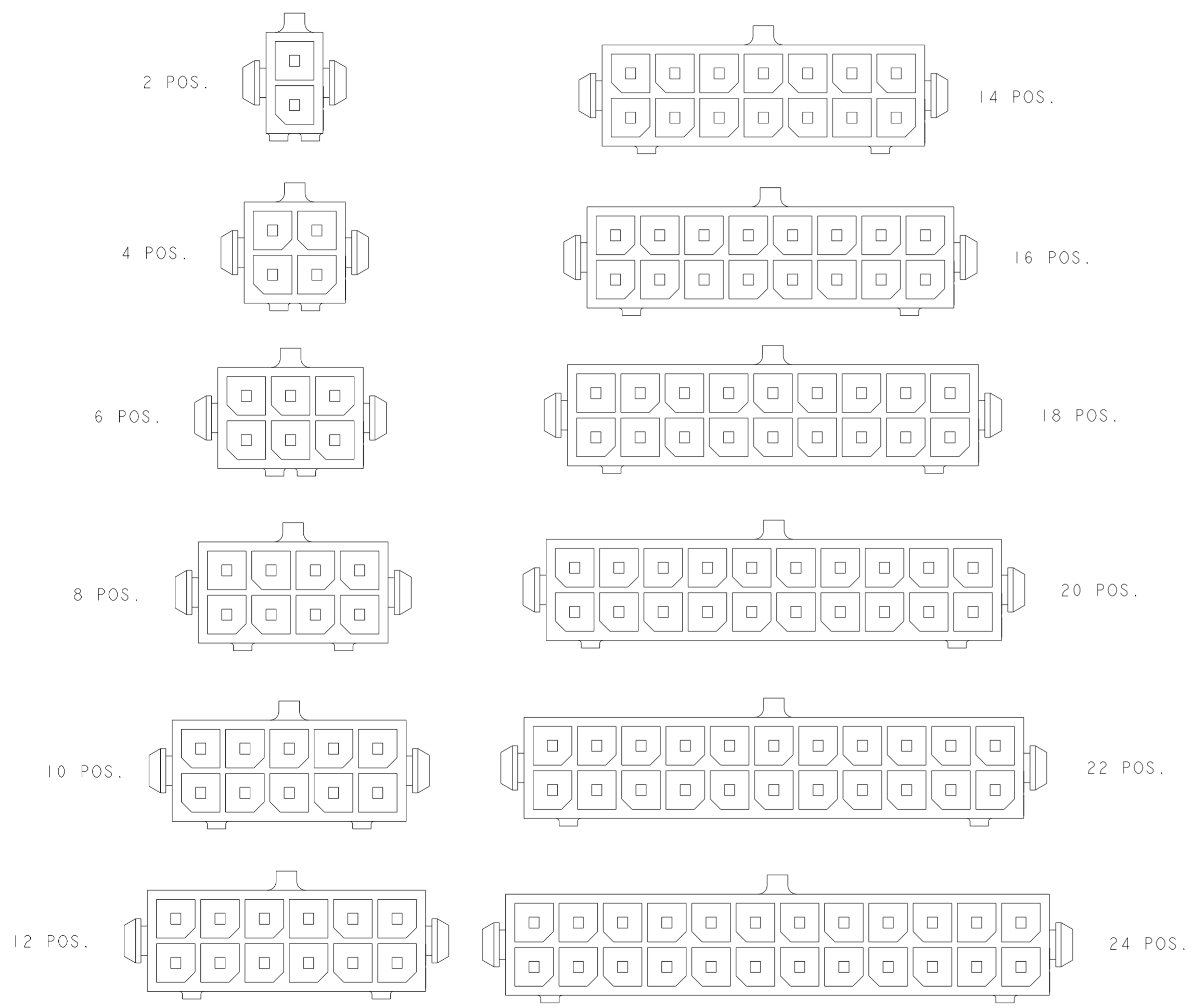
OBSOLETE	36.86	37.30	33.00	40.00	24	5-794624-4
OBSOLETE	33.86	34.30	30.00	37.00	22	5-794624-2
OBSOLETE	30.86	31.30	27.00	34.00	20	5-794624-0
OBSOLETE	27.86	28.30	24.00	31.00	18	4-794624-8
	24.86	25.30	21.00	28.00	16	4-794624-6
OBSOLETE	21.86	22.30	18.00	25.00	14	4-794624-4
	18.86	19.30	15.00	22.00	12	4-794624-2
	15.86	16.30	12.00	19.00	10	4-794624-0
	12.86	13.30	9.00	16.00	8	3-794624-8
	9.86	10.30	6.00	13.00	6	3-794624-6
	6.86	7.30	3.00	10.00	4	3-794624-4
OBSOLETE	3.86	4.30		7.00	2	3-794624-2
	DIM W	DIM Y	DIM Z	DIM X	NO. OF POSN.	ASSEMBLY

THIS DRAWING IS A CONTROLLED DOCUMENT.

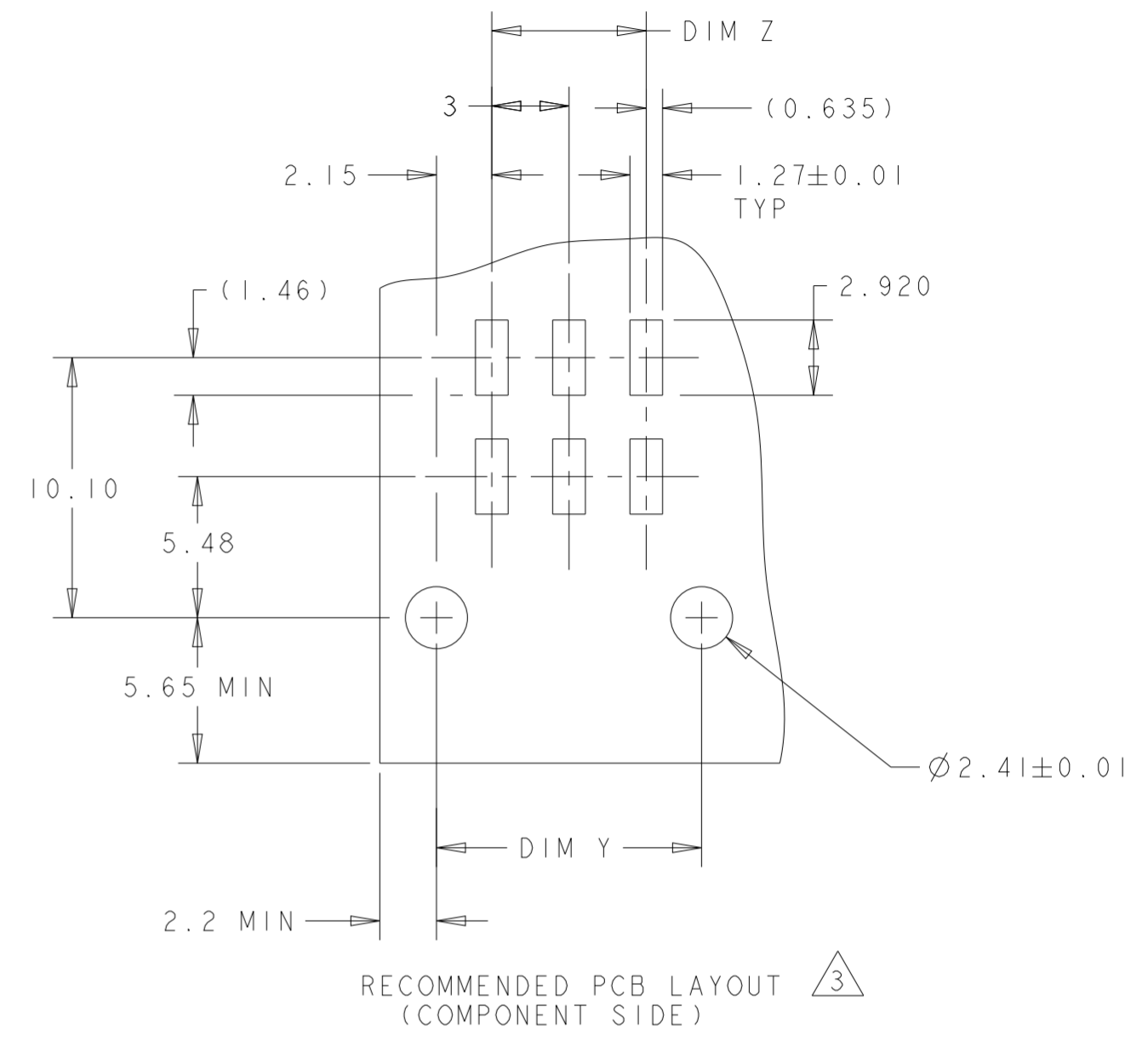
DWN S. HOOVER 23-MAR-2005	 TE Connectivity	NAME SURFACE MOUNT, RIGHT ANGLE, MECH. HOLD DOWN, ASSEMBLY, TIN HEADER, DUAL ROW, MICRO MATE-N-LOK (TM)
CHK C. JONES 23-MAR-2005		
APVD C. JONES 23-MAR-2005		
PRODUCT SPEC 108-1836		
MATERIAL 1	APPLICATION SPEC 114-13000 WEIGHT - CUSTOMER DRAWING	SIZE A2 CAGE CODE 0779 DRAWING NO. C-794624 RESTRICTED TO - SCALE 4:1 SHEET 1 OF 2 REV H


THIS DRAWING IS UNPUBLISHED. RELEASED FOR PUBLICATION 20
 © COPYRIGHT 20 BY - ALL RIGHTS RESERVED.

REVISIONS					
P	LTR	DESCRIPTION	DATE	DWN	APVD
-	-	SEE SHEET 1	-	-	-



KEYING BY POSITION SIZE



THIS DRAWING IS A CONTROLLED DOCUMENT.		DWN S. HOOVER 23-MAR-2005	 TE Connectivity	
DIMENSIONS: mm		CHK C. JONES 23-MAR-2005		
TOLERANCES UNLESS OTHERWISE SPECIFIED:		APVD C. JONES 23-MAR-2005	NAME SURFACE MOUNT, RIGHT ANGLE, MECH. HOLD DOWN, ASSEMBLY, TIN HEADER, DUAL ROW, MICRO MATE-N-LOK (TM)	
0 PLC ±	1 PLC ±	PRODUCT SPEC 108-1836	SIZE A20779	CAGE CODE C-794624
2 PLC ±0.20	3 PLC ±	APPLICATION SPEC 114-13000	DRAWING NO	RESTRICTED TO
4 PLC ±	ANGLES ±1°	WEIGHT	SCALE 4:1	SHEET 2 OF 2
MATERIAL	FINISH	CUSTOMER DRAWING	REV H	