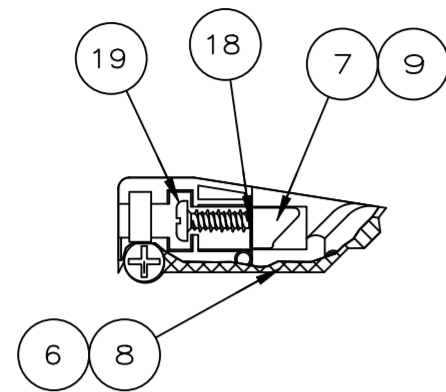
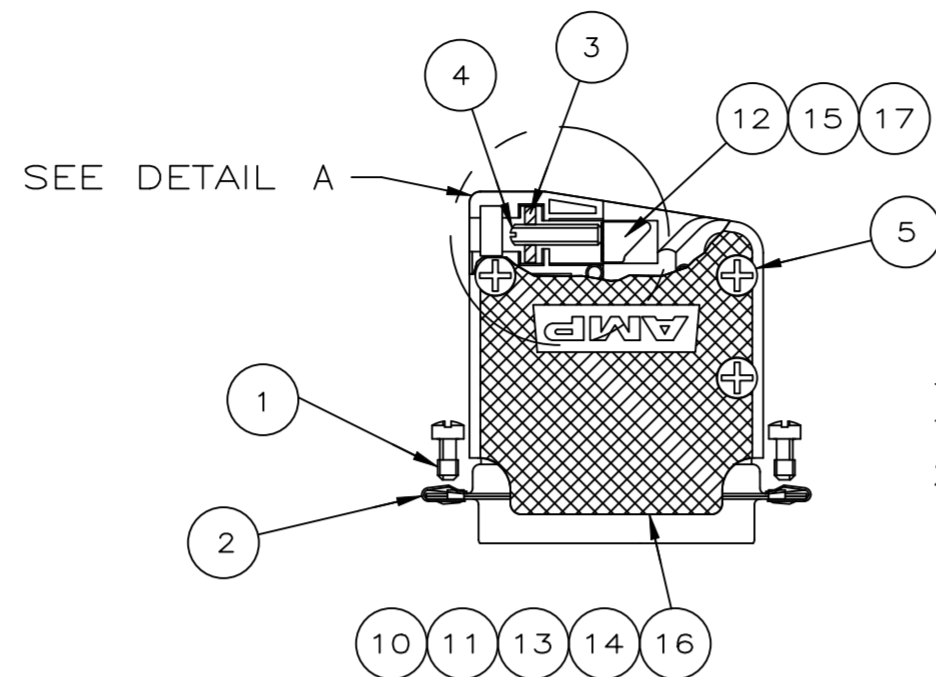


REVISIONS					
P	LTR	DESCRIPTION	DATE	DWN	APVD
A2		REVISED AS PER ECR-25-235176	16SEP2025	PK	SKN



DETAIL A
FOR -1 & 2 ONLY



-3, -4, -5,
1--1, 1--2,
2--2 & 2--6

- 1 PARTS PACKAGED UNASSEMBLED.
- △2 STAINLESS STEEL.
- △3 ZINC PLATED YELLOW CHROMATE COATING.
- △4 STEEL.
- △5 ZINC PLATED CLEAR CHROMATE COATING.
- △6 BRASS.
- △7 BLACK ZINC PHOSPHATE.
- △8 OBSOLETE.

										CONTENTS BULK PACKAGED BY ITEM					
										CONTENTS PACKAGED ONE KIT PER POLY BAG					
										1	1	GATE SCREW △4 △7	19		
										1	1	SHIM △6	18		
				1								SIZE 5 GATE	17		
				1								SIZE 5 HOUSING	16		
					1							SIZE 4 GATE	15		
						1						SIZE 4 HOUSING	14		
												SIZE 3 SHORT HOUSING	13		
	1	1					1					SIZE 3 GATE	12		
	1						1					SIZE 3 HOUSING	11		
												SIZE 2 SHORT HOUSING	10		
								1				SIZE 2 GATE	9		
									1			SIZE 2 HOUSING	8		
									1			SIZE 1 GATE	7		
									1			SIZE 1 HOUSING	6		
2	3	2	3	3	3	3	2	1				PH HD #5-21 HI-LO SCREW △4 △5	5		
1	1	1		1	1	1						SLOTTED SET SCREW △4 △5	4		
1	1	1		1	1	1						SQUARE NUT △4	3		
2	2	2	2	2	2	2	2	2				CLIP △2	2		
2	2	2	2	2	2	2	2	2				RETAINING SCREW △3 △4	1		
2	6	2	1	2	1	1	5	4	3	2	1			DESCRIPTION	ITEM NO

THIS DRAWING IS A CONTROLLED DOCUMENT.

DWN R.RICHARDSON 12SEPT05	CHK C.ROHDE 12SEPT05	APVD M.WALMSLEY 12SEPT05	NAME STRAIN RELIEF KIT, 45 /180 AMPLIMITE HD-20																		
DIMENSIONS: INCHES		TOLERANCES UNLESS OTHERWISE SPECIFIED:	SIZE A2																		
<table border="1"> <tr><td>0 PLC</td><td>±</td><td>-</td></tr> <tr><td>1 PLC</td><td>±</td><td>-</td></tr> <tr><td>2 PLC</td><td>±</td><td>-</td></tr> <tr><td>3 PLC</td><td>±</td><td>-</td></tr> <tr><td>4 PLC</td><td>±</td><td>-</td></tr> <tr><td>ANGLES</td><td>±</td><td>-</td></tr> </table>		0 PLC	±	-	1 PLC	±	-	2 PLC	±	-	3 PLC	±	-	4 PLC	±	-	ANGLES	±	-	FINISH HOUSING & GATES: BLACK HARDWARE: △2 △4 △6	RESTRICTED TO
0 PLC	±	-																			
1 PLC	±	-																			
2 PLC	±	-																			
3 PLC	±	-																			
4 PLC	±	-																			
ANGLES	±	-																			
MATERIAL HOUSING & GATES: POLYPROPYLENE HARDWARE: △2 △4 △6	WEIGHT 0.000000	CAGE CODE 00779	DRAWING NO 5206478																		
CUSTOMER DRAWING		SCALE 2:1	SHEET 1 of 1																		