

This document is the property of Amphenol Corporation and is delivered on the express condition that is not to be disclosed, reproduced or used, in whole or in part, for manufacture or sale by anyone other than Amphenol Corporation without its prior consent, and that no right is granted to disclose or to use any information in this document.

The marking on this product doesn't contain environmental hazardous materials per directive 2011/65/EU & 2015/863/EU for RoHS compliant and per IEC 61249-2-21 for Halogen-Free compliant.



ORIGINAL



REVISIONS				
SYM	ECN No.	DESCRIPTION	DATE	BY
C	NE-16065	ADDED T&R PACKAGE/3.2 TAIL/PANEL CUTOUT DIM/DC	03/18/2016	Arron Lin
D	NE-17119	ADDED BLACK OPTIONS	06/13/2017	Arron Lin
E	NE-17171	ADDED P.C.B LAYOUT	07/11/2017	Arron Lin
F	NE-18125	ADDED CAPABLE FOR PIP PROCESS	08/01/2018	Roger Tsai
A1	NE-19037	SHELL SK7 CHANGE TO STAINLESS STEEL	03/05/2019	Roger Tsai
B1	NE-21109	UPDATE HOUSING STANDOFF AND PACKING CARRIER	2021-08-27	Debby Hung

PART NO. GSB3121 X X X CHR

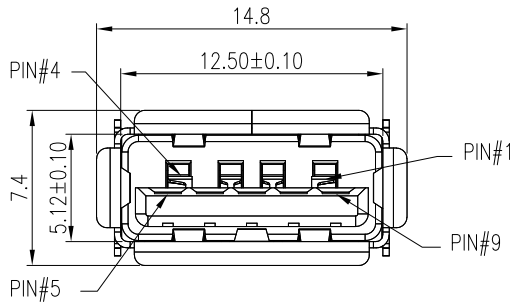
CONTACT FINISH
 1: GOLD FLASH
 2: 15 μ" GOLD
 3: 30 μ" GOLD

DIM A
 BLANK : 2.3mm
 1 : 3.0mm
 2 : 3.2mm

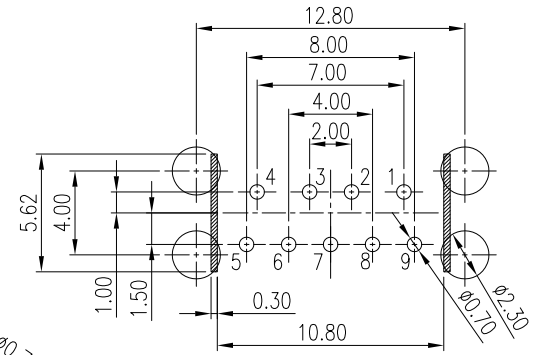
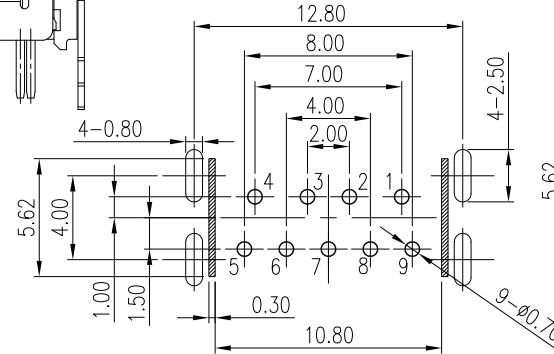
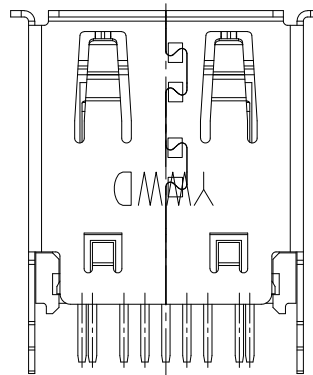
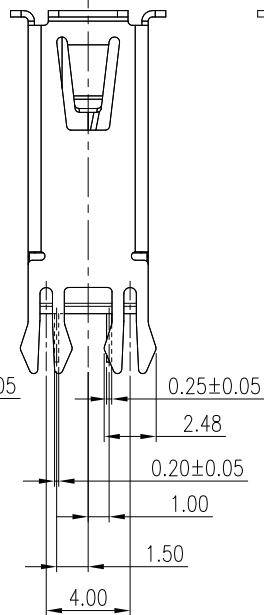
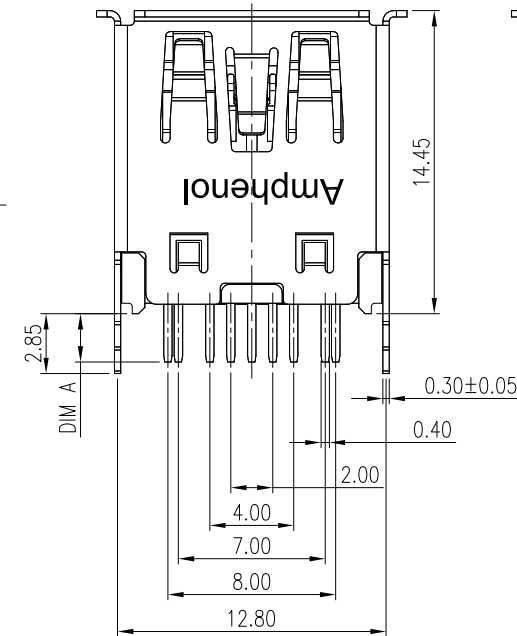
COLOR & PACKAGE
 7: PA4T BLUE(300C); TRAY
 8: PA4T BLACK; TRAY
 C: PA4T BLACK; T&R W/CAP
 R: PA4T BLUE(300C); T&R W/CAP

NOTES:

- MATERIAL:
 HOUSING: THERMAL PLASTIC, OPTION, UL94V-0, COLOR: OPTION.
 TERMINAL(5P): BRASS.
 TERMINAL(4P): PHOSPHOR BRONZE.
 SHELL: STAINLESS STEEL.
- FINISH:
 TERMINAL:
 CONTACT AREA: SELECTED GOLD PLATING THICKNESS MIN.;
 SOLDERING AREA: MATT TIN PLATING 100 μ" THICKNESS MIN.;
 UNDER PLATING: NICKEL PLATING 50 μ" THICKNESS MIN. OVERALL.
 SHELL:
 NICKEL PLATING 50 μ" THICKNESS MIN. OVERALL.
- PRODUCT SPECIFICATION REFER TO : PS-7425
- WAVE SOLDER CAPABLE TO 265°C
- CAPABLE FOR PIP PROCESS.
- THIS PRODUCT DOESN'T CONTAIN ENVIRONMENTAL HAZARDOUS PER DIRECTIVE 2011/65/EU & 2015/863/EU FOR RoHS COMPLIANT. AND PER IEC 61249-2-21 FOR HALOGEN-FREE COMPLIANT.

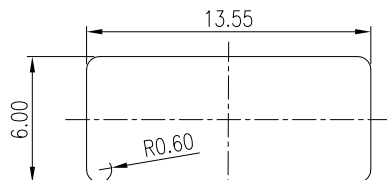


Pin Number	Signal Name
1	VBUS
2	D-
3	D+
4	GND
5	SSRX-
6	SSRX+
7	GND_DRAIN
8	SSTX-
9	SSTX+
Shell	Shield



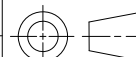
RECOMMENDED P.C.B LAYOUT
 TOLERANCE: ±0.05(TOP VIEWS)

RECOMMENDED P.C.B LAYOUT
 TOLERANCE: ±0.05(TOP VIEWS)
 KEEP OUT AREA



RECOMMENDED PANEL CUTOUT

TOLERANCE	APPROVALS	DATE	TITLE	UNIT	SIZE	PART No.
X.	DRAWN	2021-08-27	GSB3 SERIES, USB 3.0 A TYPE, SINGLE PORT STRAIGHT, PCB MOUNT	mm	A3	GSB3121XXXCHR
X.X ±0.30	Debby Hung					
X.XX ±0.20	CHECKED	2021-08-27				
X.XXX ±0.10	Sandy Wu					
ANGULAR ±1°	APPROVED	2021-08-27				
UNLESS OTHERWISE SPECIFIED	DWG TYPE	PROJECT CODE		SCALE	SHEET	DWG No.
	CUST DWG	OTHER		NA	1 OF 3	GSB3121XXXCHR



Amphenol®

Amphenol Corporation
 Amphenol Taiwan Corporation

REV. B1

This document is the property of Amphenol Corporation and is delivered on the express condition that is not to be disclosed, reproduced or used, in whole or in part, for manufacture or sale by anyone other than Amphenol Corporation without its prior consent, and that no right is granted to disclose or to use any information in this document.

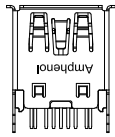
The marking on this product doesn't contain environmental hazardous materials per directive 2011/65/EU & 2015/863/EU for RoHS compliant and per IEC 61249-2-21 for Halogen-Free compliant.



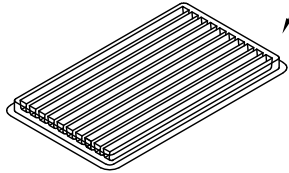
ORIGINAL



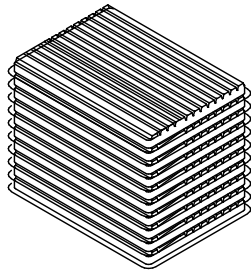
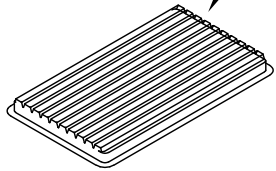
REVISIONS					
SYM	ECN No.	DESCRIPTION	DATE	BY	
C	NE-16065	ADDED T&R PACKAGE/3.2 TAIL/PANEL CUTOUT DIM/DC	03/18/2016	Arron Lin	
D	NE-17119	ADDED BLACK OPTIONS	06/13/2017	Arron Lin	
E	NE-17171	ADDED P.C.B LAYOUT	07/11/2017	Arron Lin	
F	NE-18125	ADDED CAPABLE FOR PIP PROCESS	08/01/2018	Roger Tsai	
A1	NE-19037	SHELL SK7 CHANGE TO STAINLESS STEEL	03/05/2019	Roger Tsai	
B1	NE-21109	UPDATE HOUSING STANDOFF AND PACKING CARRIER	2021-08-27	Debby Hung	



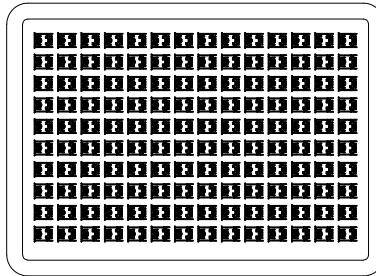
140 PCS/TRAY



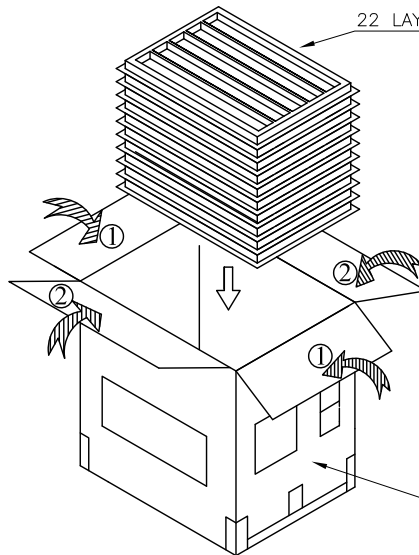
COVER TRAY



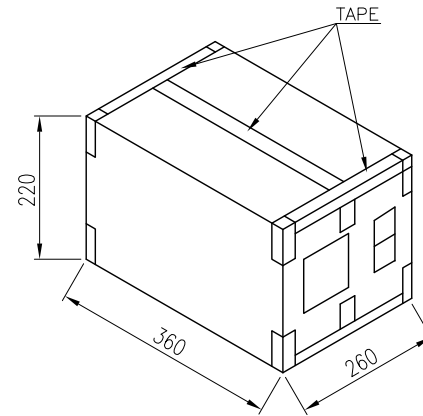
22 LAYERS



22 LAYERS



CARTON



PACKAGING BY TRAY	7.16	6.16	140	22	3080	GSB3121X8XCHR
	7.16	6.16	140	22	3080	GSB3121X7XCHR
	G/W KG	N/W KG	PCS/TRAY	TRAYS/BOX	QUANTITY (PCS)	PART NUMBER

TOLERANCE	APPROVALS	DATE	TITLE		Amphenol®	
X. ±0.30	DRAWN Debby Hung	2021-08-27	GSB3 SERIES, USB 3.0 A TYPE, SINGLE PORT STRAIGHT, PCB MOUNT		Amphenol Corporation Amphenol Taiwan Corporation	
X.X ±0.20	CHECKED Sandy Wu	2021-08-27				
X.XXX ±0.10	APPROVED Roger Tsai	2021-08-27				
ANGULAR ±1°	DWG TYPE CUST DWG	PROJECT CODE OTHER		UNIT mm	SIZE A3	PART No. GSB3121XXXCHR
UNLESS OTHERWISE SPECIFIED				SCALE NA	SHEET 2 OF 3	DWG No. GSB3121XXXCHR REV. B1

This document is the property of Amphenol Corporation and is delivered on the express condition that is not to be disclosed, reproduced or used, in whole or in part, for manufacture or sale by anyone other than Amphenol Corporation without its prior consent, and that no right is granted to disclose or to use any information in this document.

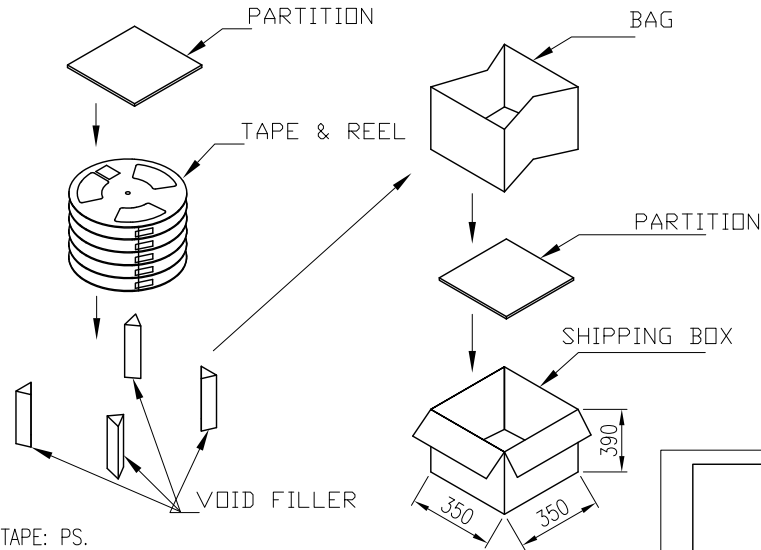
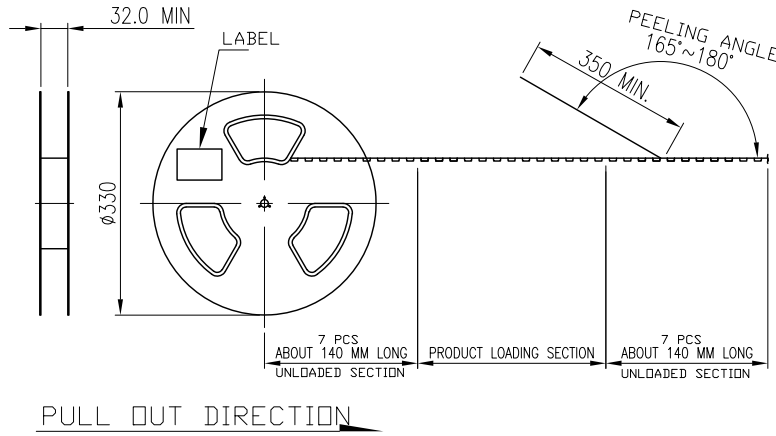
The marking on this product doesn't contain environmental hazardous materials per directive 2011/65/EU & 2015/863/EU for RoHS compliant and per IEC 61249-2-21 for Halogen-Free compliant.



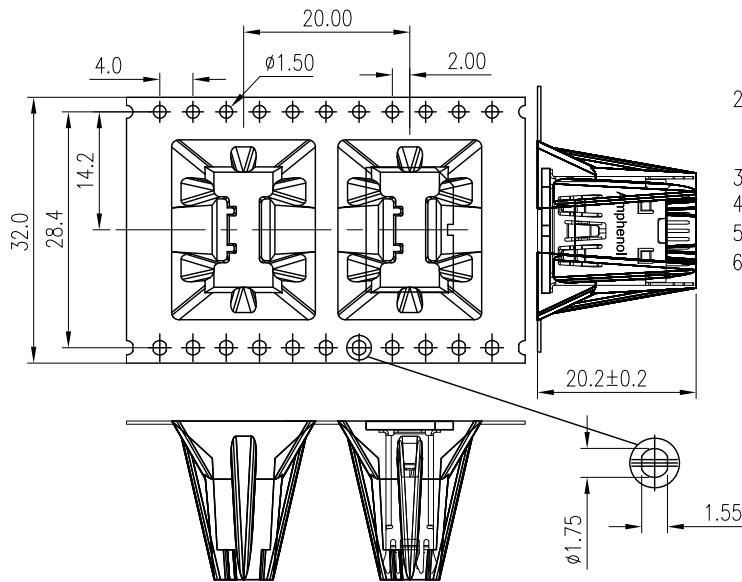
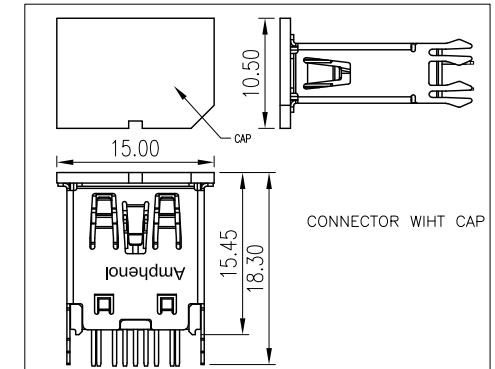
ORIGINAL



REVISIONS					
SYM	ECN No.	DESCRIPTION	DATE	BY	
C	NE-16065	ADDED T&R PACKAGE/3.2 TAIL/PANEL CUTOUT DIM/DC	03/18/2016	Arron Lin	
D	NE-17119	ADDED BLACK OPTIONS	06/13/2017	Arron Lin	
E	NE-17171	ADDED P.C.B LAYOUT	07/11/2017	Arron Lin	
F	NE-18125	ADDED CAPABLE FOR PIP PROCESS	08/01/2018	Roger Tsai	
A1	NE-19037	SHELL SK7 CHANGE TO STAINLESS STEEL	03/05/2019	Roger Tsai	
B1	NE-21109	UPDATE HOUSING STANDOFF AND PACKING CARRIER	2021-08-27	Debby Hung	



- NOTES:
- MATERIAL:
CARRIER TAPE: PS.
COVER TAPE: PET.
REEL: PS.
SHIPPING BOX: CORRUGATED FIBERBOARD.
 - DIMENSION:
REEL: $\phi = 330$.
SHIPPING BOX: L=350, W=350, H=390.
 - QUANTITY: SEE TABLE.
 - SHIPPING BOX WEIGHT: SEE TABLE.
 - PEELING STRENGTH: 0.1~1.3N(10~130 GRAMS)
 - PEELING SPEED: 300mm/min.



PACKAGING BY T&R	10.03	3.03	150	10	1500	GSB3121XCXCHR
	10.03	3.03	150	10	1500	GSB3121RXCHR
	G/W KG	N/W KG	PCS/ REEL	REELS/ BOX	QUANTITY (PCS)	PART NUMBER

TOLERANCE	APPROVALS	DATE	TITLE		Amphenol®		
X. ±0.30	DRAWN Debby Hung	2021-08-27	GSB3 SERIES, USB 3.0 A TYPE, SINGLE PORT STRAIGHT, PCB MOUNT		Amphenol Corporation Amphenol Taiwan Corporation		
X.X ±0.20	CHECKED Sandy Wu	2021-08-27					
X.XXX ±0.10	APPROVED Roger Tsai	2021-08-27					
ANGULAR ±1°	DWG TYPE CUST DWG	PROJECT CODE OTHER	UNIT mm	SCALE NA	SIZE A3	PART No. GSB3121XXXCHR	REV. B1
UNLESS OTHERWISE SPECIFIED			SHEET 3 OF 3	DWG No. GSB3121XXXCHR			