

EXTENDED RANGE

- TOOLING FEASIBILITY CONFIRMED
- SAMPLES ON DEMAND
- AVAILABILITY ON DEMAND

10112690-XXX-YYZLF

INDICATES THAT PRODUCT IS RoHS COMPATIBLE, SEE NOTE 3

PACKAGING :
 (MAY BE SUBJECT TO TOOLING FEES)
 A = TAPE & REEL WITH PICK-UP CAP. SEE GS-14-1516 AS AVAILABLE
 U = TUBE WITHOUT PICK-UP CAP. SEE GS-14-1551

NBR CONTACTS PER ROW : 02 TO 25 = N

V = CUSTOMER SPECIAL
 - = ALL GLOBAL CUSTOMERS

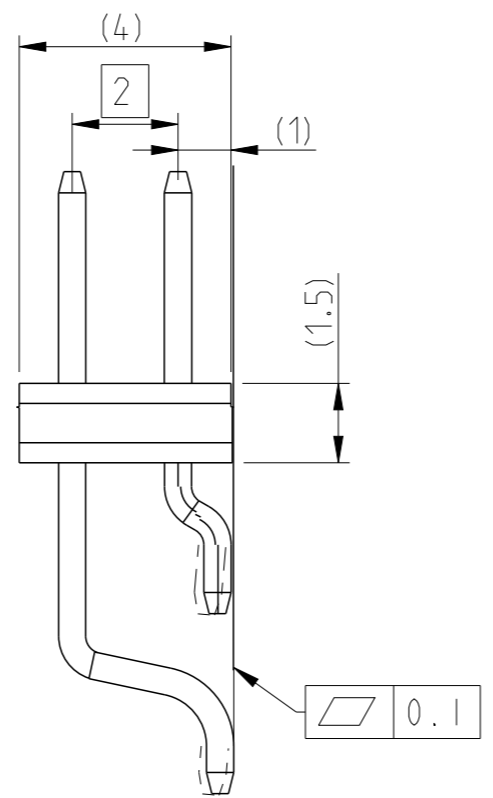
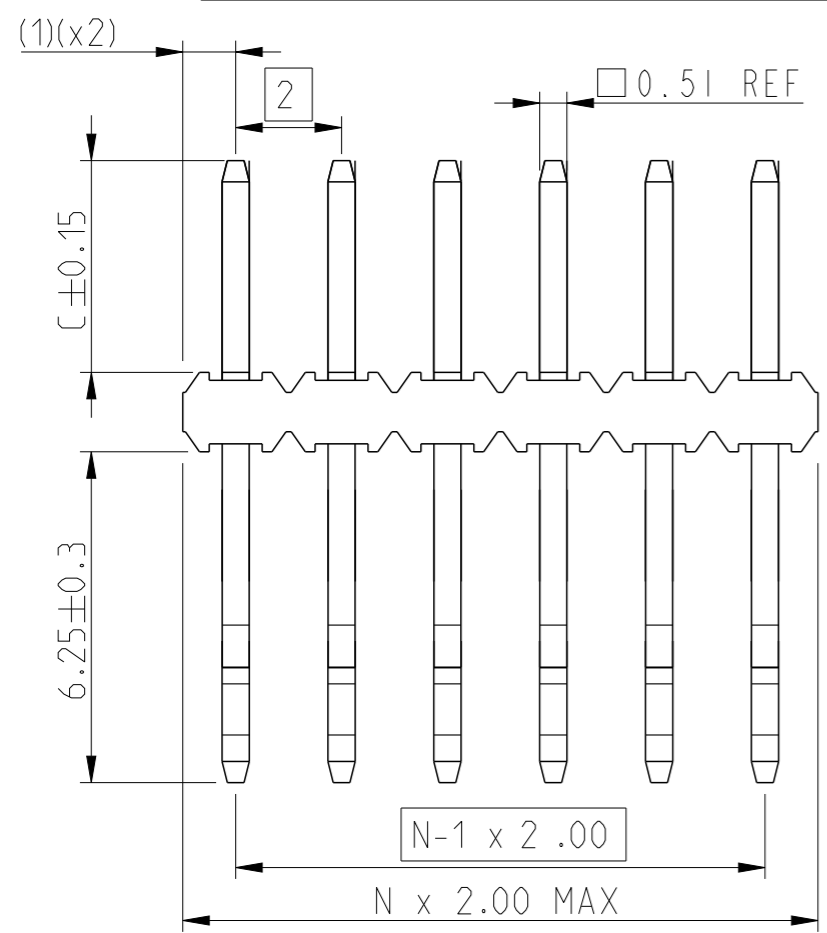
NOT TOOLED

PIN STYLE, SEE TABLE (AS AVAILABLE)

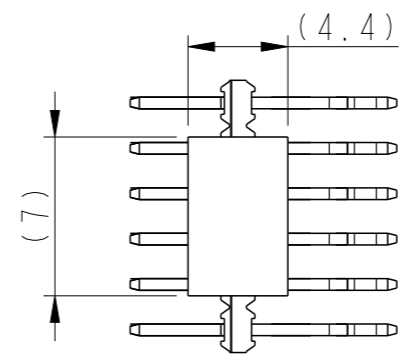
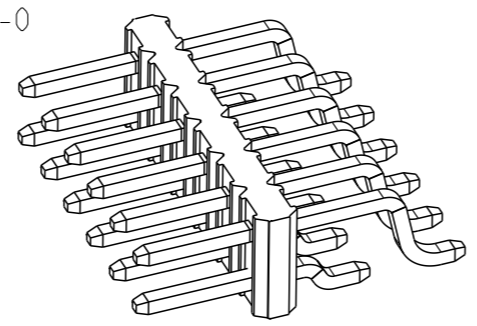
STYLE	01	02	03	04	05	06
DIM C	3.2	2.0	4.0	7.0	5.84	4.82
POST LENGTH						

PLATING :

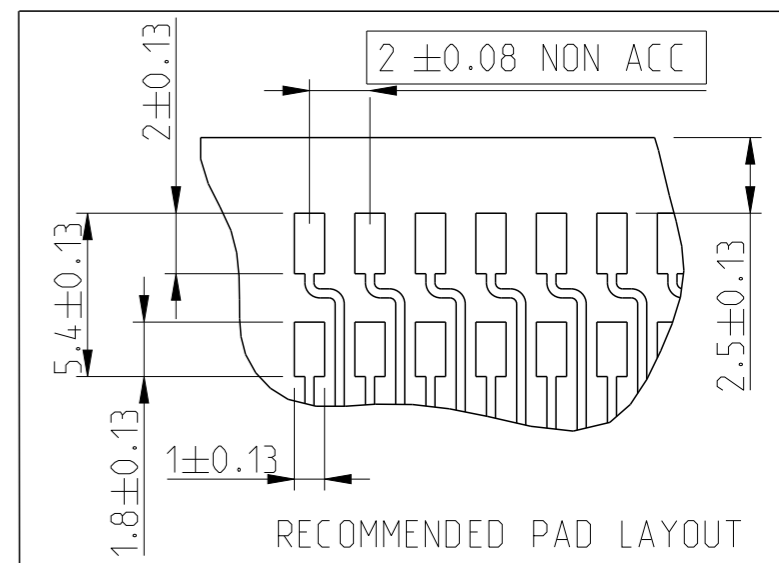
(AS AVAILABLE)
 G= 0.76µm GOLD/GXT ON MATING AREA
 2-6µm PURE TIN ON SOLDER AREA
 F= GOLD FLASH ON MATING AREA
 2-6µm PURE TIN ON SOLDER AREA
 T= 2-6µm PURE TIN ON SOLDER AREA
 2-6µm PURE TIN ON SOLDER AREA
 ALL WITH 1.27µm Ni UNDERPLATING



- NOTES :
- MATERIALS :
 BODY : HIGH TEMP THERMOPLASTIC 30% GF, COLOR BLACK UL94 V-0
 PIN : COPPER ALLOY
 - 7N MIN PIN RETENTION IN EITHER DIRECTION
 - RoHS COMPATIBLE PRODUCT SPECIFICATION :
 a- PLATING : LF MEANS THE PRODUCT IS LEAD FREE, 2µm MIN MATTE TIN OVER 1.27µm NICKEL UNDERPLATING.
 b- MANUFACTURING PRODUCT SPECIFICATION : HOUSING WILL WITHSTAND EXPOSURE TO 260°C PEAK TEMPERATURE FOR 30 SECONDES IN A CONVECTION INFRA-RED OR VAPOR PHASE OVEN.
 c- LABELLING : MEETS PACKAGING SPECS AS PER GS-14-920
 d- LEGAL STATEMENT : See GS-47-0004
 - MINIMUM QUANTITY IN BLIBOX : 500
 - THIS PART SERIES IS NOT INITIALLY INTENDED FOR AUTOMOTIVE APPLICATIONS. ADDITIONAL FEES ARE CHARGEABLE FOR ANY ADDITIONAL QUALIFICATION AND TEST REPORTS PERFORMED OUTSIDE THE SCOPE OF THE STANDARD PRODUCT SPECIFICATIONS.
 - UNLESS OTHERWISE APPROVED BY AMPHENOL, ALL PARTS AND COMPONENTS ARE DESIGNED & BUILT ACCORDING TO AMPHENOL'S SPECIFICATIONS WHICH ARE SUBJECT TO CHANGE WITHOUT NOTICE.



SCALE 3:1
 VIEW WITH PICK-UP CAP



RECOMMENDED PAD LAYOUT

spec ref	GS-12-652	dr	Alexandre Parr	2014/02/28	projection	mm	size	A3	scale	4:1	
tolerance std	ISO 406 ISO 1101	eng	Detouillon, Da	2025/02/04		mm	ecn no	ELX-F-54264-1	rel level	Released	
TOLERANCES UNLESS OTHERWISE SPECIFIED		chr	-	apppr							Lamy, Alexandr
surface	linear	0.X	±0.30		www.fci.com	cat. no.	-	Product - Customer Drw	sheet 1 of 1	rev	K
		0.XX	±0.13								
	angular	0°	±/°								

Amphenol FCI

© 2020 Amphenol Corporation