

PRODUCT NUMBER

89882-YXX(Z)LF

RoHS COMPATIBLE, SEE NOTE 5

OPTIONAL LETTER

H: HIGH TEMPERATURE PRODUCT

NUMBER OF POSITIONS: 02 TO 65

PLATING CODE

3= 0.76µm GOLD ON CONTACT AREA

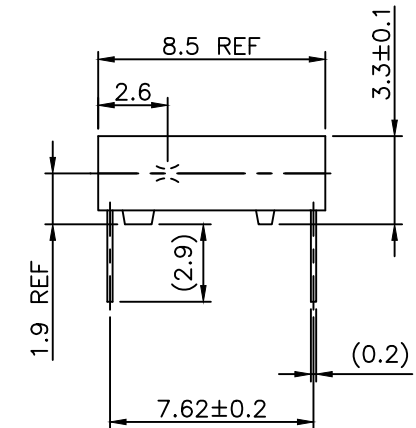
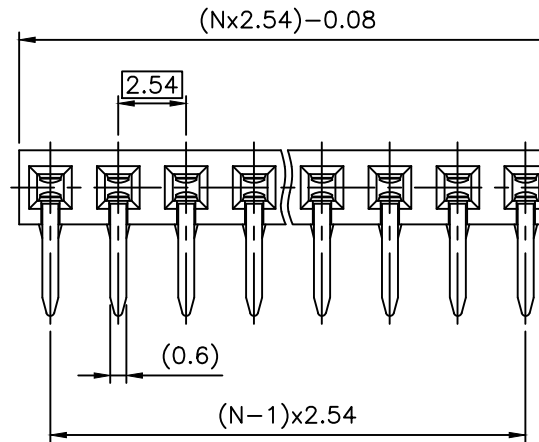
2µm MIN MATTE TIN ON TAIL

4= 2µm MIN MATTE TIN FULL PLATED

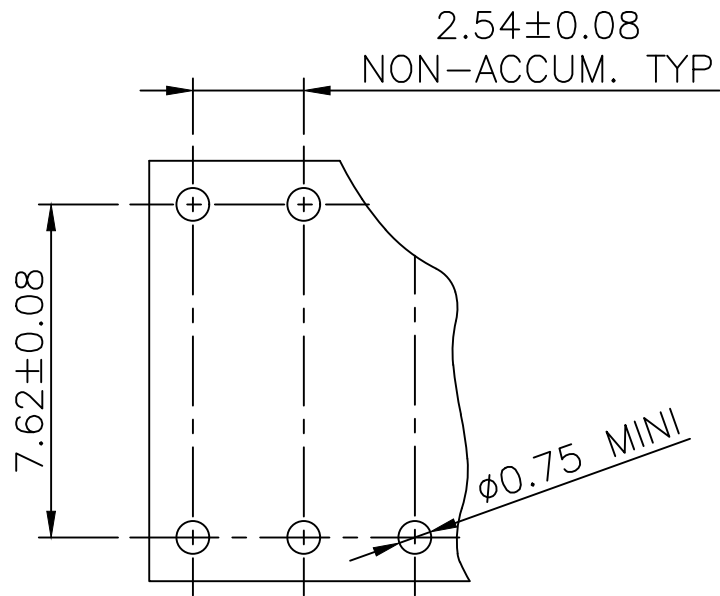
1.27µm Ni MIN UNDERPLATING

NOTES:

- 1 - HOUSING MATERIAL: THERMOPLASTIC GLASS FILLED
FLAME RETARDANT PER UL 94 V-0
LOW TEMPERATURE: COLOR BLUE
HIGH TEMPERATURE: COLOR GREY
- 2 - TERMINAL MATERIAL: PHOSPHOR BRONZE
- 3 - 2 UP TO 4 POSITIONS PRODUCT PACKED IN PLASTIC BOX.
5 UP TO 65 POSITIONS PRODUCT PACKED IN TUBE.
- 4 - TO DETERMINE DIMENSIONS:
N = NUMBER OF POSITIONS
EXAMPLE: 8 POS: (N×2.54)-0.08=20.24 mm
- 5 - RoHS COMPATIBLE PRODUCT SPECIFICATIONS
 - a - PLATING:
 - "LF" MEANS THE PRODUCT IS LEAD-FREE,
2µm MINIMUM MATTE TIN OVER 1.27µm
MINIMUM NICKEL UNDERPLATE.
 - b - MANUFACTURING PROCESS COMPATIBILITY
 - THE HOUSING WILL WITHSTAND EXPOSURE TO
260°C ±5°C SOLDER BATH TEMPERATURE FOR
5 SECONDS IN A WAVE SOLDER APPLICATION
WITH A 1.6mm MIN THICK CIRCUIT BOARD.
 - c - LABELING:
 - MEETS PACKAGING SPECS AS PER GS-14-920
 - d - LEGAL STATEMENT: SEE GS-47-0004
- 6 - THIS PART SERIES IS NOT INITIALLY INTENDED
FOR AUTOMOTIVE APPLICATIONS. ADDITIONAL FEES
ARE CHARGEABLE FOR ANY ADDITIONAL
QUALIFICATION AND TEST REPORTS PERFORMED
OUTSIDE THE SCOPE OF THE STANDARD PRODUCT
SPECIFICATIONS.
- 7 - UNLESS OTHERWISE APPROVED BY AMPHENOL,
ALL PARTS AND COMPONENTS ARE DESIGNED &
BUILT ACCORDING TO AMPHENOL'S SPECIFICATIONS
WHICH ARE SUBJECT TO CHANGE WITHOUT NOTICE.



mat'l. code				surface		tolerance		projection		product family	
SEE NOTES				ISO 1302 ✓		ISO 406 ISO 1101		DUBOX			
ltr	ecn no	dr	date	tolerances unless otherwise specified		mm		title			
K	B-19123	LMU	14.10.21	±0.3		← mm		BtB RECEIPT.			
L	F-59201	DDE	26.01.27	linear		← mm		HORIZ SR TMT			
				±Z		scale 5:1					
F	04-0145	DLE	04.02.25	dr	D.LEGRAND	04.08.29			dwg no		sheet 1 of 2
G	F04-0347	DLE	04.09.28	enfr	P.NIZZI	04.09.28			89882		size
H	F06-0204	DLE	06.06.21	chr	D.LEGRAND	04.09.28			CUSTOMER		A3
J	F06-033d	DLE	06.12.04	appd	P.NIZZI	04.09.28			Drawing		
sheet	revision	L	C								
index	sheet	1	2								



RECOMMENDED HOLE PATTERN

mat'l. code SEE SHEET 1				surface ISO 1302 <input checked="" type="checkbox"/> ISO 406 <input type="checkbox"/> ISO 1101 <input type="checkbox"/>		tolerance ISO 406 ISO 1101		projection 		product family DUBOX	
A	F04-0347	DLE	04.09.28	tolerances unless otherwise specified		±0.3		mm		title BtB RECEPT. HORIZ SR TMT	
B	F06-0204	DLE	06.06.21	angles	linear			scale 5:1		dwg no 89882	
C	F-59201	DDE	26.01.27	±Z						sheet 2 of 2	
				dr	D.LEGRAND	04.09.28					size A3
				enr	P.NIZZI	04.09.28					
				chr	D.LEGRAND	04.09.28					
				appd	P.NIZZI	04.09.28					type CUSTOMER Drawing
sheet index		revision sheet									



Amphenol FCI
FCIconnect.com

Copyright FCI