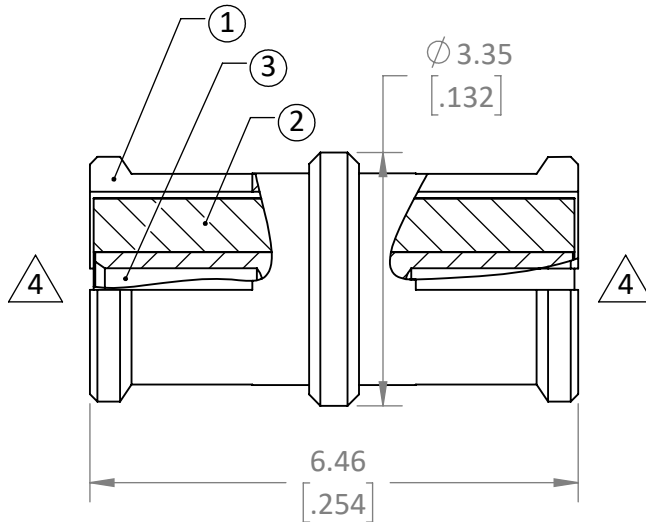


REVISIONS			
REV	DESCRIPTION	DATE	APPV
A	PRODUCTION RELEASE	JHAGER 3/16/21	




NOTES: (UNLESS OTHERWISE SPECIFIED)

1. ALL DIMENSIONS ARE IN MILLIMETERS [IN].
2. DIMENSIONS APPLY AFTER FINISHING.
3. MANUFACTURE TO BE COMPLIANT WITH EU RoHS DIRECTIVE, USE MATERIALS THAT DO NOT CONTAIN REACH SUBSTANCES OF VERY HIGH CONCERN >1000ppm, AND USE DRC CONFLICT-FREE SOURCED MATERIALS.
4. INTERFACE SMP IAW MIL-STD-348 B
5. ALL UNLISTED DIMENSIONS ARE CONTROLLED BY SOLID MODEL AT CURRENT REVISION
6. DURABILITY: 100 CYCLES
7. OPERATING TEMP: -65°C - +165°C
8. IMPEDANCE: 50Ω
9. FREQUENCY RANGE: 0-26.5GHz
10. VSWR: 1.2 [DC-10GHz], 1.4 [10.01-18GHz], 1.5 [18.01-26.5GHz]
11. CONTACT RESISTANCE: 6mΩ [CENTER] 3mΩ [OUTER]
12. INSERTION LOSS: NTE .075 x √f (GHz)
13. DIELECTRIC: 500Vrms

3	CONTACT, SMP, FEM-FEM, GLD/BeCu
2	INSULATOR, PTFE, PIN SUPPORT, NAT
1	ADAPTER BODY, SMPF - SMPF, GOLD/BeCu
ITEM	DESCRIPTION

WARNING: THIS DRAWING CONTAINS PROPRIETARY INFORMATION THAT IS THE SOLE PROPERTY OF LINX TECHNOLOGIES, AND SHALL BE TREATED AS SUCH. NO DISCLOSURE OR REPRODUCTION OF THIS DOCUMENT IS PERMITTED, IN WHOLE OR IN PART, WITHOUT THE EXPRESS WRITTEN PERMISSION OF LINX TECHNOLOGIES OR ITS DESIGNATED AGENTS.

MATERIAL: BeCu	INTERPRET DIMENSIONS AND TOLERANCES PER ASME Y14.5. .X ±2.0 .XX ±1.00 .XXX ±.500	PROJECTION: 
FINISH: GOLD	DRAWN: JHAGER ENGR: DASARATHAN	DT: 3/16/21 DT: 3/16/21



159 ORT LANE
MERLIN, OR 97532

TITLE:
**ADAPTER BULLET
SMP-SMP JACK GOLD**

SIZE A	DWG. NO. C-ADP-SMPF-SMPF-G	REV A
SCALE: 10:1	DO NOT SCALE DRAWING	SHEET 1 OF 1