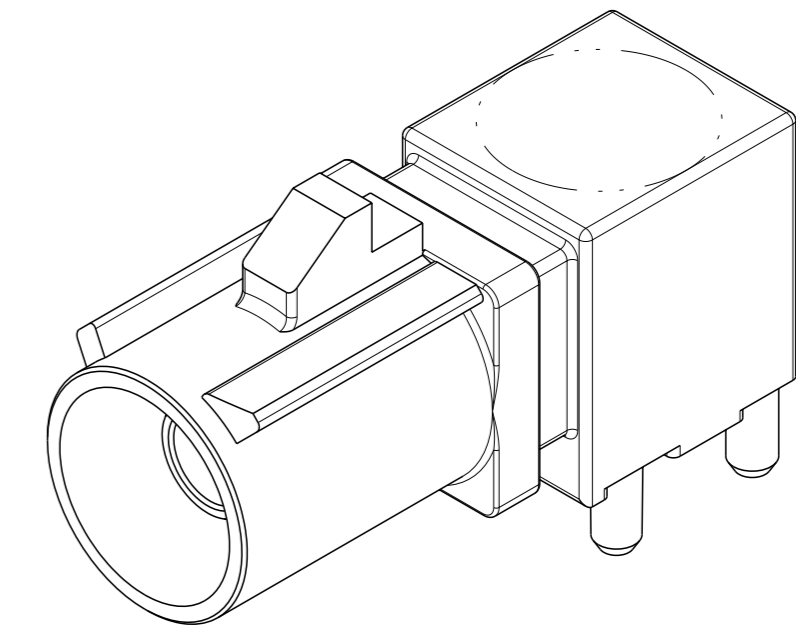
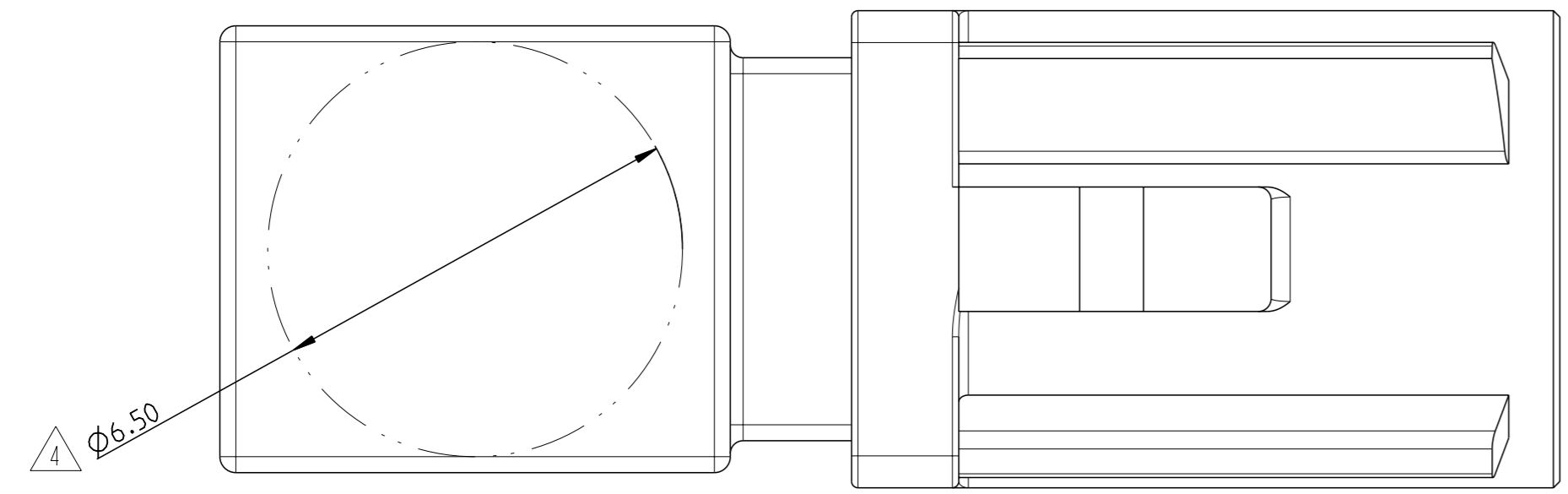
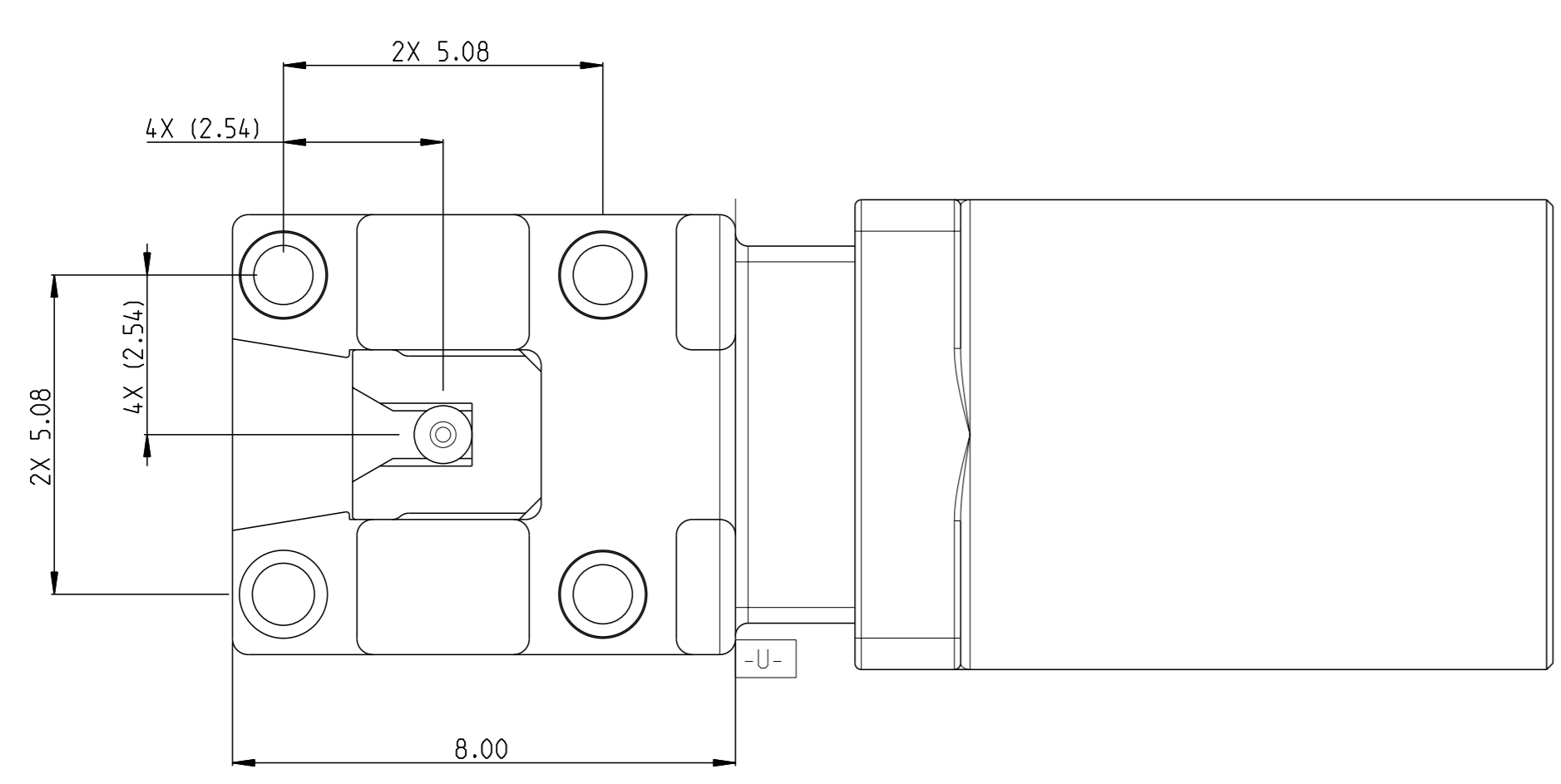
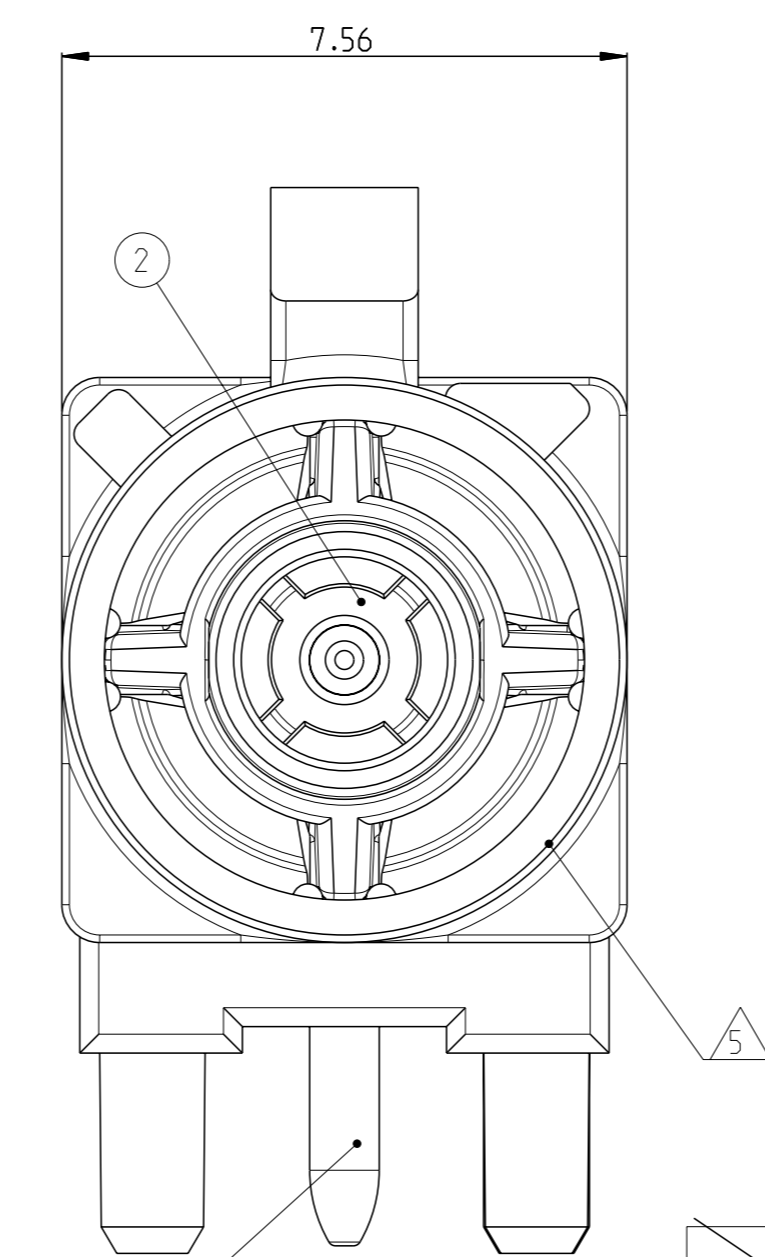
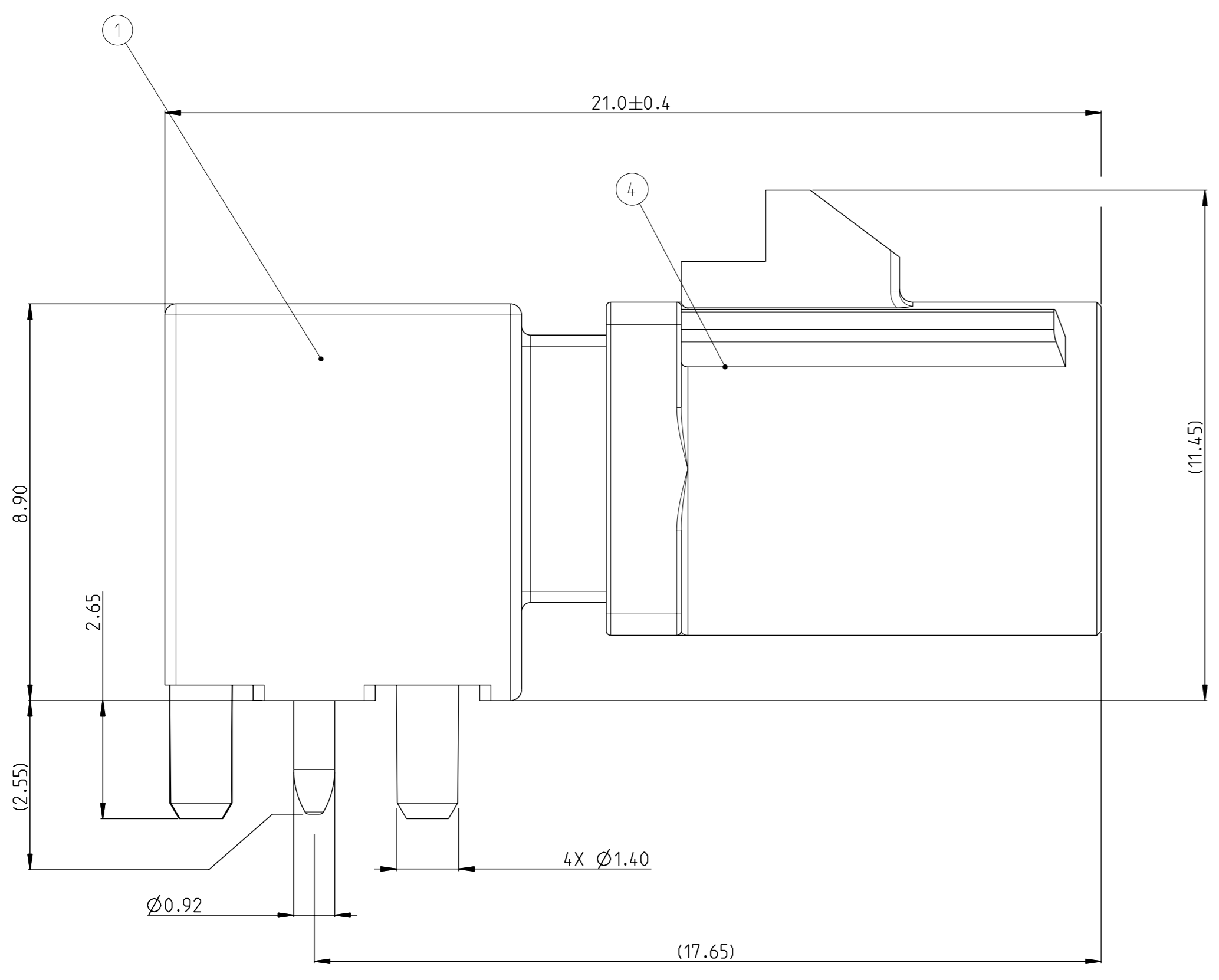


REVISIONS				
#	CT#	DESCRIPTION	DATE	OWN APVD
	B5	ADD NEW PN	26JAN26	A.C C.P



SCALE 5:1

- 1 NOSE CONE - NYLON. COLOR: SEE TABLE. 30% GLASS FILLED. DIELECTRIC - POLYESTER PCT. NATURAL. 30% GLASS FILLED. PIN CONTACT - BRASS. OUTER SHELL - ZINC.
- 2 PIN CONTACT - 0.38 μm MIN GOLD ON INTERFACE END. 2.5 μm MIN TIN ON SOLDER END. BOTH OVER 1.3 μm MIN NICKEL. OUTER SHELL - 2.0 μm MIN TIN OVER 1.52 μm MIN NICKEL. BOTH OVER 2.54 μm MIN COPPER.
- 3 MASS = 3.94g (REFERENCE)
- 4 VACUUM PICKUP AREA.
- 5 ROAD VEHICLES 50 Ohm RADIO FREQUENCY INTERFACE.
- 6 PACKAGING: TAPE AND REEL.



PER DETAIL Z	WATER BLUE	MATERIAL BRASS	MATERIAL PCT	MATERIAL ZINC ALLOY	Z	4-2291392-0	LATCH DIRECTION: 6 O'CLOCK
PER DETAIL N	PASTEL GREEN				N	3-2291392-3	
PER DETAIL M	PASTEL ORANGE				M	3-2291392-2	
PER DETAIL L	CARMINE RED				L	3-2291392-1	
PER DETAIL K	CURRY				K	3-2291392-0	
PER DETAIL I	BEIGE				I	2-2291392-9	
PER DETAIL H	HEATHER VIOLET				H	2-2291392-8	
PER DETAIL G	BLUE GREY				G	2-2291392-7	
PER DETAIL F	NUT BROWN				F	2-2291392-6	
PER DETAIL E	LEAF GREEN				E	2-2291392-5	
PER DETAIL D	CLARET VIOLET	D	2-2291392-4				
PER DETAIL C	SIGNAL BLUE	C	2-2291392-3				
PER DETAIL B	CREAM	B	2-2291392-2				
PER DETAIL A	JET BLACK	A	2-2291392-1				
PER DETAIL Z	WATER BLUE	MATERIAL BRASS	MATERIAL PCT	MATERIAL ZINC ALLOY	Z	2-2291392-0	LATCH DIRECTION: 12 O'CLOCK
PER DETAIL N	PASTEL GREEN				N	1-2291392-3	
PER DETAIL M	PASTEL ORANGE				M	1-2291392-2	
PER DETAIL L	CARMINE RED				L	1-2291392-1	
PER DETAIL K	CURRY				K	1-2291392-0	
PER DETAIL I	BEIGE				I	2291392-9	
PER DETAIL H	HEATHER VIOLET				H	2291392-8	
PER DETAIL G	BLUE GREY				G	2291392-7	
PER DETAIL F	NUT BROWN				F	2291392-6	
PER DETAIL E	LEAF GREEN				E	2291392-5	
PER DETAIL D	CLARET VIOLET	D	2291392-4				
PER DETAIL C	SIGNAL BLUE	C	2291392-3				
PER DETAIL B	CREAM	B	2291392-2				
PER DETAIL A	JET BLACK	A	2291392-1				
CODING DETAIL	NOSE CONE COLOR	CENTER PIN	DIELECTRIC	DIE CASTING	CODING REF	PART NUMBER	DESCRIPTION

THIS DRAWING IS A CONTROLLED DOCUMENT.

OWN: A.CAI 03NOV2021
 CHK: C.PAN 03NOV2021
 APVD: LYJIN 03NOV2021

DIMENSIONS: mm
 TOLERANCES UNLESS OTHERWISE SPECIFIED:
 0 PLC ±
 1 PLC ±0.3
 2 PLC ±0.20
 3 PLC ±
 4 PLC ±
 ANGLES FINISH *

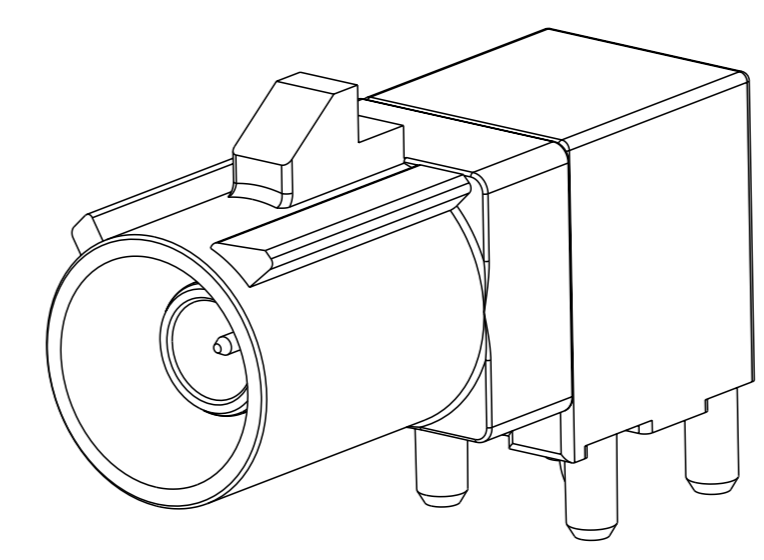
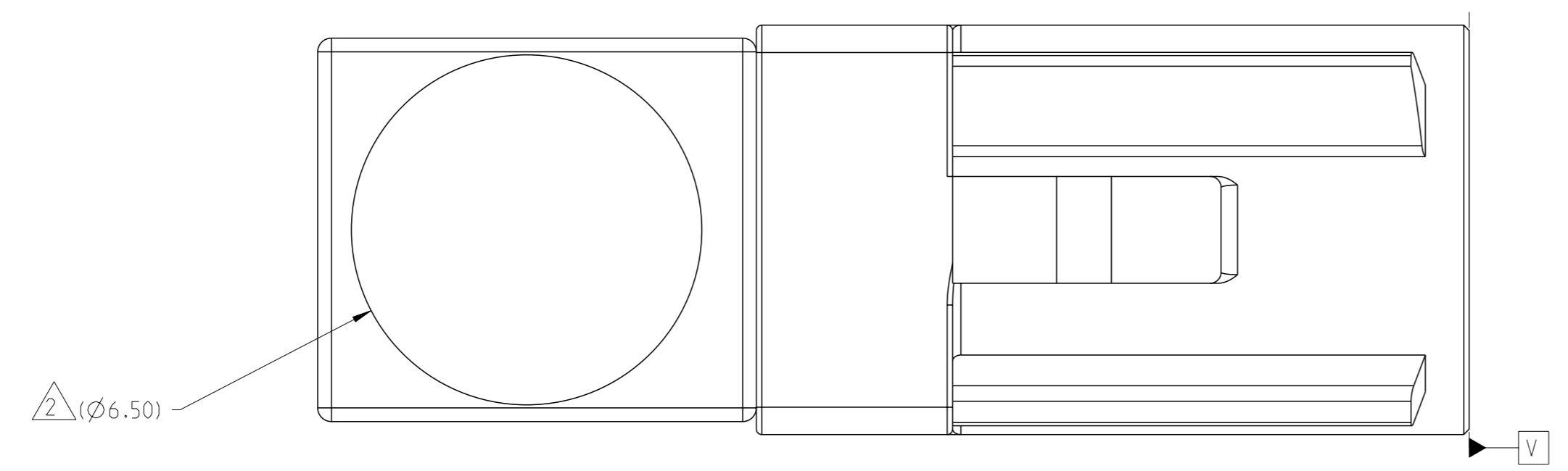
MATERIAL: -
 FINISH: -

WEIGHT: -
 CUSTOMER DRAWING

SIZE: A | 00779 | C=2291392
 CAGE CODE: -
 DRAWING NO: -
 RESTRICTED TO: -

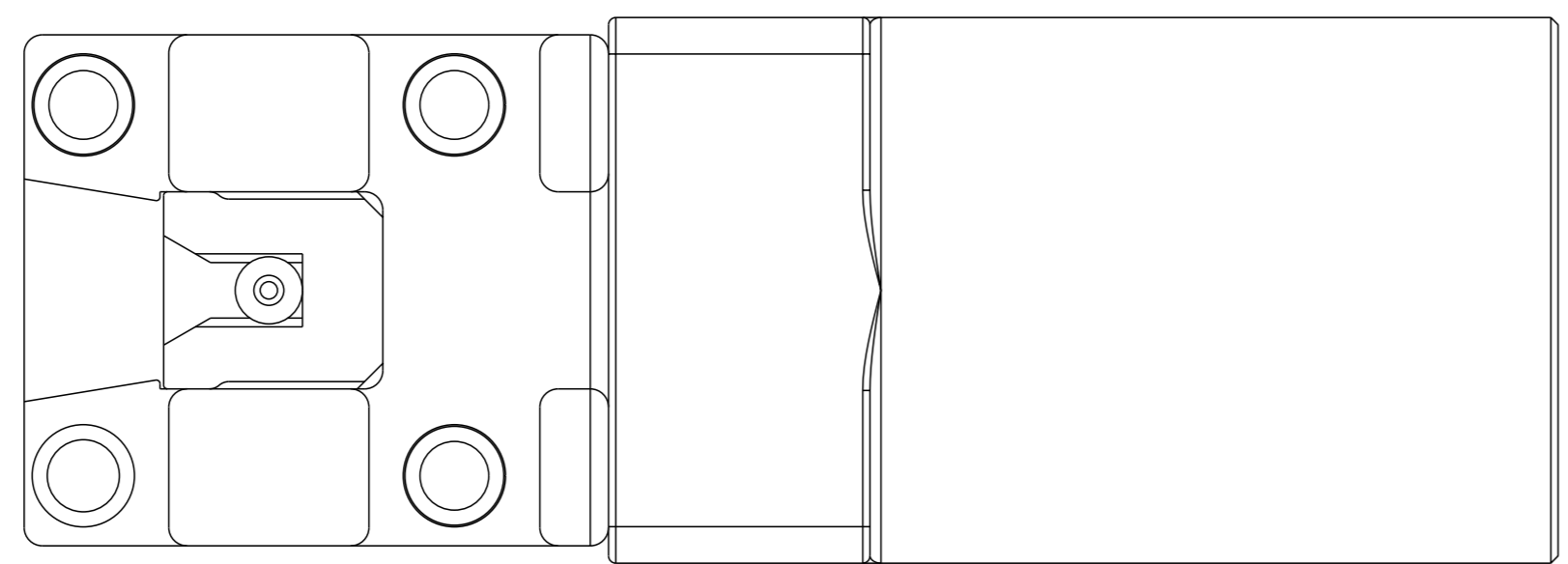
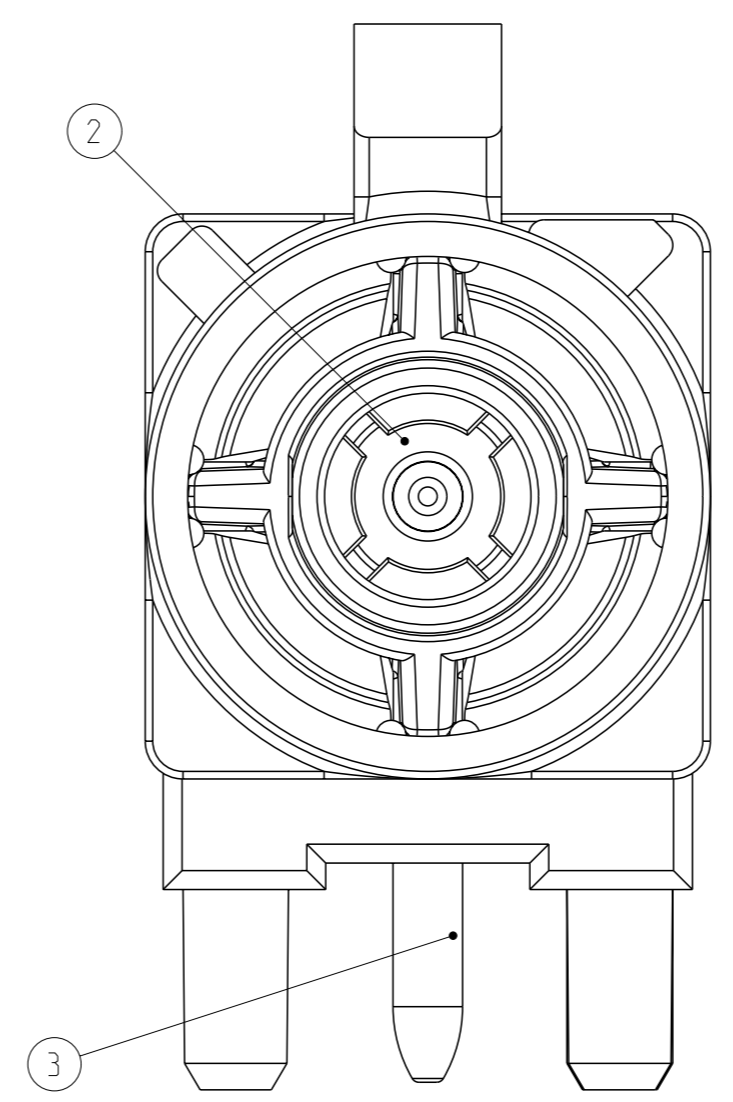
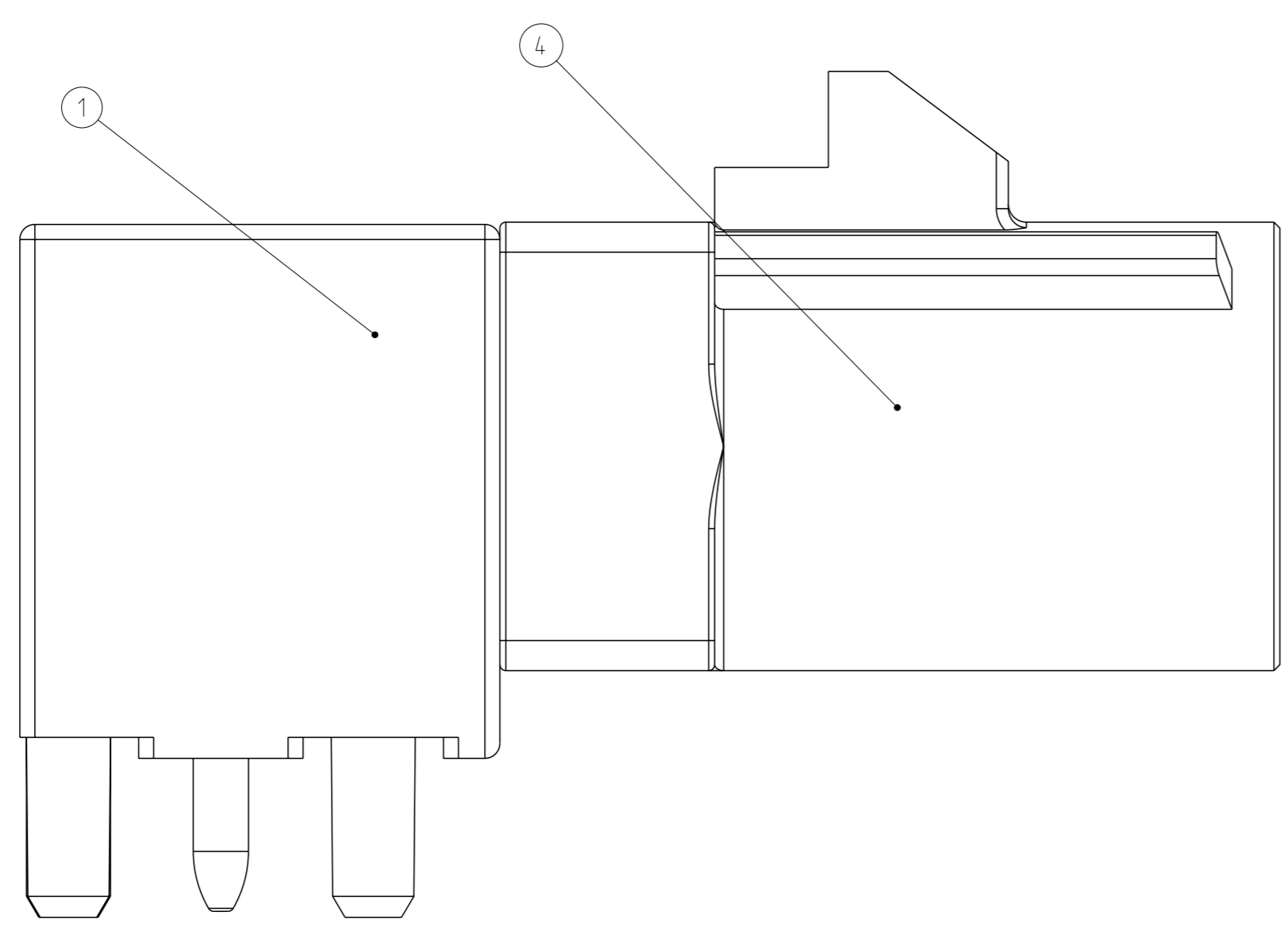
SCALE: 5:1 SHEET 1 OF 3 REV: B5

TE Connectivity
 NAME: MALE ASSEMBLY, STANDOFF
 1 POSITION, PCB, FAKRA



REVISIONS				
P.	LY#	DESCRIPTION	DATE	OWN / APVD
-		SEE SHEET 1	-	-

- 1 MASS = 3.84g (REFERENCE)
- 2 VACUUM PICKUP AREA.



PER DETAIL Z	WATER BLUE	MATERIAL BRASS	MATERIAL PCT	MATERIAL ZINC ALLOY	Z	7-2291392-0	LATCH DIRECTION: 12 O'CLOCK
PER DETAIL N	PASTEL GREEN				N	6-2291392-3	
PER DETAIL M	PASTEL ORANGE				M	6-2291392-2	
PER DETAIL L	CARMINE RED				L	6-2291392-1	
PER DETAIL K	CURRY				K	6-2291392-0	
PER DETAIL I	BEIGE				I	5-2291392-9	
PER DETAIL H	HEATHER VIOLET				H	5-2291392-8	
PER DETAIL G	BLUE GREY				G	5-2291392-7	
PER DETAIL F	NUT BROWN				F	5-2291392-6	
PER DETAIL E	LEAF GREEN				E	5-2291392-5	
PER DETAIL D	CLARET VIOLET				D	5-2291392-4	
PER DETAIL C	SIGNAL BLUE				C	5-2291392-3	
PER DETAIL B	CREAM				B	5-2291392-2	
PER DETAIL A	JET BLACK	A	5-2291392-1				
CODING DETAIL	NOSE CONE COLOR ④	CENTER PIN ③	DIELECTRIC ②	DIE CASTING ①	CODING REF	PART NUMBER	DESCRIPTION

UNSPECIFIED DIMENSIONS AND NOTES FOLLOW PAGE 1

THIS DRAWING IS A CONTROLLED DOCUMENT.

DIMENSIONS:	TOLERANCES UNLESS OTHERWISE SPECIFIED:	OWN	03NOV2021
mm	0 PLC ±	ALCAI	03NOV2021
	1 PLC ±0.3	CIPAN	03NOV2021
	2 PLC ±0.20	APVD	03NOV2021
	3 PLC ±	LYVIN	03NOV2021
	4 PLC ±	PRODUCT SPEC	108-32058
	ANGLES	APPLICATION SPEC	
	FINISH	SIZE	CAGE CODE
		WEIGHT	DRAWING NO
		CUSTOMER DRAWING	00779

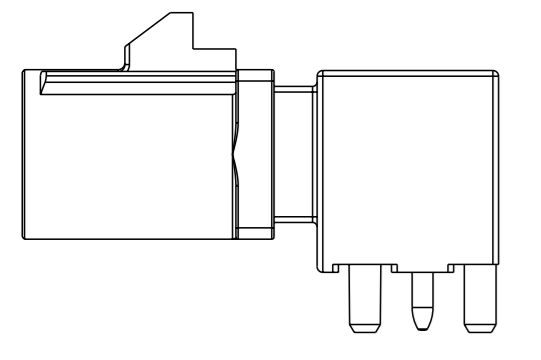
RESTRICTED TO: B5

CODINGS

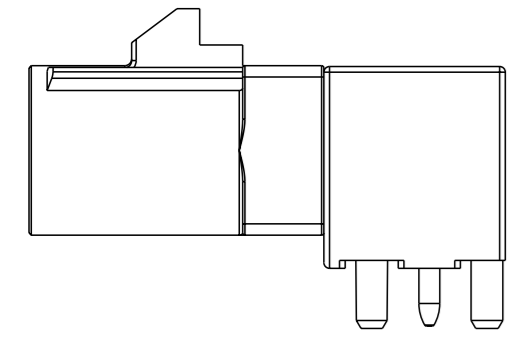
REVISIONS				
P	LY#	DESCRIPTION	DATE	OWN
-	-	SEE SHEET 1	-	-

LATCH DIRECTION: 12 O'CLOCK
(SHOWN AS 0-1-2291392-X/2-2291392-0)

DETAIL A	DETAIL B	DETAIL C	DETAIL D	DETAIL E	DETAIL F	DETAIL G
DETAIL H	DETAIL I	DETAIL K	DETAIL L	DETAIL M	DETAIL N	DETAIL Z



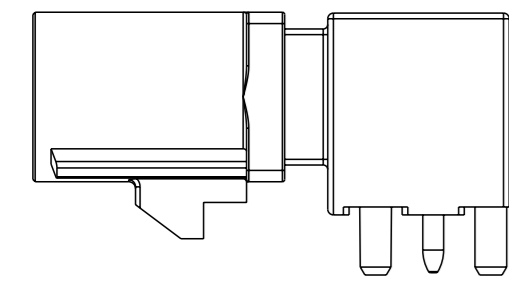
0-1-2291392-X/2-2291392-0



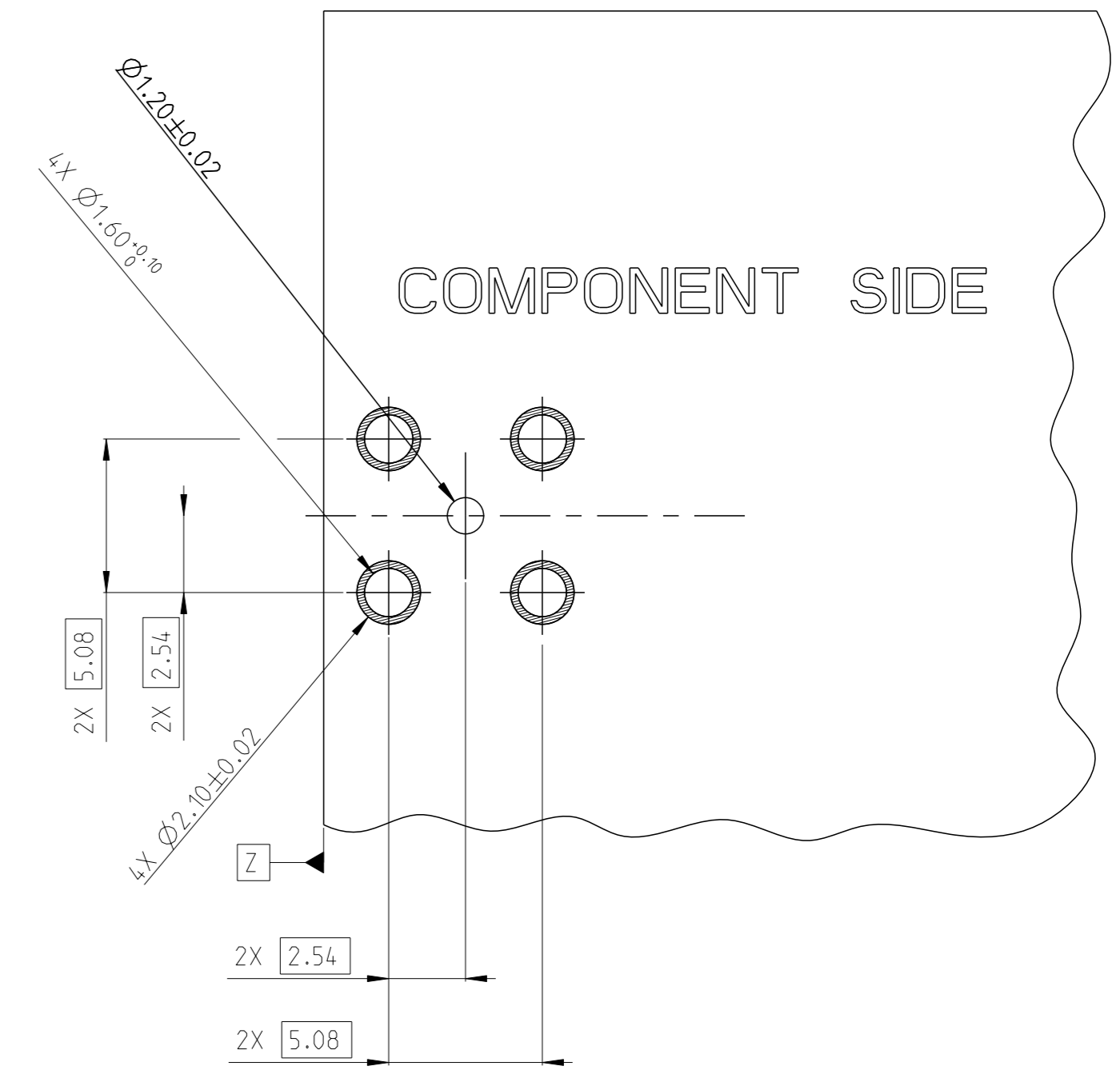
5-16-17-2291392-X

LATCH DIRECTION: 6 O'CLOCK
(SHOWN AS 2-2291392-1/2/3/4/5/6/7/8/9
3-14-2291392-X)

DETAIL A	DETAIL B	DETAIL C	DETAIL D	DETAIL E	DETAIL F	DETAIL G
DETAIL H	DETAIL I	DETAIL K	DETAIL L	DETAIL M	DETAIL N	DETAIL Z



2-2291392-1/2/3/4/5/6/7/8/9
3-14-2291392-X



RECOMMEND PCB LAYOUT

THIS DRAWING IS A CONTROLLED DOCUMENT.		OWN: A.CAI	03NOV2021		NAME: MALE ASSEMBLY, STANDOFF 1 POSITION, PCB, FAKRA
DIMENSIONS: mm		CHK: C.PAN	03NOV2021		
TOLERANCES UNLESS OTHERWISE SPECIFIED:		APVD: LYXIN	03NOV2021	SIZE: A	CAGE CODE: 00779
0 PLC ±0.3	1 PLC ±0.20	PRODUCT SPEC	APPLICATION SPEC	SCALE: 5:1	SHEET 3 OF 3
2 PLC ±0.20	3 PLC ±0.20	WEIGHT	CUSTOMER DRAWING	REV: B5	
4 PLC ±0.20	ANGLES FINISH *				