

This document is the property of Amphenol Corporation and is delivered on the express condition that is not to be disclosed, reproduced or used in whole or in part, for manufacture or sale by anyone other than Amphenol Corporation without its prior consent, and that no right is granted to disclose or to use any information in this document.

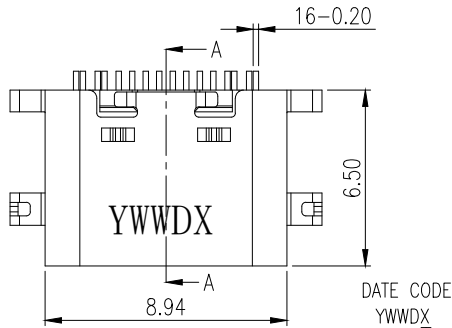
The marking on this product doesn't contain environmental hazardous materials per directive 2011/65/EU & 2015/863/EU for RoHS compliant and per IEC 61249-2-21 for Halogen-Free compliant.



ORIGINAL

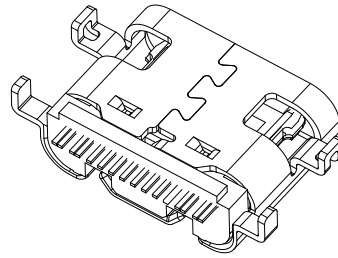


REVISIONS				
SYM	ECN No.	DESCRIPTION	DATE	BY
A	NE-26097	RELEASE REVISION	2026-03-31	Debby Hung



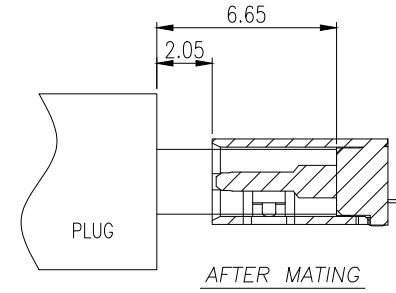
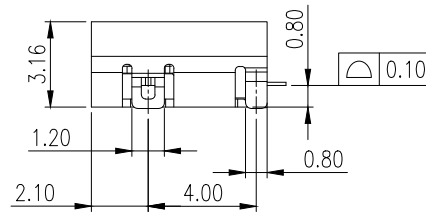
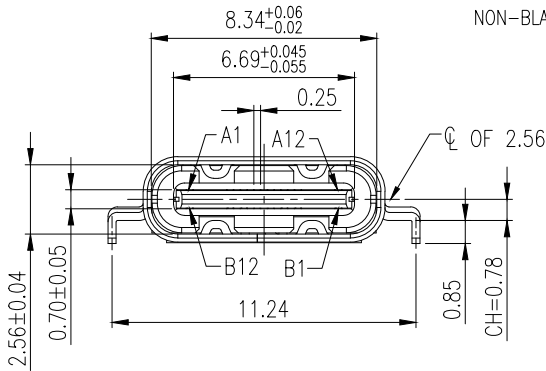
DATE CODE  
YWWDX

DEFAULT: BLANK  
NON-BLANK: INTERNAL USE.



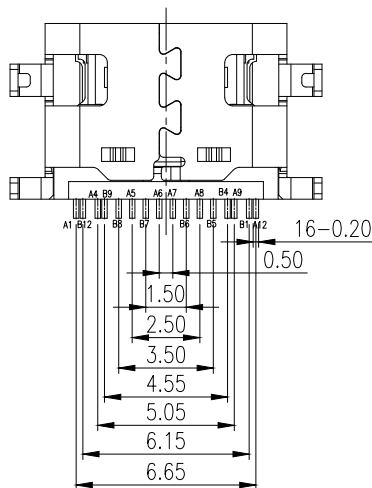
NOTES:

- MATERIAL:  
HOUSING: H-TEMP THERMAL PLASTIC PA9T UL94-V0, COLOR: BLACK  
TERMINAL: COPPER ALLOY.  
MID PLATE: STAINLESS STEEL  
SHELL: STAINLESS STEEL
- FINISH:  
TERMINAL:  
CONTACT AREA: SELECTIVE PLATING;  
SOLDERING AREA: GOLD FLASH PLATING. ;  
UNDER PLATING: NICKEL PLATING 50u" THICKNESS MIN. OVERALL.  
SHELL:  
ELECTROLESS NICKEL PLATING 50u" MIN OVER ALL.
- THIS PRODUCT DOESN'T CONTAIN ENVIRONMENTAL HAZARDOUS PER DIRECTIVE 2011/65/EU & 2015/863/EU FOR RoHS COMPLIANT. AND PER IEC 61249-2-21 FOR HALOGEN-FREE COMPLIANT.
- BEFORE IR REFLOW, COPLANARITY OF SOLDER PINS 0.10MM MAX.



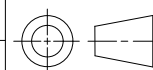
P/N : GSB1C46 X 1DSHR

- CONTACT FINISH
- 3u" GOLD
  - 30u" GOLD
  - 15u" GOLD



PIN ASSIGNMENT							
A1	A4	A5	A6	A7	A8	A9	A12
GND	VBUS	CC1	D+	D-	SBU1	VBUS	GND
GND	VBUS	SBU2	D-	D+	CC2	VBUS	GND
B12	B9	B8	B7	B6	B5	B4	B1

TOLERANCE	APPROVALS	DATE	TITLE		Amphenol®			
X. ±0.30	DRAWN Debby Hung	2026-03-31	USB 2.0 TYPE C 16 PIN RECEPTACLE R/A SINK SMT TYPE, CH=0.78mm		Amphenol Corporation Amphenol Taiwan Corporation			
X.X ±0.20								
X.XX ±0.20	CHECKED Aqua Chou	2026-03-31	APPROVED Joseph Jiang		UNIT	SIZE	PART No.	
X.XXX ±0.10					mm	A3	GSB1C46X1DSHR	
ANGULAR ±1°	DWG TYPE	PROJECT CODE	OTHER		SCALE	SHEET	DWG No.	REV.
UNLESS OTHERWISE SPECIFIED	CUST DWG	OTHER			NA	1 OF 3	GSB1C46X1DSHR	A



This document is the property of Amphenol Corporation and is delivered on the express condition that it is not to be disclosed, reproduced or used in whole or in part, for manufacture or sale by anyone other than Amphenol Corporation without its prior consent, and that no right is granted to disclose or to use any information in this document.

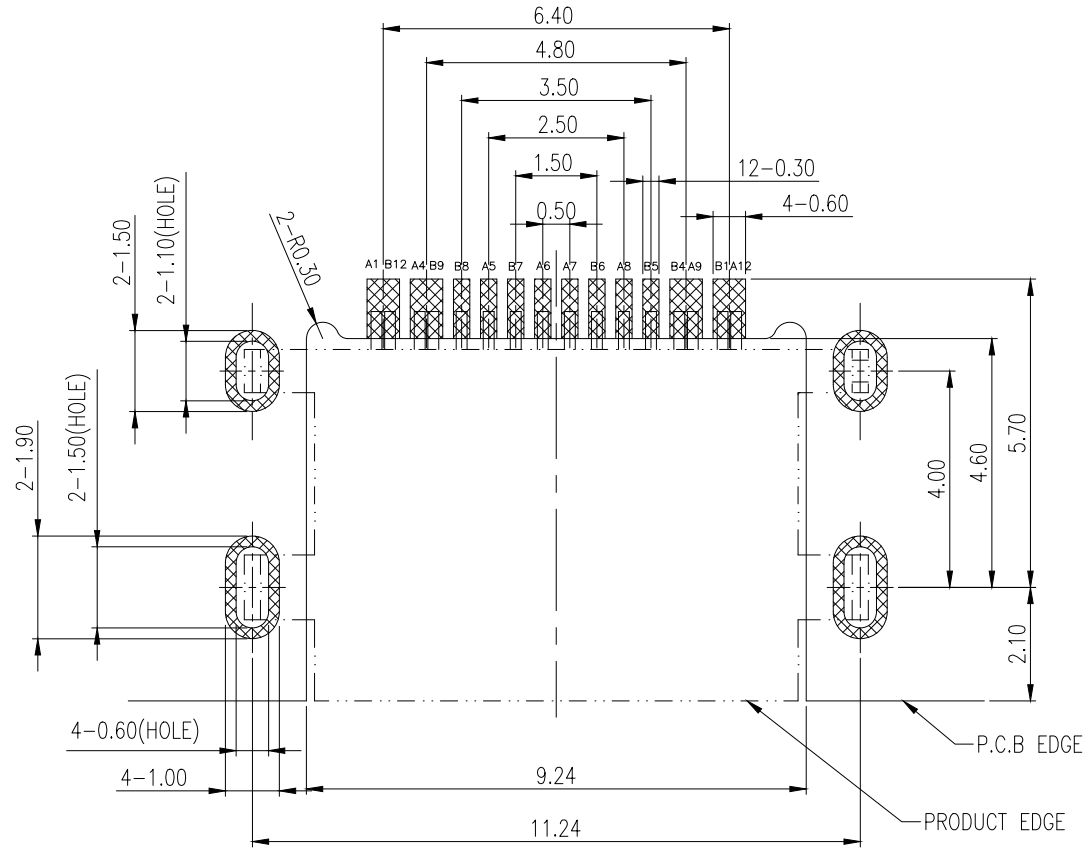
The marking on this product doesn't contain environmental hazardous materials per directive 2011/65/EU & 2015/863/EU for RoHS compliant and per IEC 61249-2-21 for Halogen-Free compliant.



ORIGINAL



REVISIONS				
SYM	ECN No.	DESCRIPTION	DATE	BY
A	NE-26097	RELEASE REVISION	2026-03-31	Debby Hung



RECOMMENDED PCB LAYOUT(TOP VIEW)  
THICKNESS 0.80MM;DEFAULT TOLERANCE:±0.05

TOLERANCE	APPROVALS	DATE	TITLE		Amphenol®			
X. ±0.30	DRAWN Debby Hung	2026-03-31	USB 2.0 TYPE C 16 PIN RECEPTACLE R/A SINK SMT TYPE, CH=0.78mm		Amphenol Corporation Amphenol Taiwan Corporation			
X.XX ±0.20								
X.XXX ±0.10	CHECKED Aqua Chou	2026-03-31	UNIT mm SIZE A3		PART No. GSB1C46X1DSHR			
ANGULAR ±1°	APPROVED Joseph Jiang	2026-03-31			SCALE NA SHEET 2 OF 3		DWG No. GSB1C46X1DSHR REV. A	
UNLESS OTHERWISE SPECIFIED	DWG TYPE CUST DWG	PROJECT CODE OTHER						

This document is the property of Amphenol Corporation and is delivered on the express condition that it is not to be disclosed, reproduced or used in whole or in part, for manufacture or sale by anyone other than Amphenol Corporation without its prior consent, and that no right is granted to disclose or to use any information in this document.

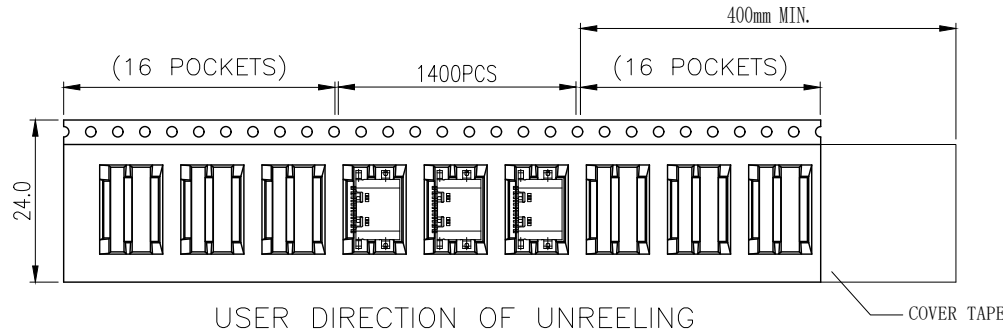
The marking on this product doesn't contain environmental hazardous materials per directive 2011/65/EU & 2015/863/EU for RoHS compliant and per IEC 61249-2-21 for Halogen-Free compliant.



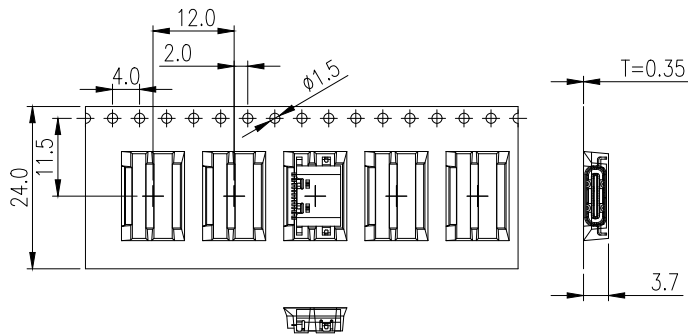
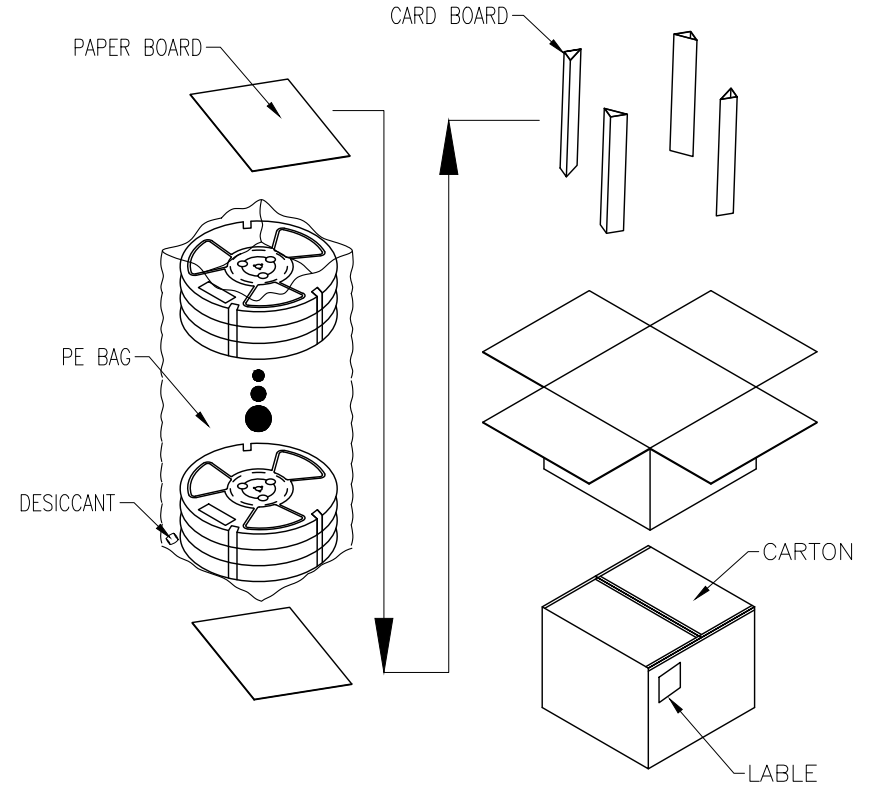
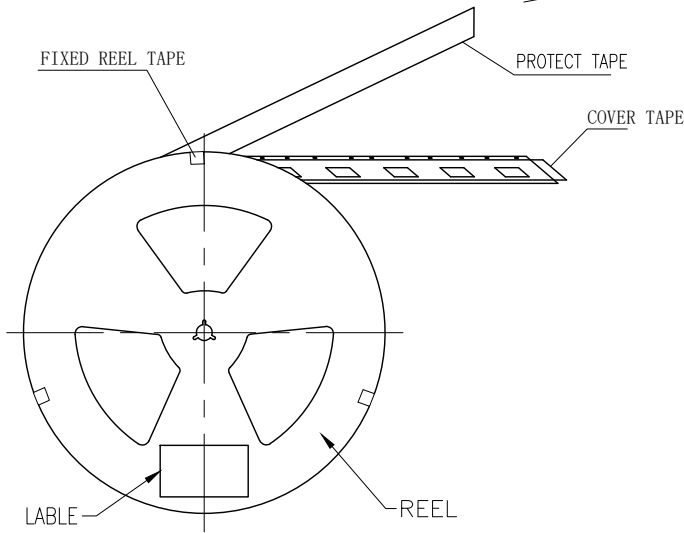
ORIGINAL



REVISIONS				
SYM	ECN No.	DESCRIPTION	DATE	BY
A	NE-26097	RELEASE REVISION	2026-03-31	Debby Hung



USER DIRECTION OF UNREELING



PACKAGING BY T&R	10.7 G/W KG	5.57 N/W KG	1400 PCS/REEL	10 REELS/BOX	14000 QUANTITY (PCS)	GSB1C46X1DSHR PART NUMBER
------------------	-------------	-------------	---------------	--------------	----------------------	---------------------------

TOLERANCE	APPROVALS	DATE	TITLE		PART No.					
X. ±0.30	DRAWN Debby Hung	2026-03-31	USB 2.0 TYPE C 16 PIN RECEPTACLE R/A SINK SMT TYPE, CH=0.78mm		Amphenol® Amphenol Corporation Amphenol Taiwan Corporation					
X.X ±0.20										
X.XX ±0.10	CHECKED Aqua Chou	2026-03-31	UNLESS OTHERWISE SPECIFIED		UNIT	mm				
X.XXX ±0.10	APPROVED Joseph Jiang	2026-03-31			SCALE	NA	SIZE	A3		
ANGULAR ±1°	DWG TYPE CUST DWG	PROJECT CODE OTHER			SHEET	3 OF 3	DWG No.	GSB1C46X1DSHR	REV.	A