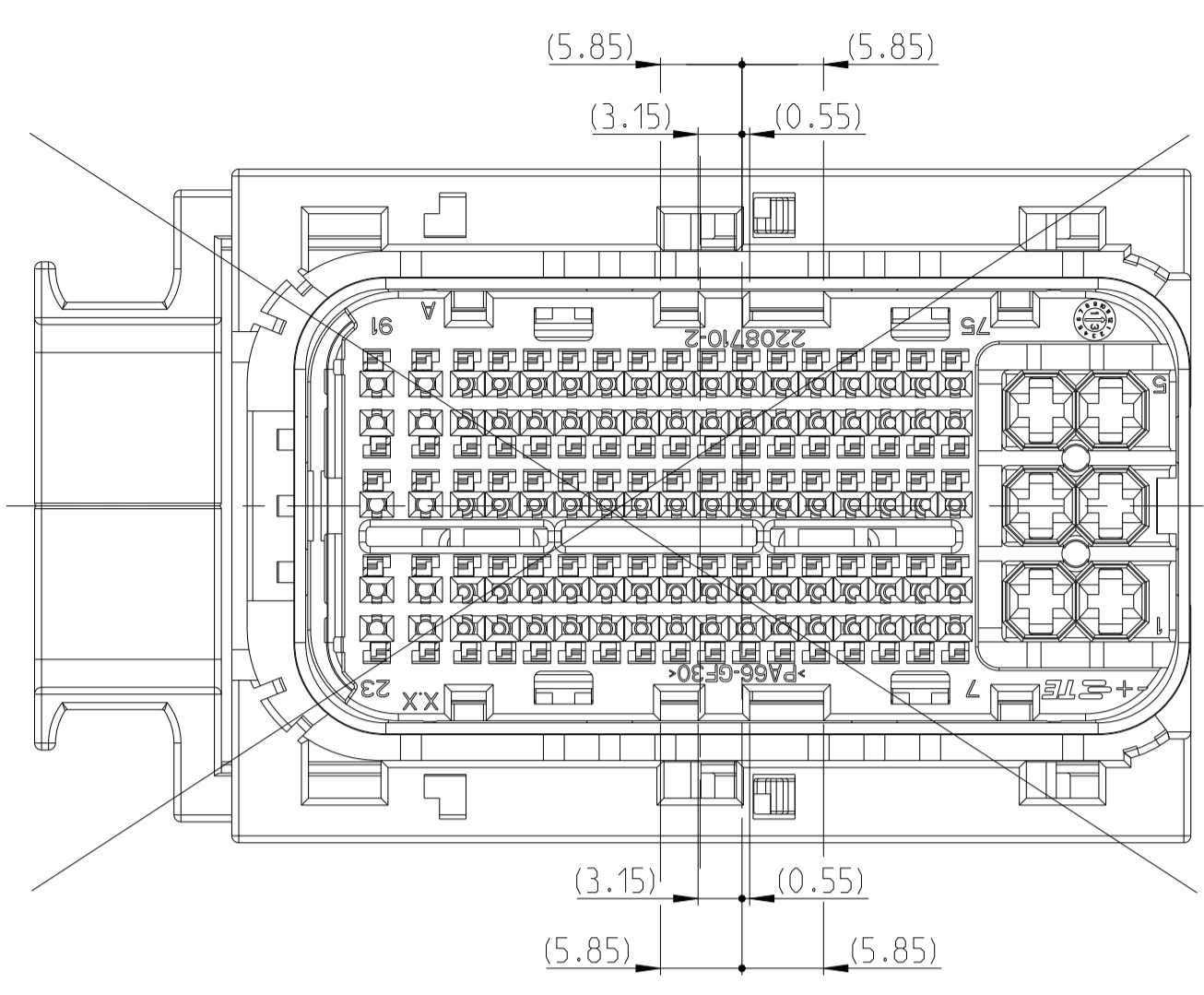


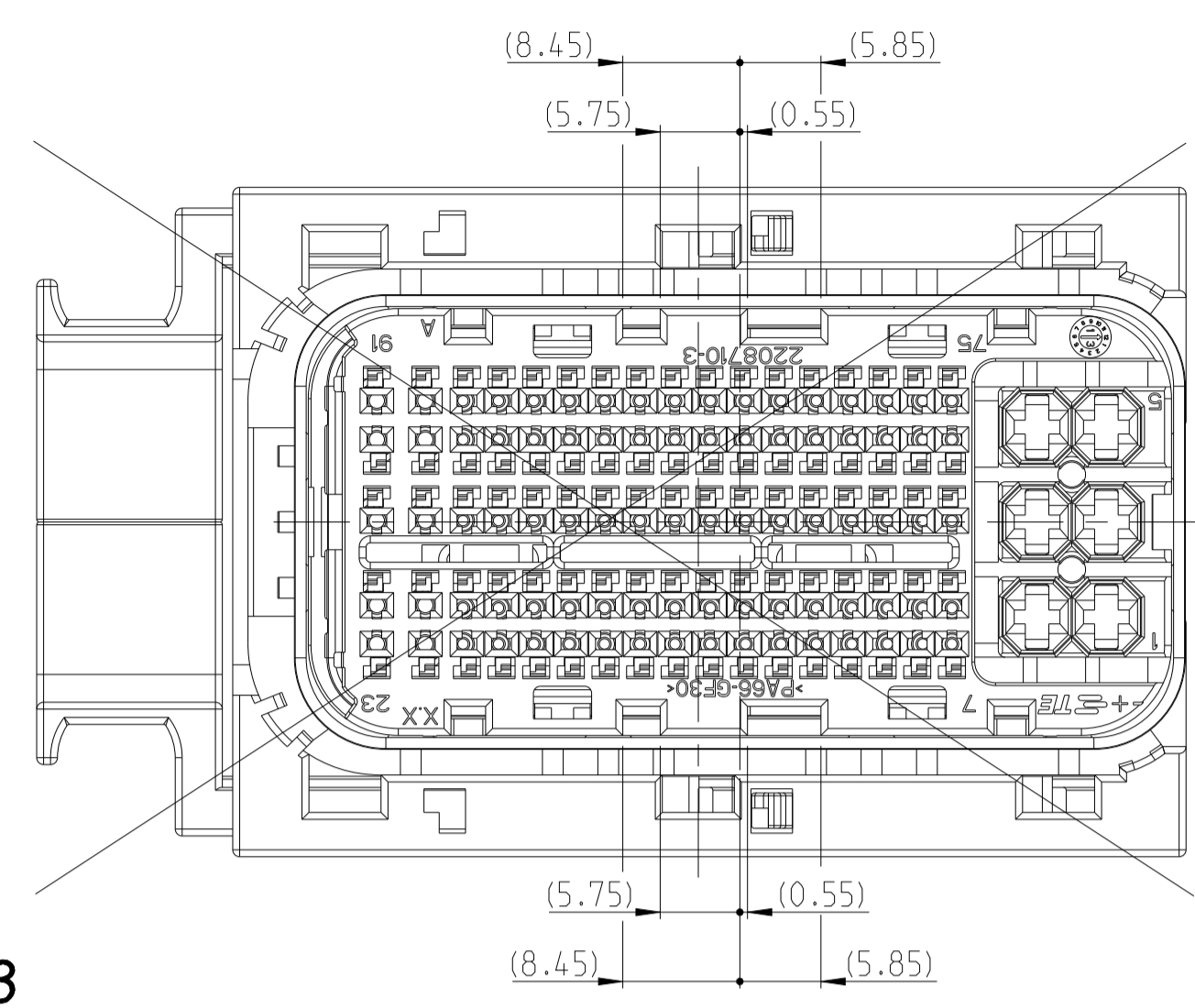


PROJKT NR.:		REVISIONS		
P	LTN	ÄNDERUNGEN	DATE	APVD
-	SEE SHEET 1	BESCHREIBUNG		

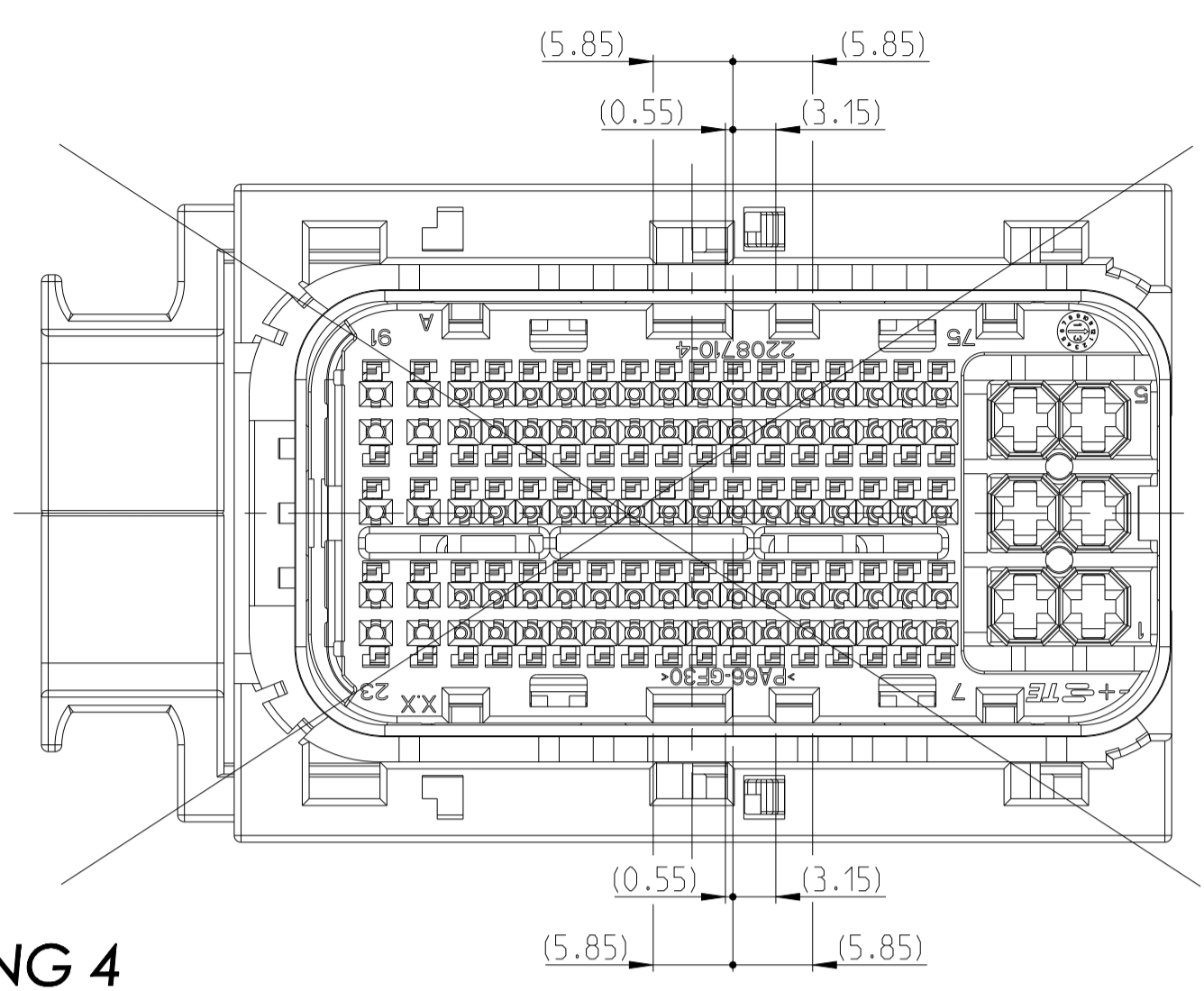
**CODINGS**  
 Kodierungen



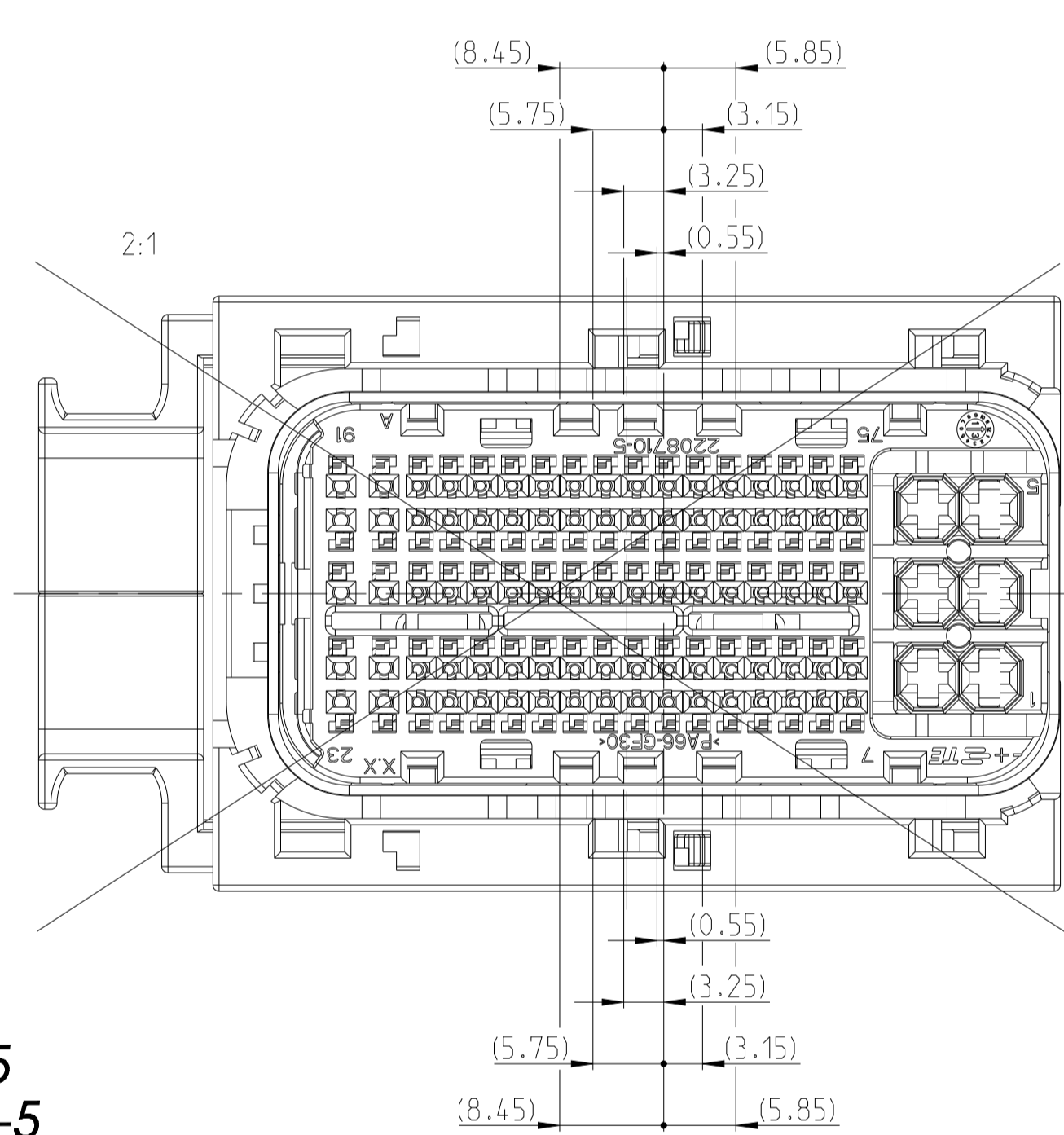
**CODING 2**  
 1-2208709-2



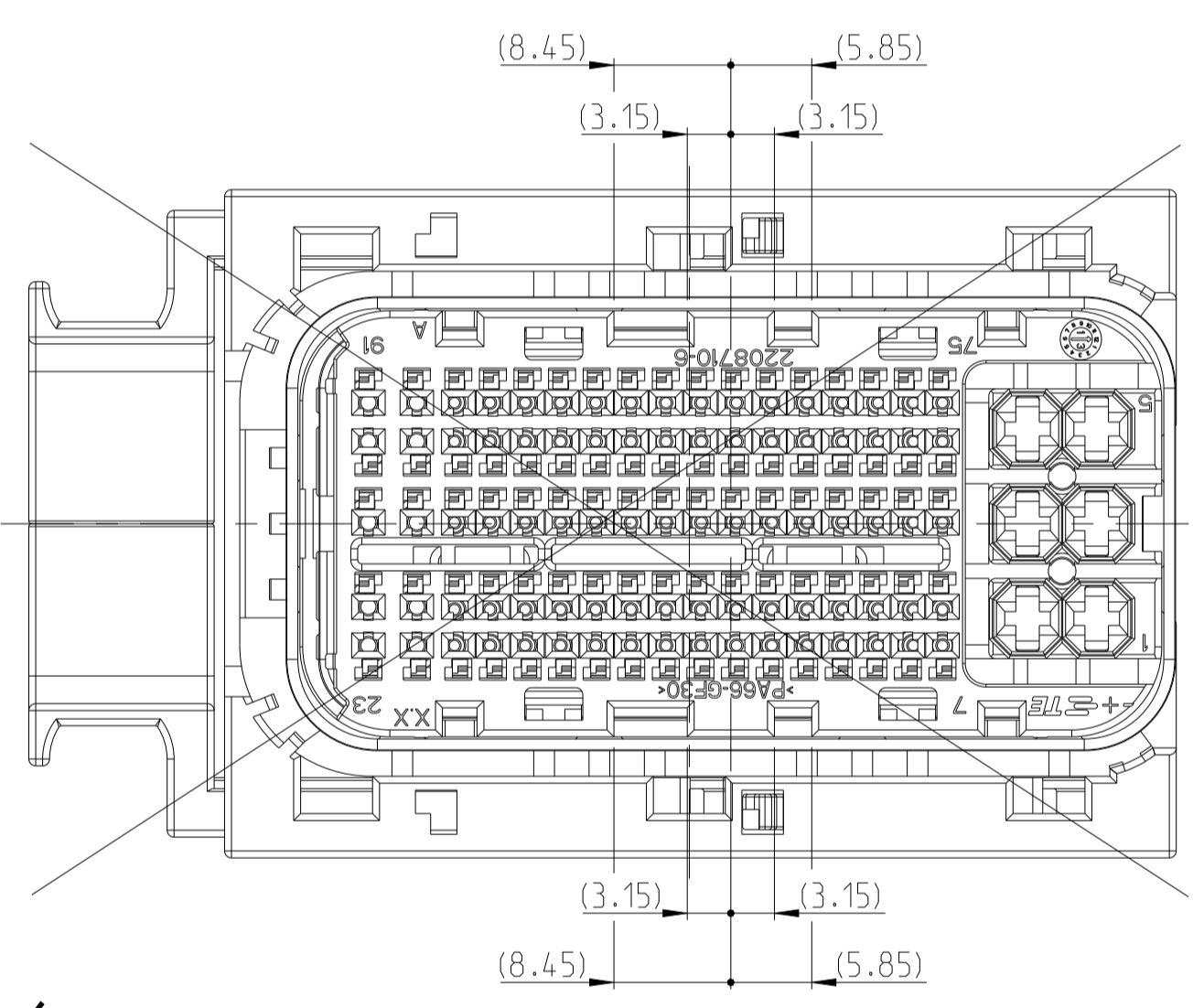
**CODING 3**  
 1-2208709-3



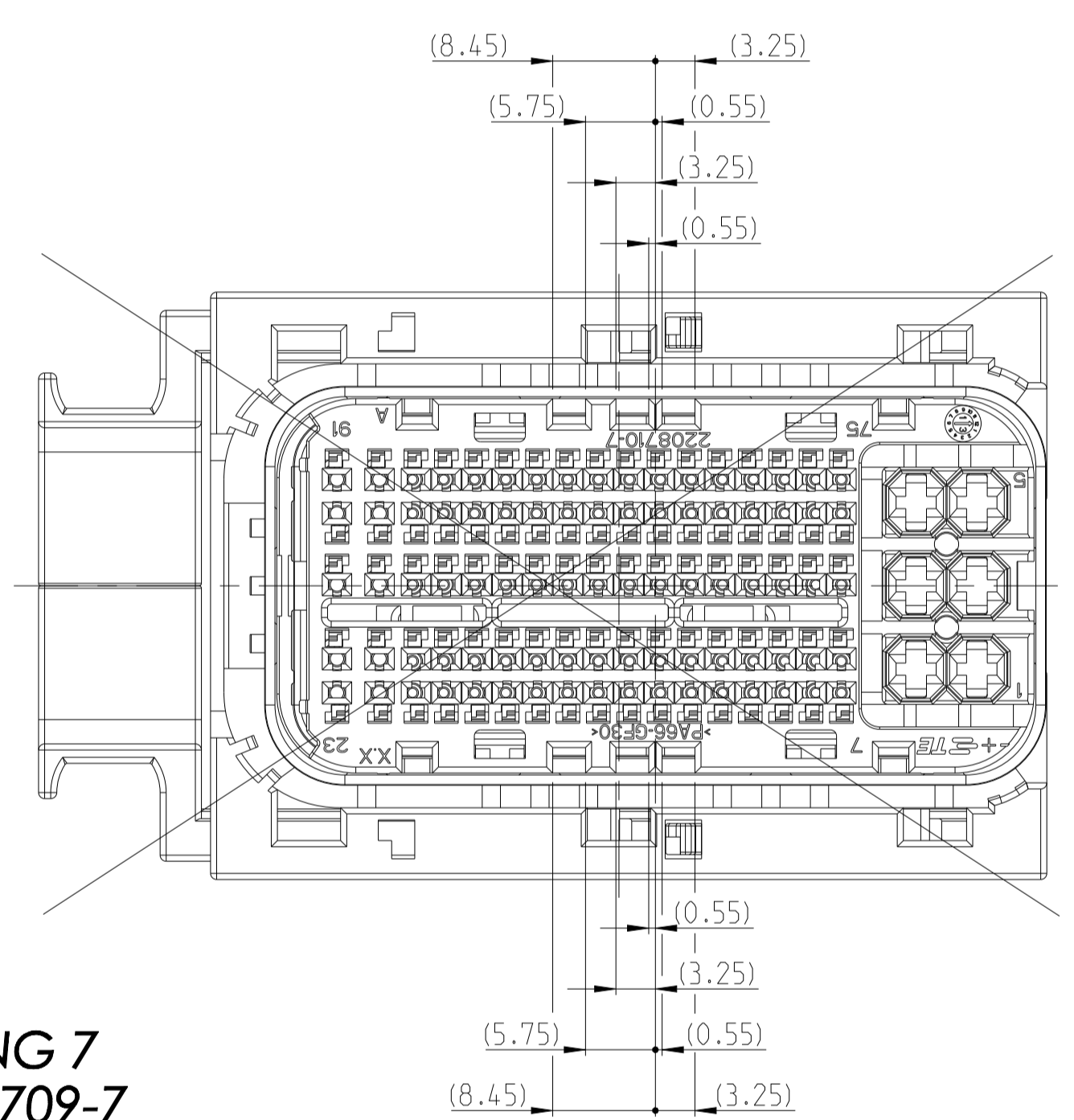
**CODING 4**  
 1-2208709-4



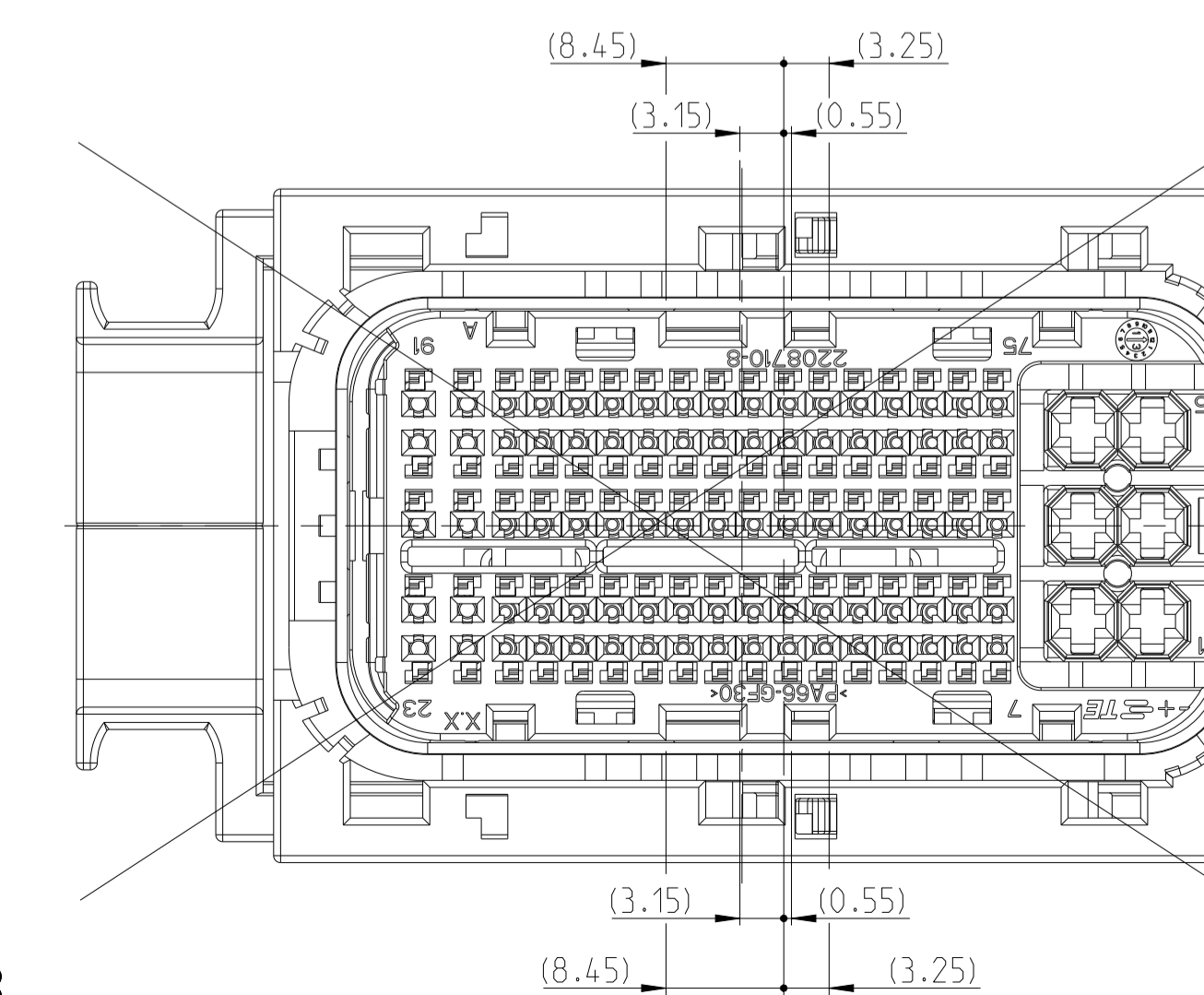
**CODING 5**  
 1-2208709-5



**CODING 6**  
 1-2208709-6



**CODING 7**  
 1-2208709-7



**CODING 8**  
 1-2208709-8

PRODUCT CHARACTERISTICS ACC. QMP EMEA_12 BESONDERE MERKMALE NACH QMP EMEA_12 TOLERANCES UNLESS OTHERWISE SPECIFIED ACC. TO DIN 16901-140@CENTRIC TO NOMINAL DIMENSION, EDITION 1982-11 SHALL APPLY. FREISETZTOLERANZEN NACH DIN 16901-140@Z. Es gilt die Ausgabe 1982-11. THIS DRAWING IS A CONTROLLED DOCUMENT. DIMENSIONING AND TOLERANCING PER GPS (ISO STANDARDS)		DWN: RAMESH.S 16SEP2013 CHK: M.ZAYC 03OCT2013 APVD: M.ZAYC 07OCT2013 NAME: GOP1.KT PRODUCT SPEC: MCON 1.2 CB, AMP MCP 2.8 APPLICATION SPEC: - VERARBEITUNGSSPEZ: - WEIGHT: - GEWICHT: - MATERIAL: SEE TABLE CUSTOMER DRAWING	SCALE: 2:1 SHEET: 2 OF 2 REV: C 1
--	--	--	---