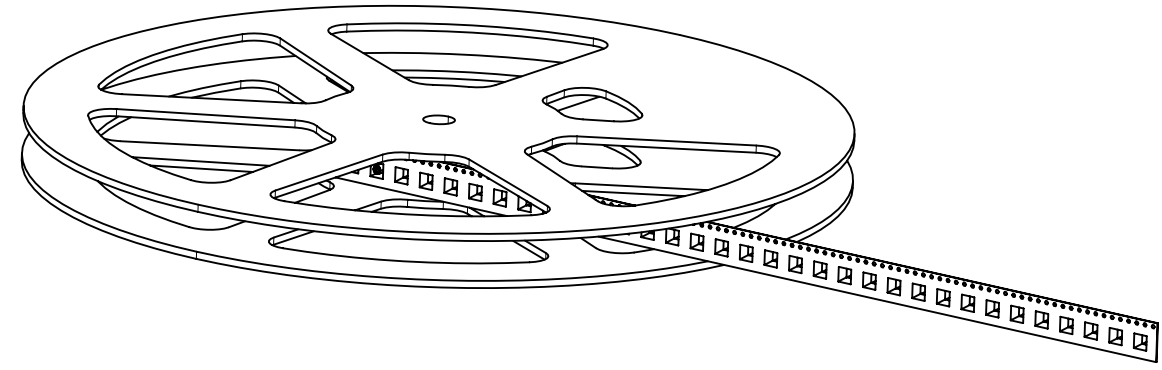
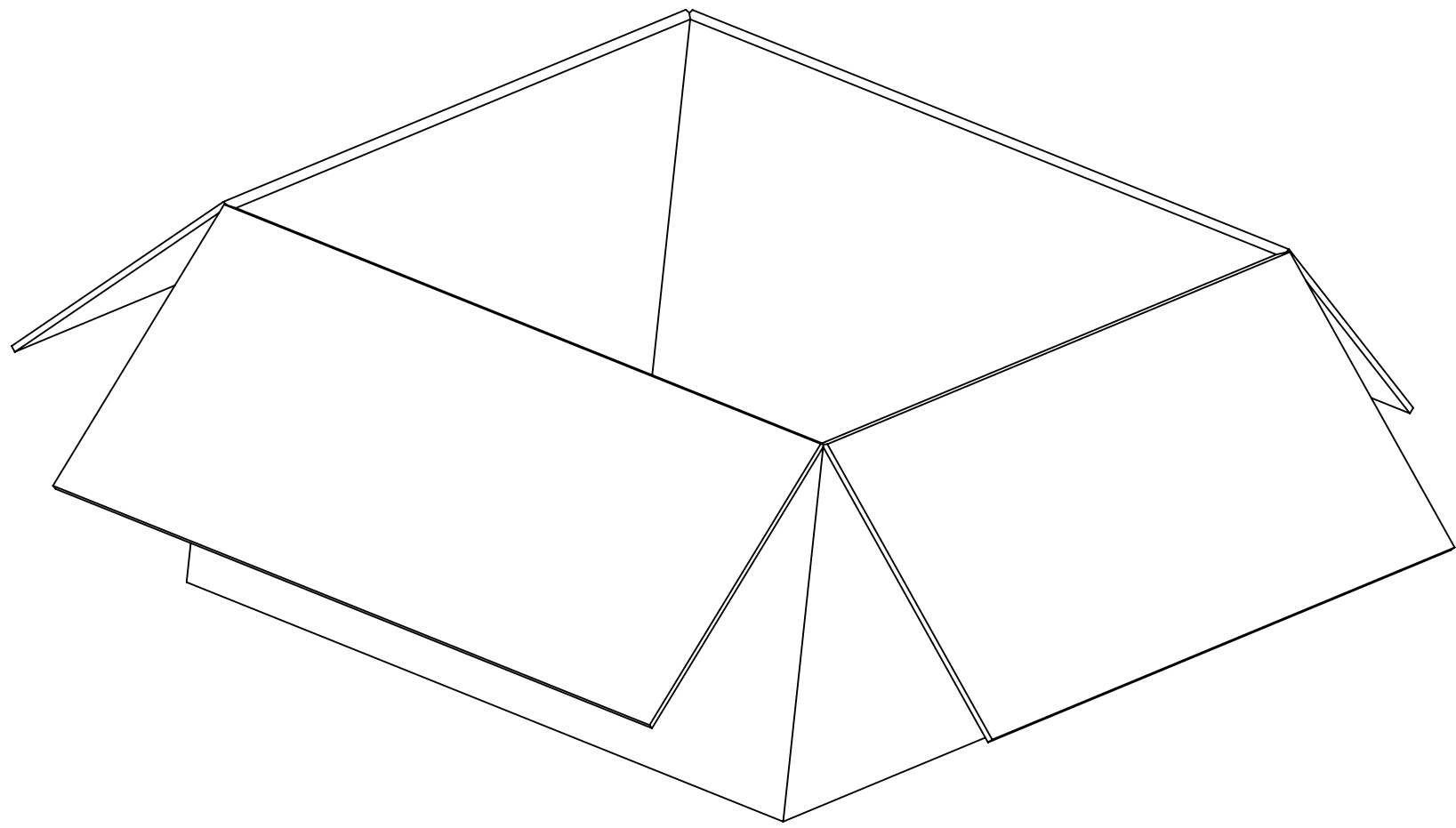


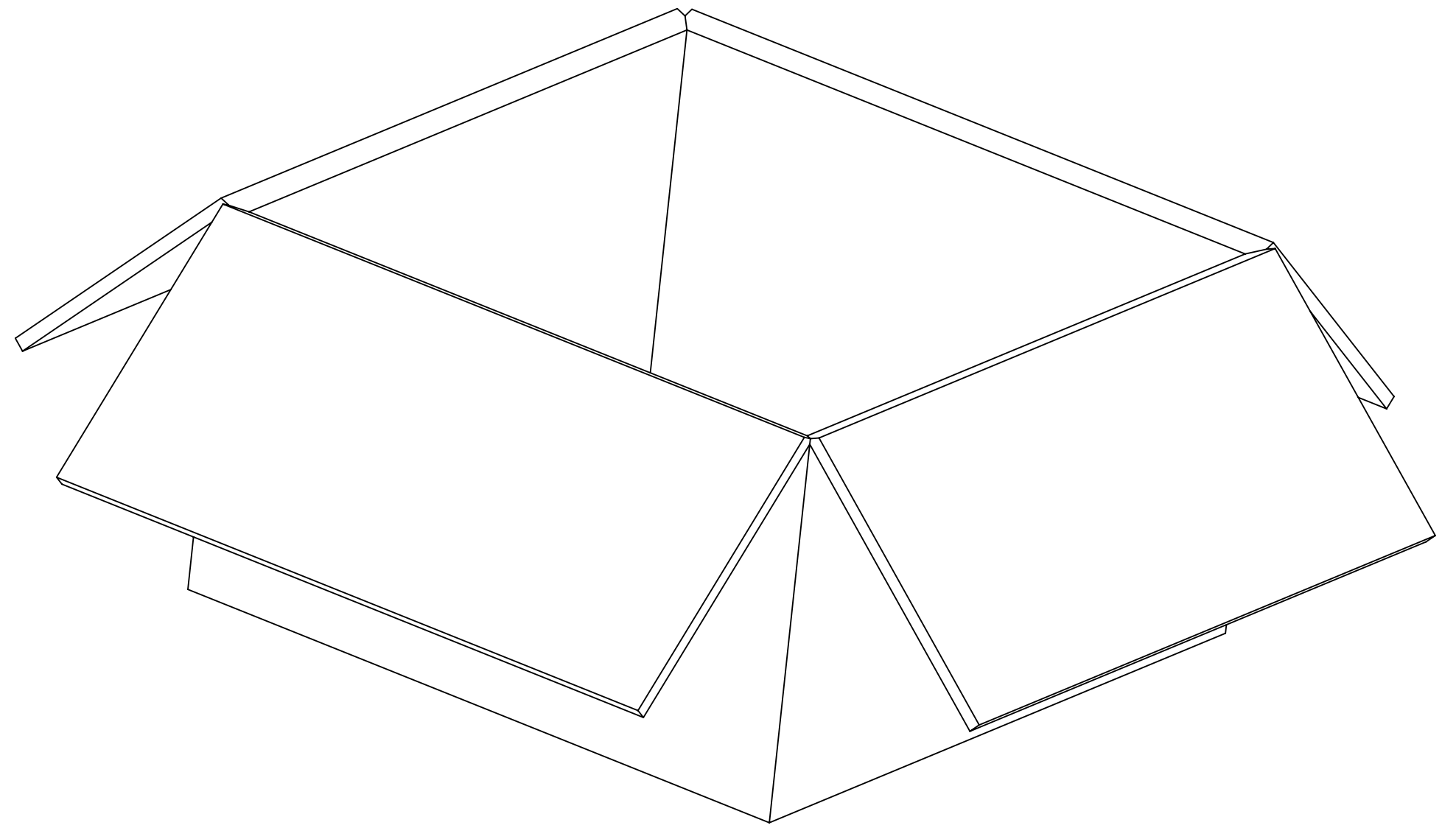
PART NO : XXXXX-XXXX



700 SETS PER TAPE & REEL
P/N: 89707-0254



4900 SETS PER OUTER CARTON BOX
P/N: 89499-9028



4900 SETS PER OUTER CARTON BOX
P/N: 96708-0005

FUNCTIONAL SYMBOLS $F_A = 0$ $F_C = 0$ $F_P = 0$ DIVISIONAL SYMBOLS 3 PLACES ± 2 PLACES ± 1 PLACE ± 0 PLACES ±	THIS DRAWING CONTAINS INFORMATION THAT IS PROPRIETARY TO MOLEX ELECTRONIC TECHNOLOGIES, LLC AND SHOULD NOT BE USED WITHOUT WRITTEN PERMISSION		
	DIMENSION UNITS	SCALE	CURRENT REV DESC: NEW RELEASE PER EWR07628-A
	MM	NTS	
	GENERAL TOLERANCES (UNLESS SPECIFIED)		
	ANGULAR TOL ± 0.5°		
DRAFT WHERE APPLICABLE MUST REMAIN WITHIN DIMENSIONS		THIRD ANGLE PROJECTION	DRAWING SERIES
			C-SIZE 89542
STATUS: Production		2025-05-02	molex PACKAGING SPECIFICATION (89707-0254) DU4900 PRODUCT CUSTOMER DRAWING
DRWN: JasonYS Su		2026-02-09	
CHK'D: Kerrie Chen		2026-02-09	
APPR: Ricky Yeh			DOCUMENT NUMBER
			895420440
			DOC TYPE
			PSD
			DOC PART
			000
			REVISION
			A
		MATERIAL NUMBER	CUSTOMER
		SHEET NUMBER	
			1 OF 1

MATERIALS AND FINISHES

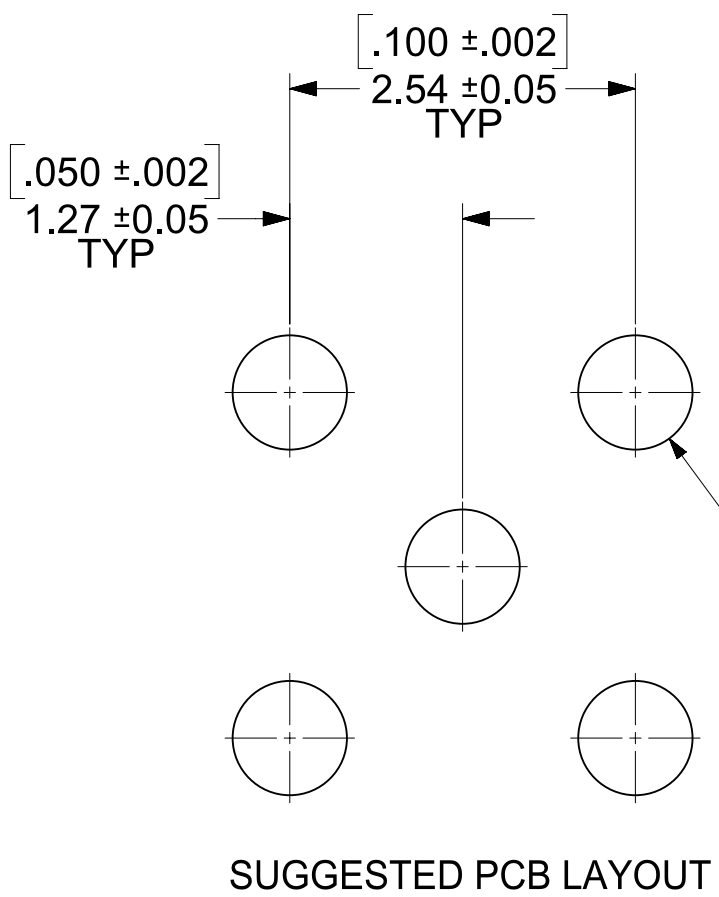
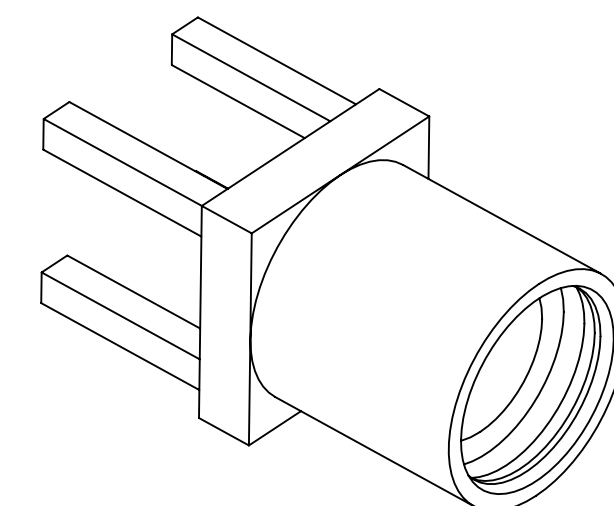
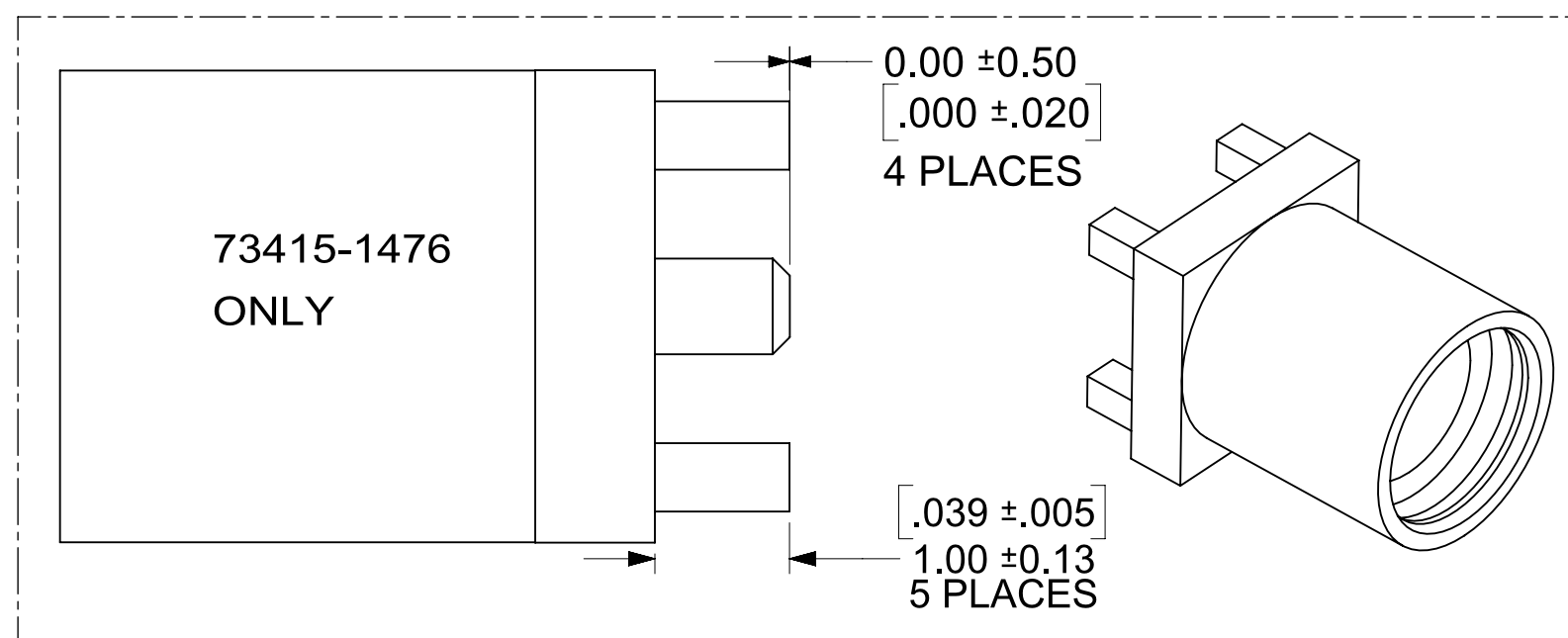
BODY SEE TABLE
PLATED SEE TABLE

CENTER CONTACT BERYLLIUM COPPER
PLATED SEE TABLE

INSULATOR TEFLON

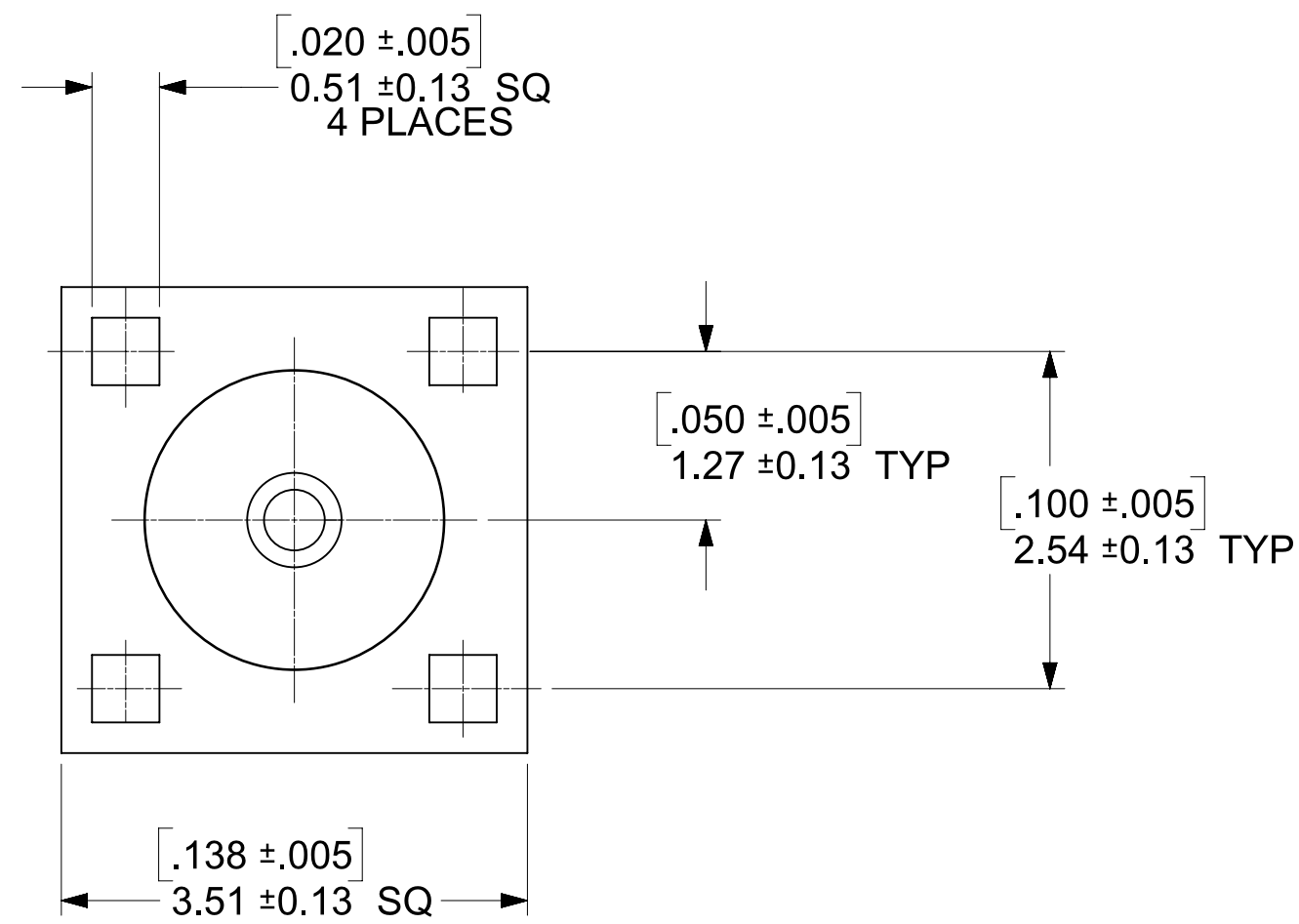
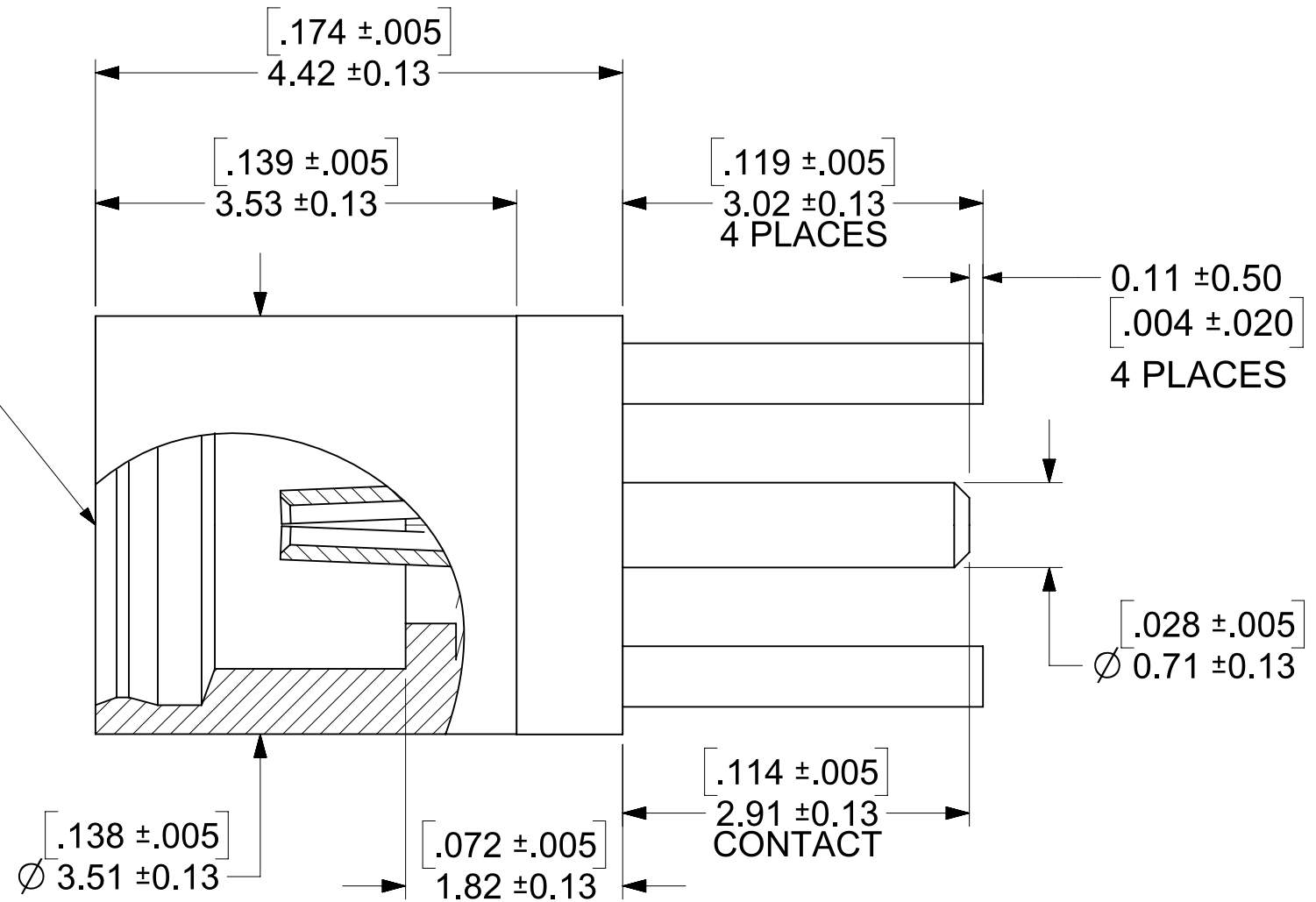
NOTE
PART # 73415-1473 IS

NON-MAGNETIC



MMCX JACK
INTERFACE

Ø 0.84 ± 0.05
.033 ± .002
5 PLACES



73414-0990	P/N 73415-1471 , TAPE AND REEL WITHOUT KAPTON TAPE (SEE 89542-0450 DRAWING)	3500	BRASS/GOLD 1u" (COMMERCIAL)	GOLD 30u"
73415-1477	TRAY (SEE 89542-0040 DRAWING)	3200	BRASS/GOLD 1u" (COMMERCIAL)	GOLD 1u"
73415-1476	TRAY (1.00 MM LEG LENGTHS) (SEE 89542-0040 DRAWING)	3200	BRASS/GOLD 1u" (COMMERCIAL)	GOLD 30u"
73415-1475	P/N 73415-1471 , TAPE AND REEL WITH KAPTON TAPE (SEE 89542-0440 DRAWING)	4900	BRASS/GOLD 1u" (COMMERCIAL)	GOLD 30u"
73415-1474	TRAY (SEE 89542-0040 DRAWING)	3200	BRASS/GOLD 1u" (COMMERCIAL)	GOLD 30u"
73415-1473	BAG (SEE 89542-0103 DRAWING)	4000	BeCu/GOLD 8u" (NON MAGNETIC)	GOLD 30u"
73415-1472	P/N 73415-1471, ONE PER BAG (SEE 89542-0510 DRAWING)	1000	BRASS/GOLD 1u" (COMMERCIAL)	GOLD 30u"
73415-1471	BAG (SEE 89542-0102 DRAWING)	4000	BRASS/GOLD 1u" (COMMERCIAL)	GOLD 30u"
73415-1470	BAG (SEE 89542-0102 DRAWING)	4000	BRASS/ GOLD 30u" (MILITARY)	GOLD 50u"
PART NO.	PACKAGING	DU	MATERIAL/PLATING (BODY)	PLATING (CENTER CONTACT)

CECC 22 340	INTERFACE
PS-89675-1920	ELECTRO/MECH PER.
SPECIFICATION	DESCRIPTION

THIS DRAWING CONTAINS INFORMATION THAT IS PROPRIETARY TO MOLEX ELECTRONIC TECHNOLOGIES, LLC AND SHOULD NOT BE USED WITHOUT WRITTEN PERMISSION

FUNCTIONAL SYMBOLS: FA=0, FC=0, FP=0

DIMENSION UNITS: MM/INCH, SCALE: NTS

GENERAL TOLERANCES (UNLESS SPECIFIED): ANGULAR TOL ± 2'

DIVISIONAL SYMBOLS: 4 PLACES ±, 3 PLACES ±, 2 PLACES ±, 1 PLACE ±, 0 PLACES ±

DRAFT WHERE APPLICABLE MUST REMAIN WITHIN DIMENSIONS

THIRD ANGLE PROJECTION

DRAWING: C-SIZE

SERIES: 73415

STATUS: Production
DRWN: Evita Lin
CHK'D: Kerrie Chen
APPR: Ricky Yeh

2026-02-26
2026-03-06
2026-03-06

PRODUCT CUSTOMER DRAWING

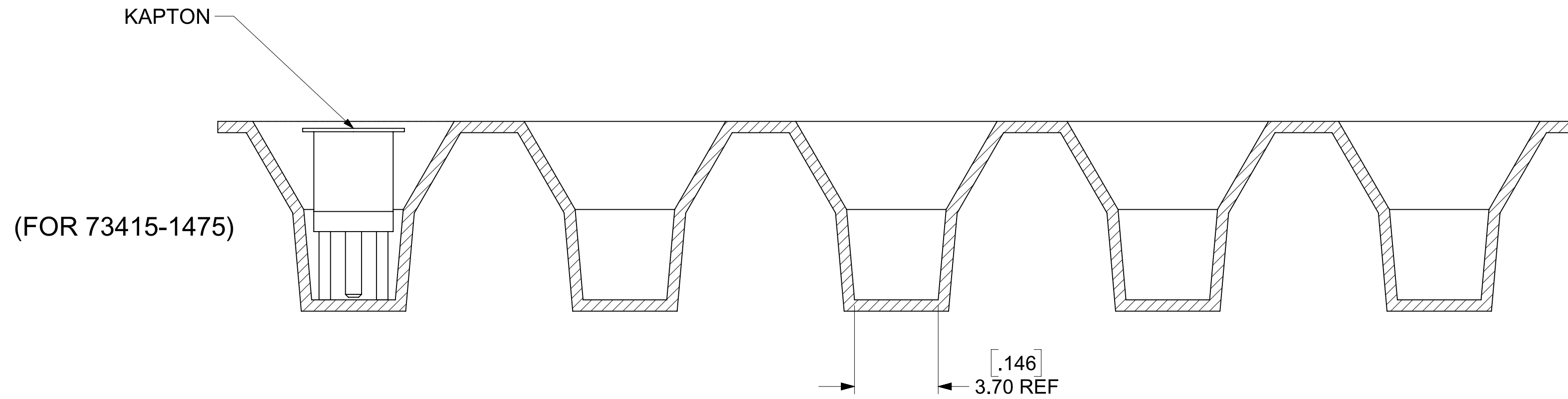
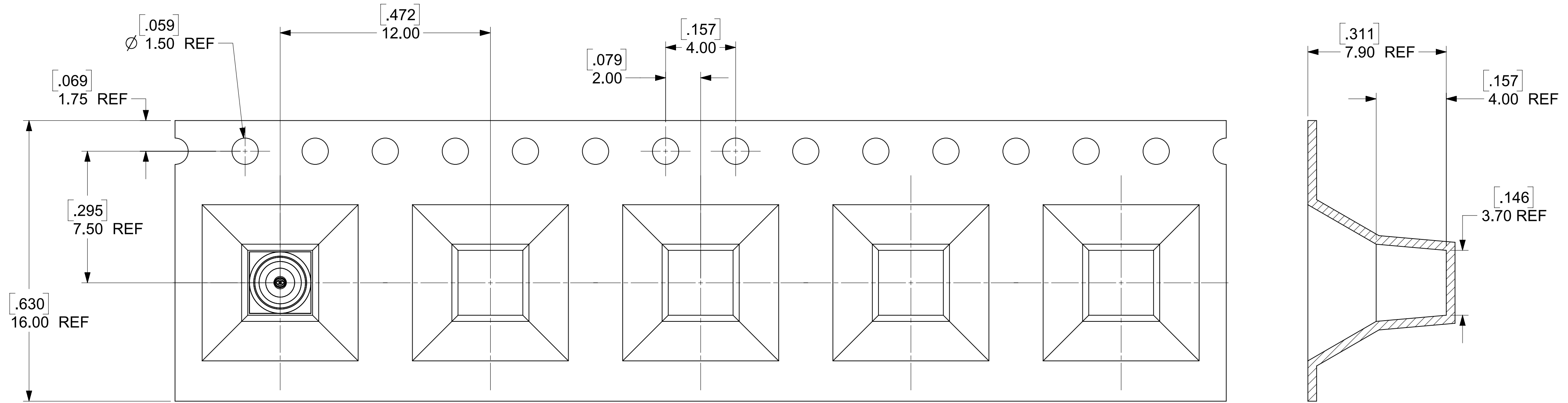
DOCUMENT NUMBER: SD-73415-147

DOC TYPE: PSD, DOC PART: 001, REVISION: D

MATERIAL NUMBER: SEE TABLE, CUSTOMER: GENERAL MARKET, SHEET NUMBER: 1 OF 3

ORIGINAL DRAWN BY TEF 2000/01/14

NOTE
DIMENSIONS ARE PROVIDED FOR REFERENCE ONLY



FUNCTIONAL SYMBOLS $F_A = 0$ $F_C = 0$ $F_P = 0$ DIVISIONAL SYMBOLS	THIS DRAWING CONTAINS INFORMATION THAT IS PROPRIETARY TO MOLEX ELECTRONIC TECHNOLOGIES, LLC AND SHOULD NOT BE USED WITHOUT WRITTEN PERMISSION		CURRENT REV DESC: CHANGE 73415-1473 BODY PLATING GOLD 8u" WAS GOLD 10u" PER EWR-17671		
	DIMENSION UNITS	SCALE	molex MMCX JACK, PCB MOUNT 50 OHMS MMCX-J/PCB PRODUCT CUSTOMER DRAWING		
	MM/INCH	NTS			
	GENERAL TOLERANCES (UNLESS SPECIFIED)				
ANGULAR TOL $\pm 2^\circ$		STATUS: Production			
4 PLACES \pm		DRWN: Evita Lin			
3 PLACES \pm		CHK'D: Kerrie Chen			
2 PLACES \pm		APPR: Ricky Yeh			
1 PLACE \pm		2026-02-26			
0 PLACES \pm		2026-03-06			
DRAFT WHERE APPLICABLE MUST REMAIN WITHIN DIMENSIONS		THIRD ANGLE PROJECTION	DRAWING	SERIES	DOCUMENT NUMBER
			C-SIZE	73415	SD-73415-147
					DOC TYPE
					PSD
					DOC PART
					001
					REVISION
					D
					SHEET NUMBER
					2 OF 3

13" REEL SIZE

$12.993 \pm .020$
 $\varnothing 330.02 \pm 0.51$

$.647$
 16.43 MIN

$.502$
 $\varnothing 12.75$ REF

250 MM EMPTY MIN


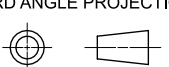
250 MM EMPTY MIN

ORDER QUANTITY PACKED

230.00 MIN

LABEL

- ORDER NO.
- QUANTITY
- PART NO.
- LOT NO.

FUNCTIONAL SYMBOLS $F_A = 0$ $F_C = 0$ $F_P = 0$ DIVISIONAL SYMBOLS 3 PLACES \pm 2 PLACES \pm 1 PLACE \pm 0 PLACES \pm	THIS DRAWING CONTAINS INFORMATION THAT IS PROPRIETARY TO MOLEX ELECTRONIC TECHNOLOGIES, LLC AND SHOULD NOT BE USED WITHOUT WRITTEN PERMISSION		CURRENT REV DESC: CHANGE 73415-1473 BODY PLATING GOLD 8u" WAS GOLD 10u" PER EWR-17671					
	DIMENSION UNITS	SCALE	 MMCX JACK, PCB MOUNT 50 OHMS MMCX-J/PCB PRODUCT CUSTOMER DRAWING					
	MM/INCH	NTS						
	GENERAL TOLERANCES (UNLESS SPECIFIED)							
ANGULAR TOL $\pm 2^\circ$		STATUS: Production DRWN: Evita Lin CHK'D: Kerrie Chen APPR: Ricky Yeh						
DRAFT WHERE APPLICABLE MUST REMAIN WITHIN DIMENSIONS		THIRD ANGLE PROJECTION	DRAWING	SERIES	DOCUMENT NUMBER	DOC TYPE	DOC PART	REVISION
			C-SIZE	73415	SD-73415-147	PSD	001	D
					2026-02-26			
					2026-03-06			
					2026-03-06			
					SEE TABLE	GENERAL MARKET		3 OF 3