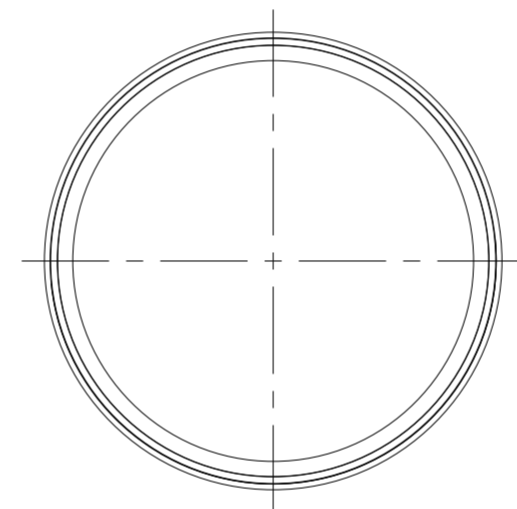
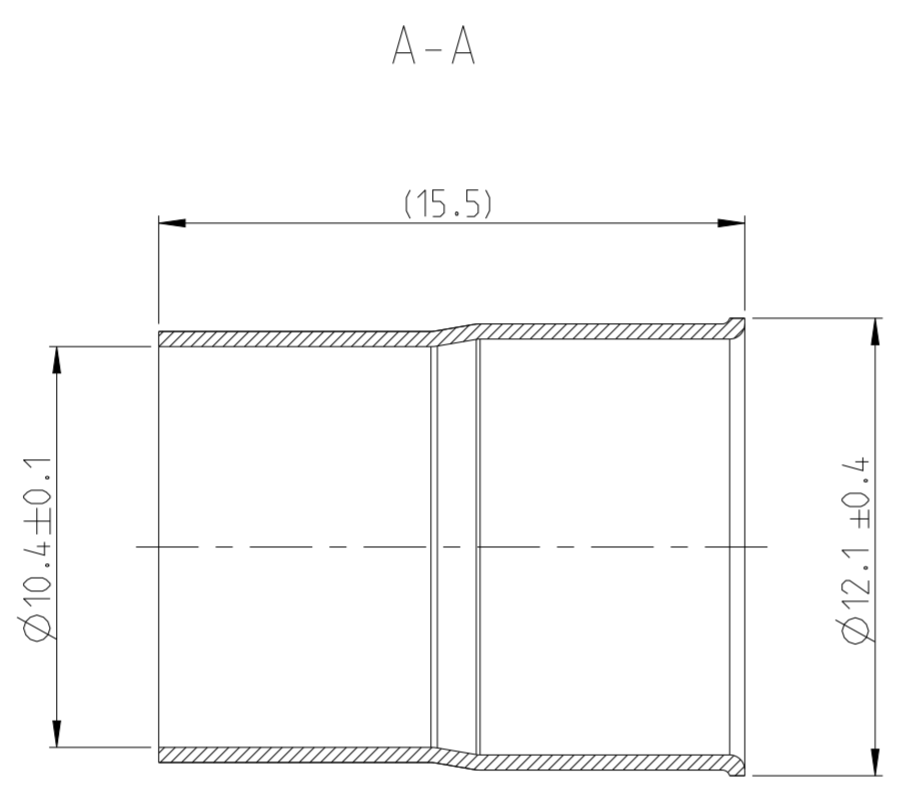
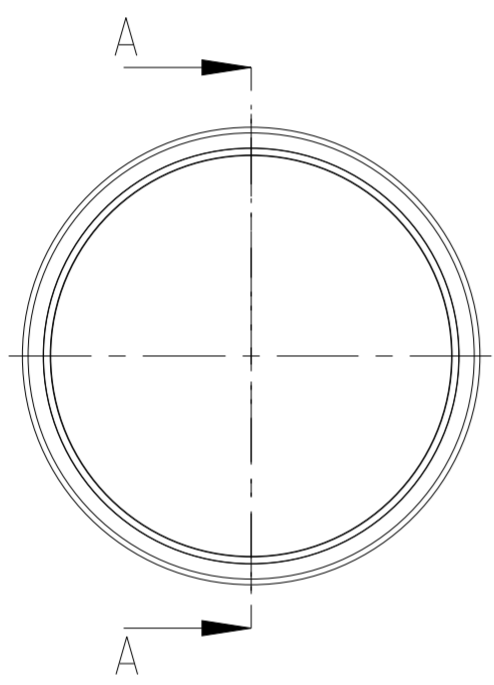


P	LTR	DESCRIPTION	DATE	DWN	APVD
A		NEW DRAWING	12JUN2019	GP	HR
B		ECN-25-319033	07MAR2025	RG	JJH

1:1



-1 AS SHOWN wie gezeichnet



1 PACKAGING: BULK PACKAGING INTO PLASTIC BAG AND CORRUGATED SHIPPING BOX PN: 973058-3
Verpackung: Schuetftgut in Beutel und Versandkarton PN: 973058-3

TE PART NO. Teile-Nr.	REV	DESCRIPTION Benennung
2310222-1	B	OUTER FERRULE Crimphuelse

THIS DRAWING IS A CONTROLLED DOCUMENT.		DWN G.PUCKEL 12JUN2019	TE Connectivity													
DIMENSIONS: mm		CHK H.RIPPER 13JUN2019														
TOLERANCES UNLESS OTHERWISE SPECIFIED:		APVD Z.STJEPANOVIC 13JUN2019	NAME OUTER FERRULE PCON12 PLUG 2P													
<table border="1"> <tr><td>0-PLC</td><td>±</td></tr> <tr><td>1-PLC</td><td>±</td></tr> <tr><td>2-PLC</td><td>±</td></tr> <tr><td>3-PLC</td><td>±</td></tr> <tr><td>4-PLC</td><td>±</td></tr> <tr><td>ANGLES</td><td>±°</td></tr> </table>		0-PLC	±	1-PLC	±	2-PLC	±	3-PLC	±	4-PLC	±	ANGLES	±°	PRODUCT SPEC 108-94749	RESTRICTED TO	
0-PLC	±															
1-PLC	±															
2-PLC	±															
3-PLC	±															
4-PLC	±															
ANGLES	±°															
MATERIAL C19400 ANNEALED TEC-100-265		APPLICATION SPEC 114-94518	SIZE A2	CAGE CODE 00779												
FINISH B BARE blank		WEIGHT -	DRAWING NO C-2310222	SCALE 5:1												
		CUSTOMER DRAWING	SHEET 1 OF 1	REV B												