

FINISH TYPE	"0" TIN	"1" 15MICROINCH GOLD	"2" 30MICROINCH GOLD				
CKT	HDR ASSY PN	HDR ASSY PN	HDR ASSY PN	A	B	C	D
2	2182160220	2182160221	2182160222	7.16	NA	2.95	11.20
4	2182160420	2182160421	2182160422	10.16	3.00	2.95	14.20
6	2182160620	2182160621	2182160622	13.16	6.00	2.95	17.20
8	2182160820	2182160821	2182160822	16.16	9.00	7.70	20.20

LEGEND

218216 - * * * *

SERIES NO. _____

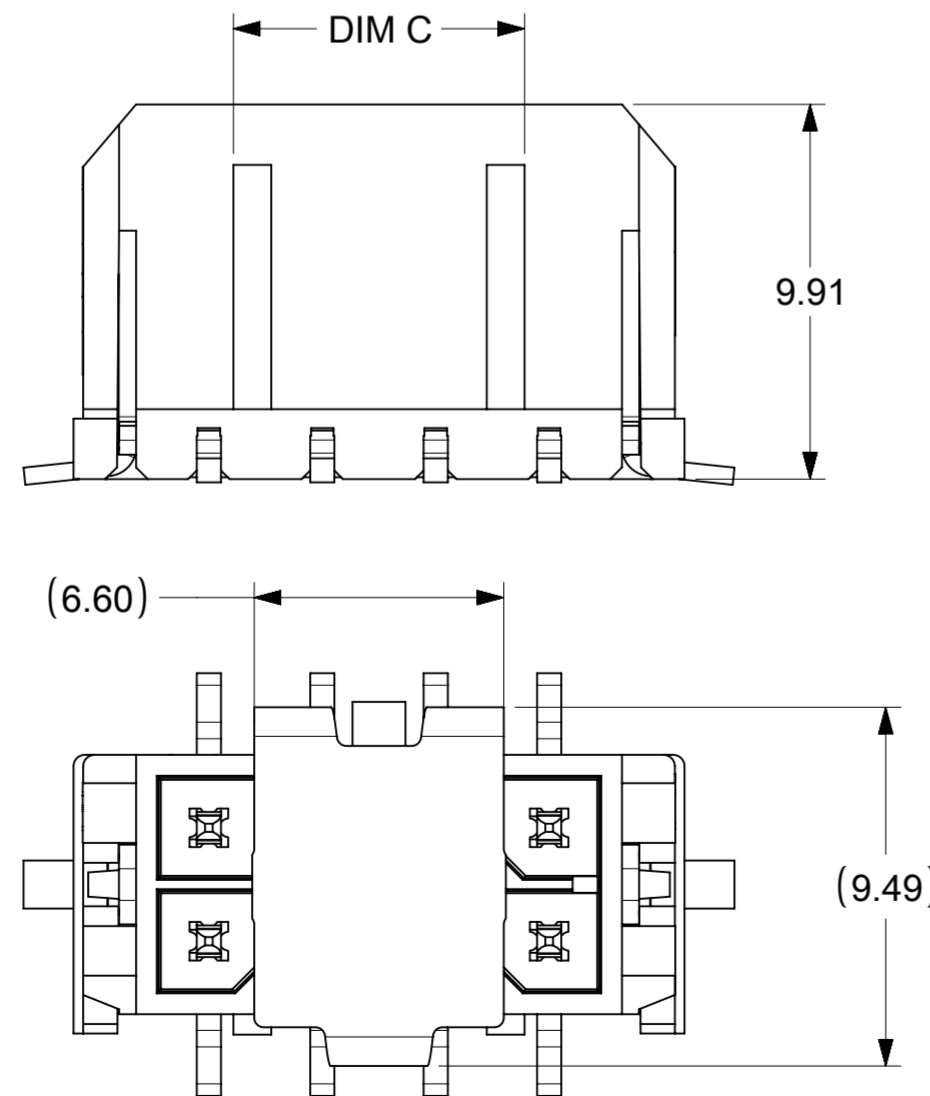
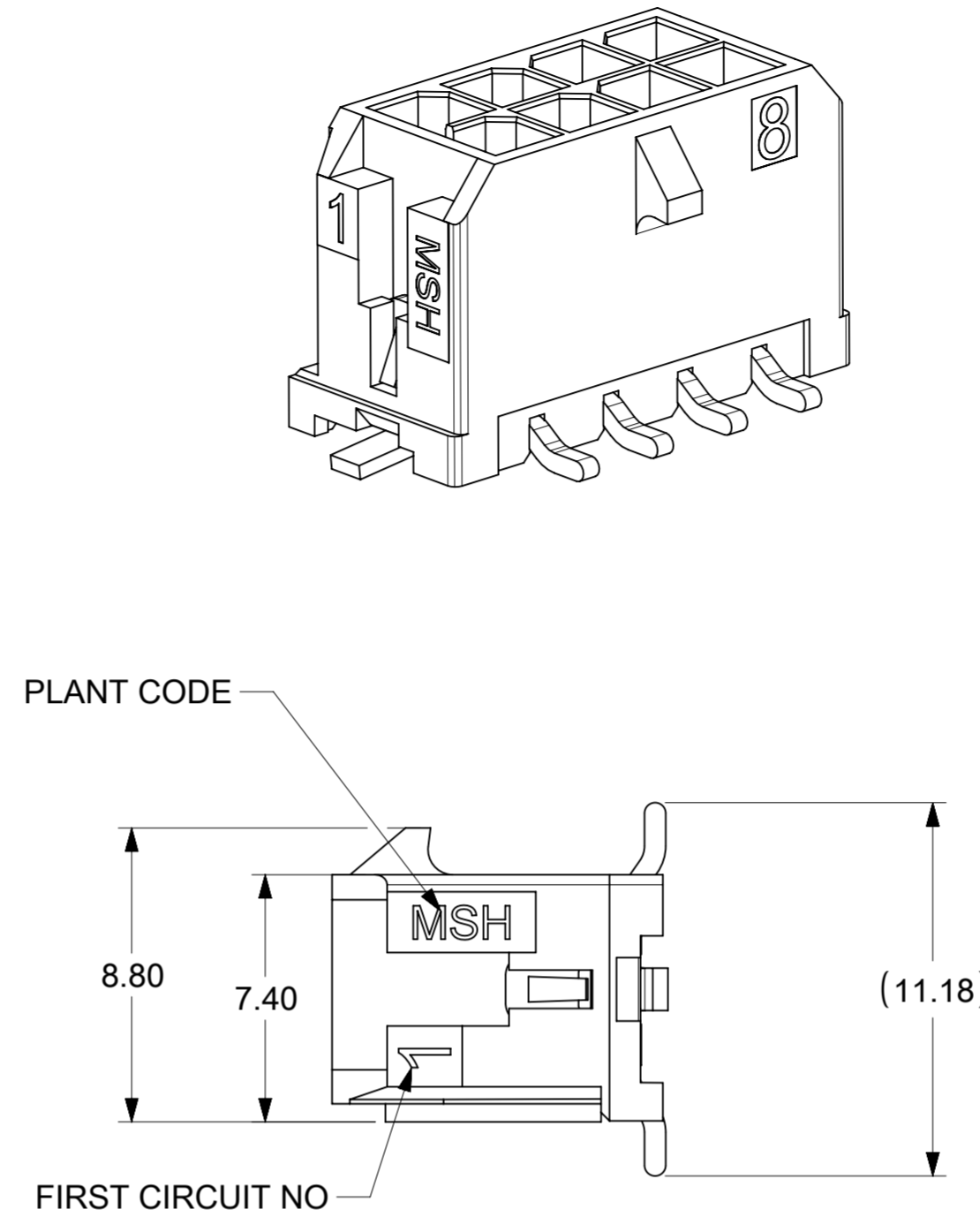
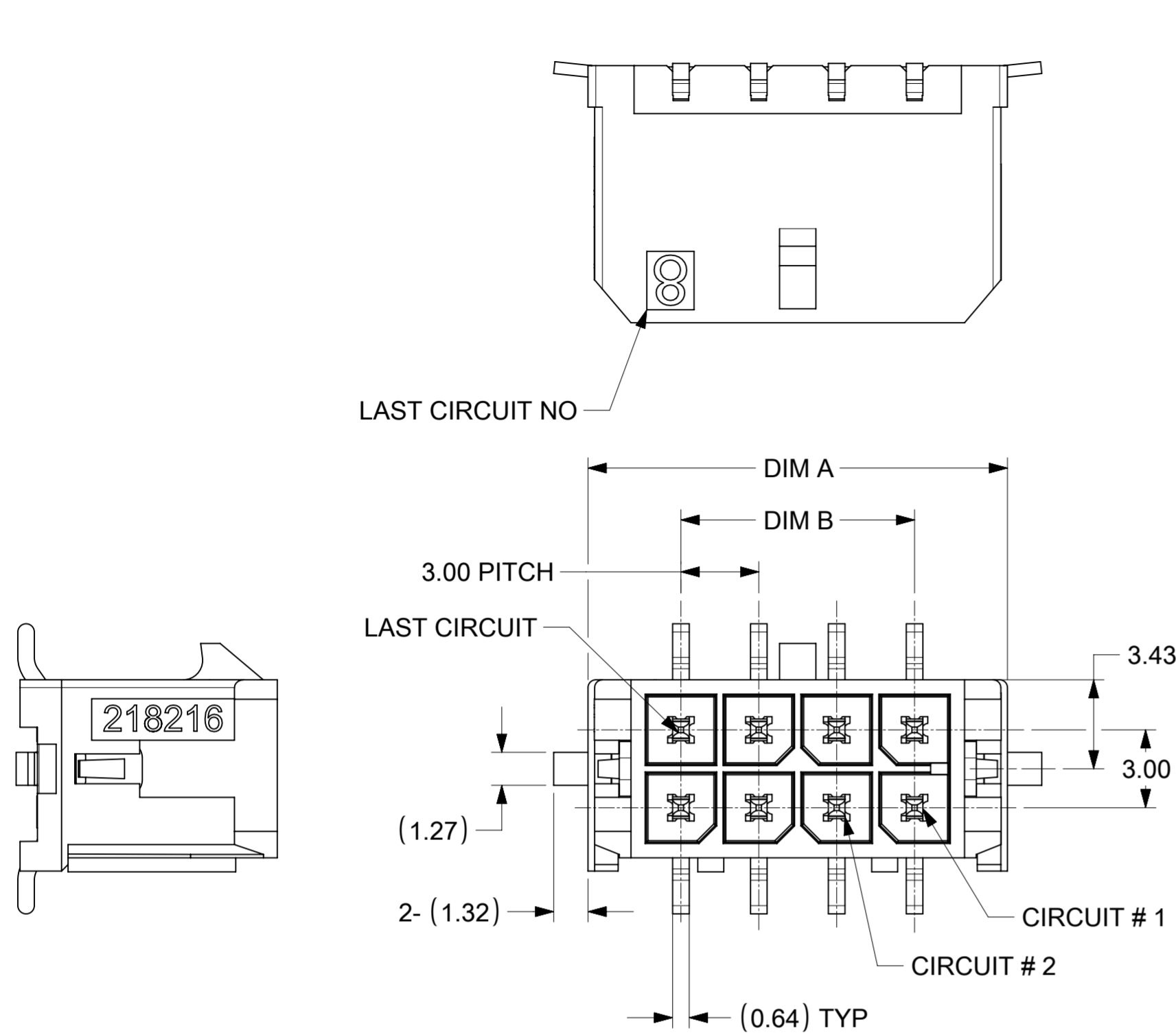
CKT NO. _____

OPTION

- 0: RIGHT ANGLE WITH NAIL
- 1: RIGHT ANGLE WITH CLIP
- 2: VERTICAL WITH NAIL
- 3: VERTICAL WITH CLIP

PLATING OPTION

- 0: TIN
- 1: 15MICROINCH AU
- 2: 30MICROINCH AU



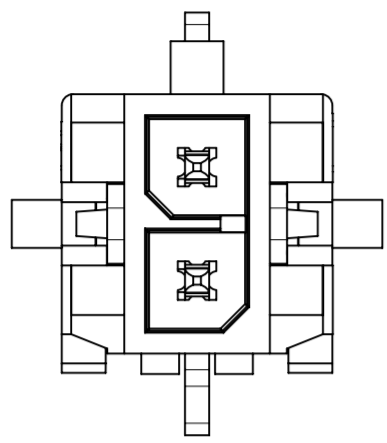
SHOWN WITH DISPOSABLE CAP (43555-000*)
SEE NOTE 5

NOTES:

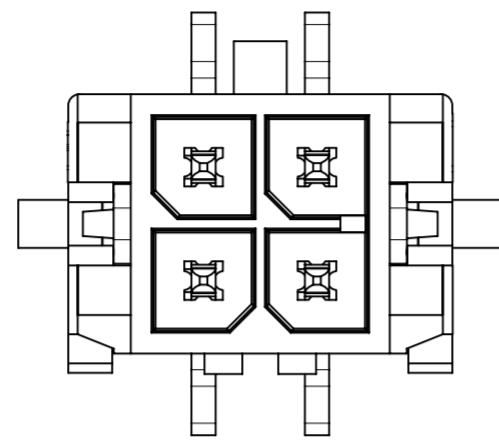
1. HOISING MATERIAL: GLASS FILLED LIQUID CRYSTAL POLYMER, UL 94V-0, COLOR: BLACK
TERMINAL MATERIAL: HIGH COPPER ALLOY
2. FINISH:
OPTION "0": REFLOW MATTE TIN OVER NICKEL
OPTION "1": SELECT 15MICROINCH GOLD AND SELECT MATTE TIN OVER NICKEL.
OPTION "2": SELECT 30MICROINCH GOLD AND SELECT MATTE TIN OVER NICKEL.
3. PRODUCT SPECIFICATION : 2064600000-PS
4. PRODUCT TEST SUMMARY: 2064600000-TS
5. T&R PACK : 2182160001-PK
6. MATE WITH RECEPTACLE 206461
7. THE COPLANARITY DIMENSION IS ESTABLISHED BY PLACING THE ASSEMBLY ON A FLAT SURFACE. THE DISTANCE FROM THAT SURFACE TO THE BOTTOM OF ANY TERMINAL OR NAIL MUST NOT EXCEED 0.15
8. THIS PART CONFORMS TO CLASS 'B' REQUIREMENTS OF COSMETIC SPECIFICATION PS-45499-002.

0.15 MAX
SEE NOTE 7

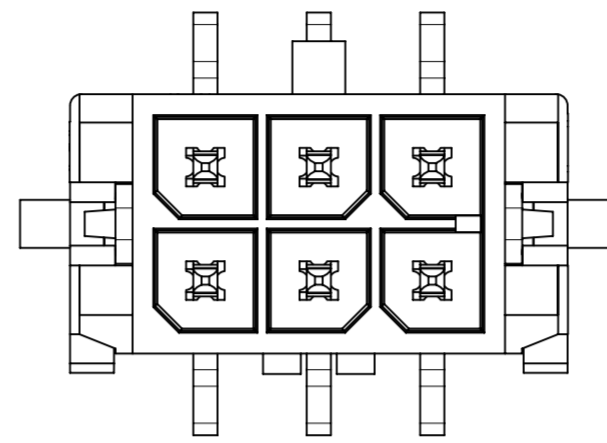
THIS DRAWING CONTAINS INFORMATION THAT IS PROPRIETARY TO MOLEX ELECTRONIC TECHNOLOGIES, LLC AND SHOULD NOT BE USED WITHOUT WRITTEN PERMISSION									
DIMENSION UNITS	SCALE	CURRENT REV DESC:							
mm	NTS	<p style="text-align: center;">molex</p> <p style="text-align: center;">MICRO-FIT PLUS DUAL ROW VERTICAL HEADER SMT HEADER WITH NAIL</p> <p style="text-align: center;">PRODUCT CUSTOMER DRAWING</p>							
GENERAL TOLERANCES (UNLESS SPECIFIED)									
ANGULAR TOL	± 3.0°	EC NO: 834974							
4 PLACES	±	DRWN: ZIXUAQ	2023/01/04						
3 PLACES	±	CHK'D: XQZHANG	2026/01/14						
2 PLACES	± 0.25	APPR: XQZHANG	2026/01/14						
1 PLACE	± 0.36	INITIAL REVISION:							
0 PLACES	±	DRWN: ALUO02	2021/04/21						
		APPR: XQZHANG	2022/10/17						
DRAFT WHERE APPLICABLE MUST REMAIN WITHIN DIMENSIONS	THIRD ANGLE PROJECTION	DRAWING	SERIES	MATERIAL NUMBER	CUSTOMER	DOC TYPE	DOC PART	REVISION	SHEET NUMBER
		A2-SIZE	218216	SEE TABLE	GENERAL MARKET	PSD	000	A1	1 OF 2



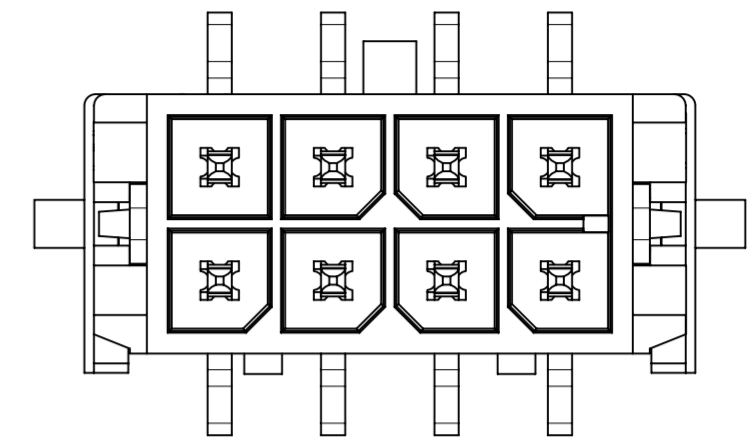
2CKT



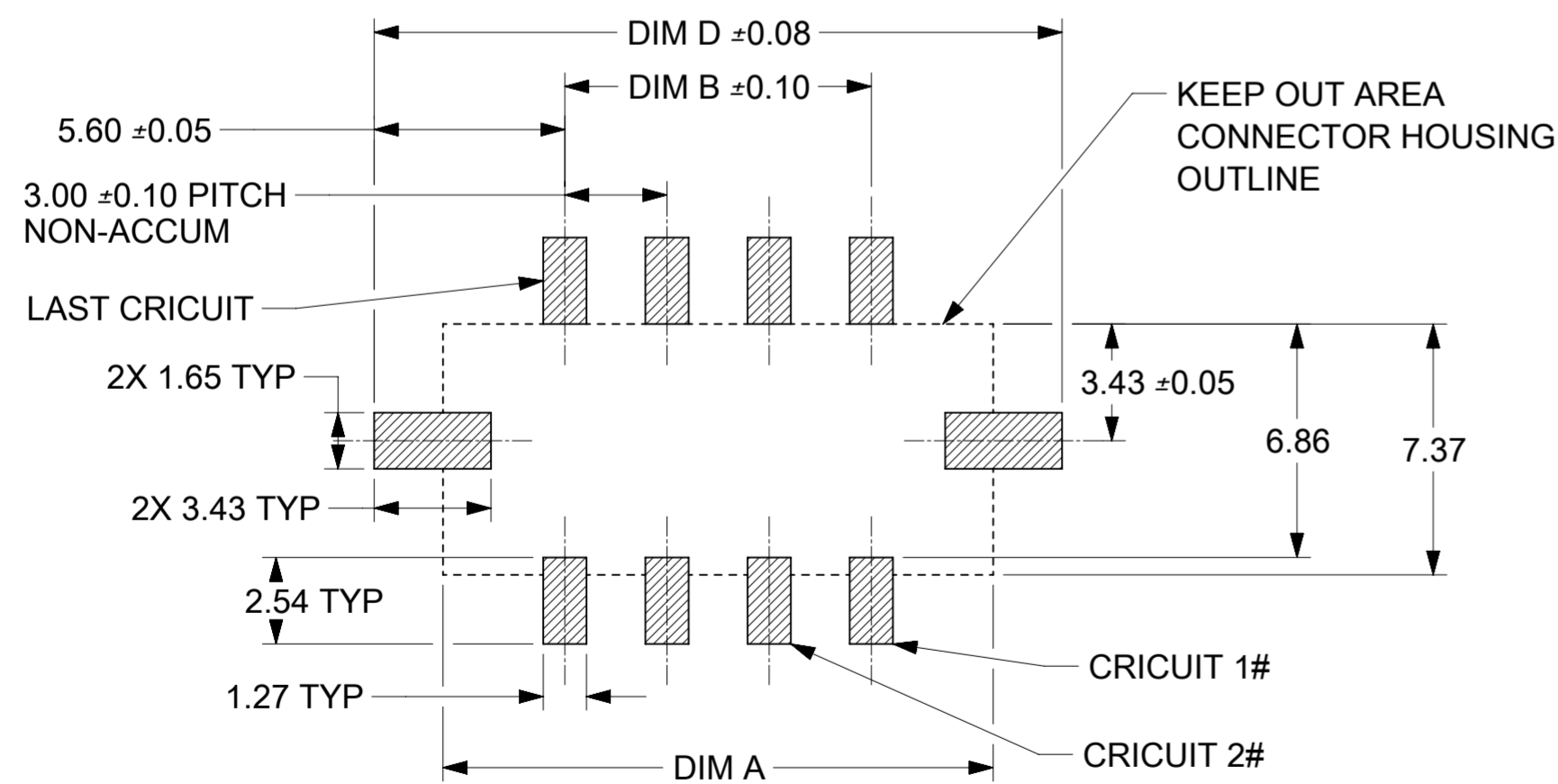
4CKT



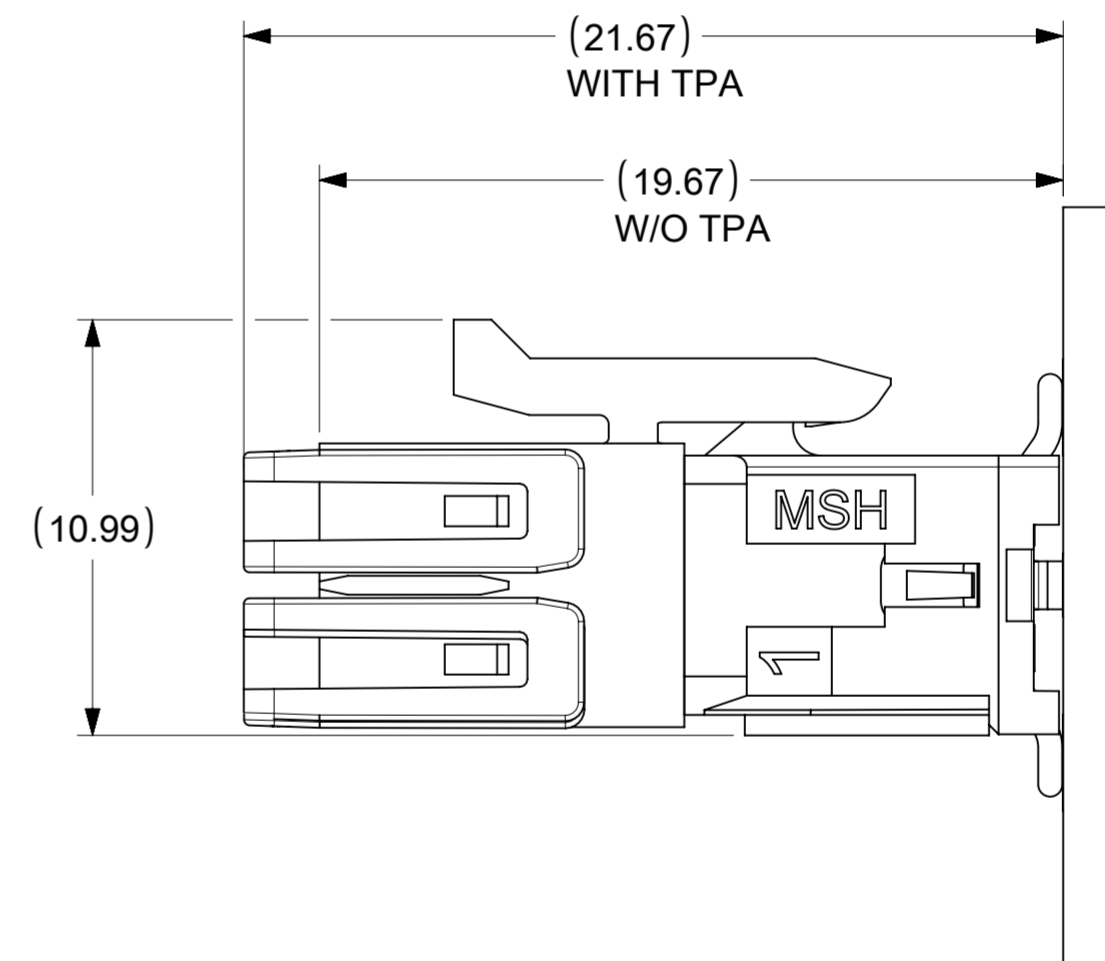
6CKT



8CKT



PCB LAYOUT: COMPONENT SIDE



MATE WITH 206461 SERIES

THIS DRAWING CONTAINS INFORMATION THAT IS PROPRIETARY TO MOLEX ELECTRONIC TECHNOLOGIES, LLC AND SHOULD NOT BE USED WITHOUT WRITTEN PERMISSION																									
DIMENSION UNITS		SCALE		CURRENT REV DESC:																					
mm		NTS																							
GENERAL TOLERANCES (UNLESS SPECIFIED)				EC NO: 834974						MICRO-FIT PLUS DUAL ROW VERTICAL HEADER SMT HEADER WITH NAIL															
ANGULAR TOL $\pm 3.0^\circ$				4 PLACES \pm		DRWN: ZIXUAQ		2023/01/04																	
				3 PLACES \pm		CHK'D: XQZHANG		2026/01/14																	
				2 PLACES ± 0.25		APPR: XQZHANG		2026/01/14																	
				1 PLACE ± 0.36		INITIAL REVISION:																			
				0 PLACES \pm		DRWN: ALU002		2021/04/21																	
						APPR: XQZHANG		2022/10/17																	
DRAFT WHERE APPLICABLE MUST REMAIN WITHIN DIMENSIONS		THIRD ANGLE PROJECTION		DRAWING		SERIES		MATERIAL NUMBER		CUSTOMER		SHEET NUMBER													
				A2-SIZE		218216		SEE TABLE		GENERAL MARKET		2 OF 2													
DOCUMENT STATUS		P1		RELEASE DATE		2026/01/14		03:15:45		DOCUMENT NUMBER		2182160020-SD		DOC TYPE		PSD		DOC PART		000		REVISION		A1	