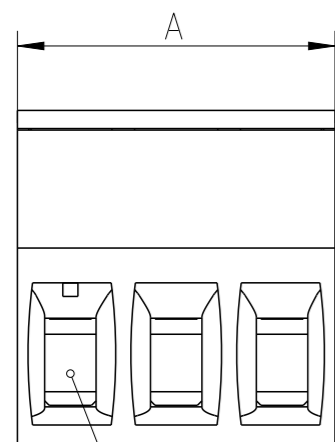
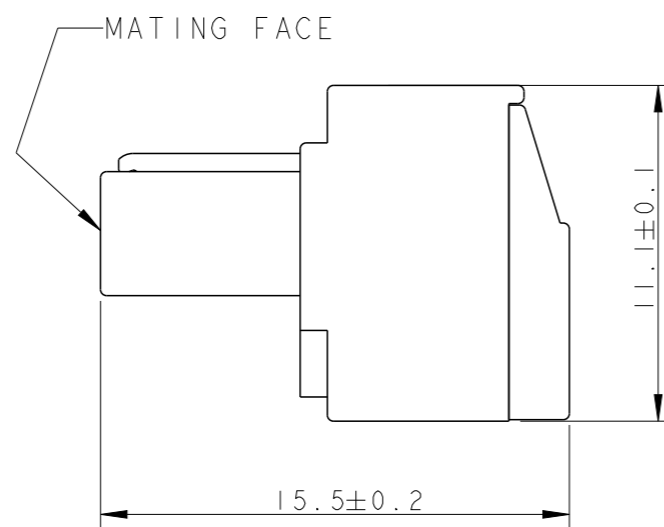


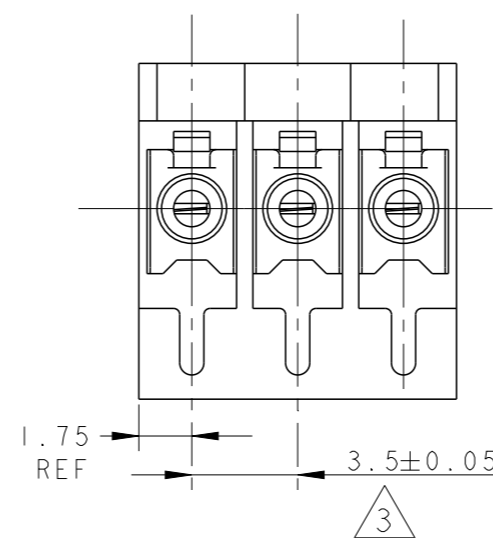
P	LTR	DESCRIPTION	DATE	DWN	APVD
	C1	REVISED PER ECO-11-005009	12MAR2011	HMR	CR
	C2	STATUS CHANGED TO PRODUCTION 1776242-6	21JUL2023	SP	PS



WIRE ENTRY

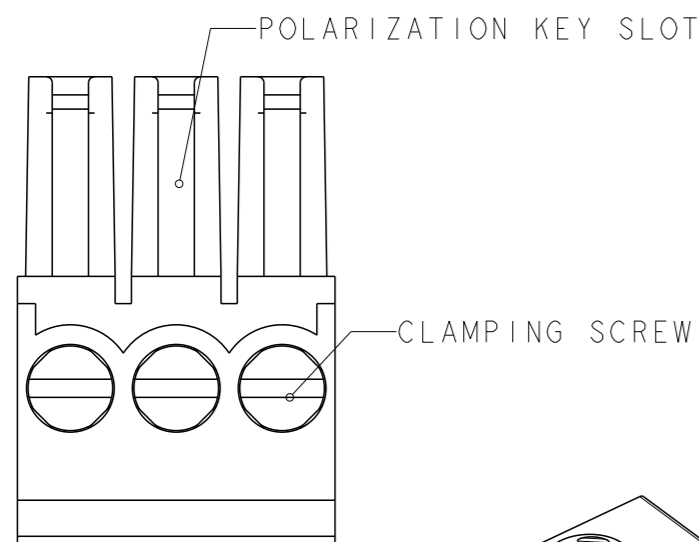


MATING FACE



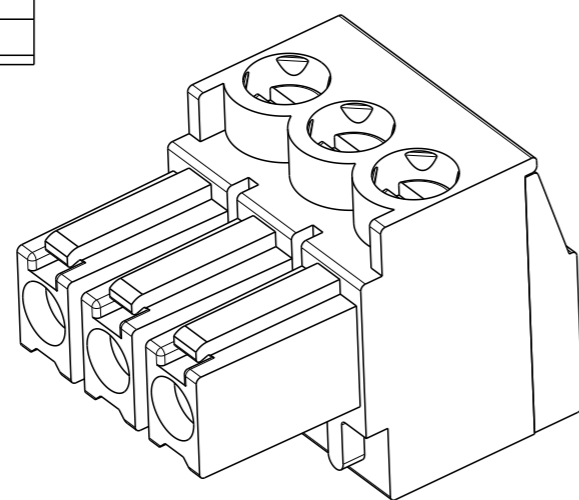
NOTES:

1. MATERIAL AND FINISH :
 HOUSING : POLYAMIDE UL94 V0, COLOR- BLACK
 CAGE : COPPER ALLOY , NICKEL PLATED
 CONTACT : COPPER ALLOY , TIN PLATED OVER NICKEL UNDERPLATED.
 SCREW : M2, COPPER ALLOY, NICKEL PLATED.
2. ELECTRICAL PROPERTIES:
 WIRE RANGE : 14-30 AWG
 RATED VOLTAGE : 300V
 RATED CURRENT : 11A
 CONTACT RESISTANCE : <15 m Ohm
 INSULATION RESISTANCE : >1000 M Ohm (500V DC)
3. NOT CUMULATIVE TOLERANCE
4. MECHANICAL PROPERTIES:
 RECOMENDED TIGHTENING TORQUE : 0.2Nm
 WIRE STRIPPING LENGTH : 6mm
5. OPERATING TEMPERATURE RANGE : -40°C TO +105°C.



6. OBSOLETE

7. PACKAGING: BULK PACKING AS PER 107-160052

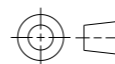


1776242-3 AS SHOWN

TIN	35.0	10	6	1-1776242-0
TIN	31.5	9	6	1776242-9
TIN	28.0	8	6	1776242-8
TIN	24.5	7	6	1776242-7
TIN	21.0	6	6	1776242-6
TIN	17.5	5	6	1776242-5
TIN	14.0	4	6	1776242-4
TIN	10.5	3	6	1776242-3
TIN	7.0	2	6	1776242-2
TERMINAL PLATING	A	NO OF POSN	PART NUMBER	

THIS DRAWING IS A CONTROLLED DOCUMENT.

DIMENSIONS:
mm



TOLERANCES UNLESS OTHERWISE SPECIFIED:

0 PLC	±-
1 PLC	±.3
2 PLC	±.25
3 PLC	±-
4 PLC	±-
ANGLES	±2°

MATERIAL



FINISH



DWN 02SEP2009

S SCHLEGEL

CHK 02SEP2009

C RICHARD

APVD 02SEP2009

C RICHARD

PRODUCT SPEC

108-161088

APPLICATION SPEC

114-20079

WEIGHT -

CUSTOMER DRAWING

NAME
TERMINAL BLOCK PLUG STACKING
3.5mm PITCH

SIZE CAGE CODE DRAWING NO RESTRICTED TO

A300779 C-1776242

SCALE 4:1 SHEET 1 OF 1 REV C2

TE TE Connectivity