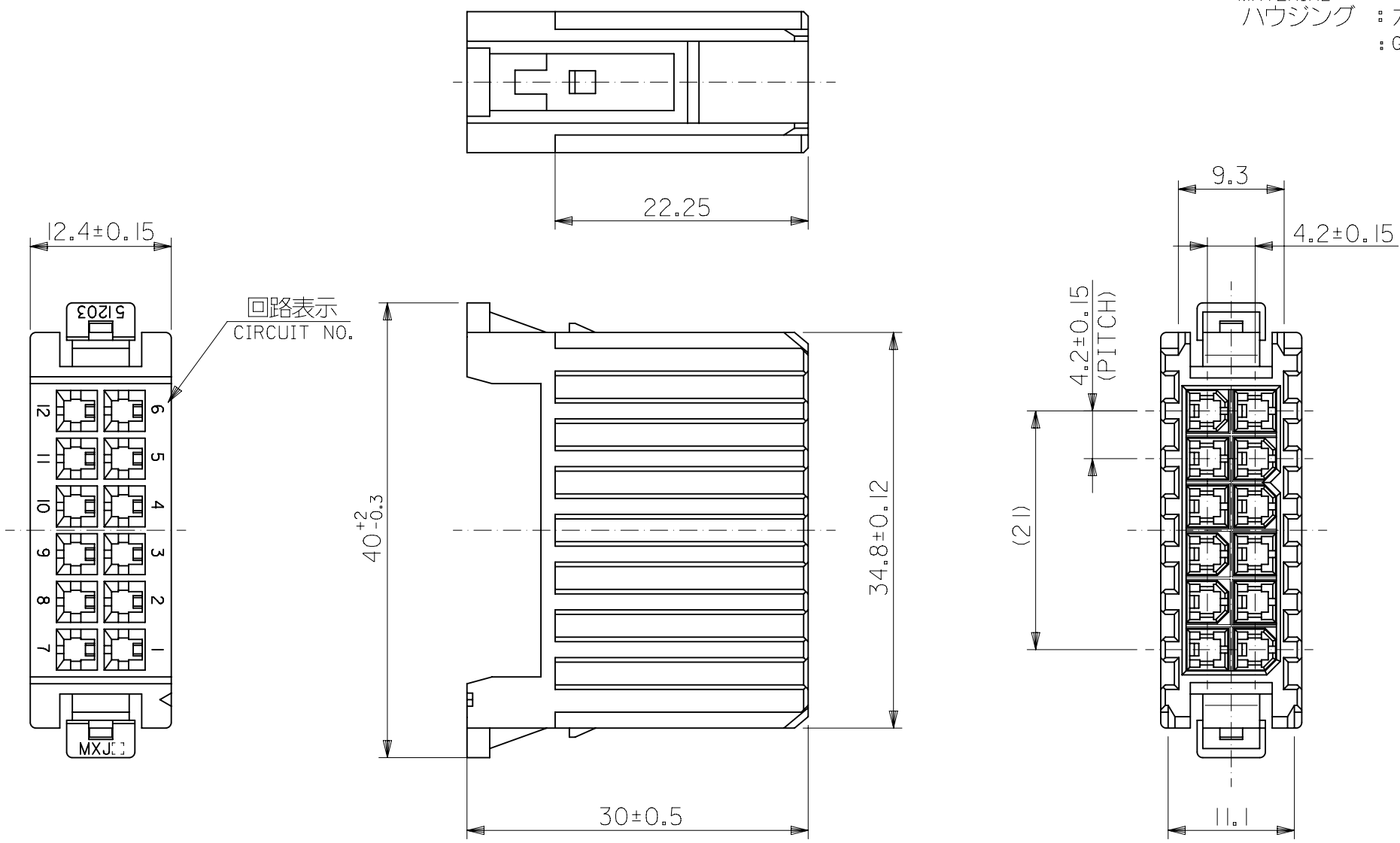


注記
NOTES.

1. 適合ターミナル : 5558****
APPLICABLE TERMINAL : 5558****
2. 材質
MATERIAL
ハウジング : ガラス入りナイロン66 UL94V-0 色 : 自然色
: G.F. NYLON UL94V-0 COLOR : NATURAL



51203-1200	51203-1200
MATERIAL.NO	MODEL.NO

GENERAL TOLERANCES: (UNLESS SPECIFIED) 一般公差		THIS DRAWING CONTAINS INFORMATION THAT IS PROPRIETARY TO MOLEX ELECTRONIC TECHNOLOGIES, LLC AND SHOULD NOT BE USED WITHOUT WRITTEN PERMISSION	
10 UNDER 未満	±0.2	DIMENSION UNITS mm	SCALE 2:1
10 OVER 以上 30 UNDER 未満	±0.25	GENERAL TOLERANCES (UNLESS SPECIFIED)	CURRENT REV DESC: RETRACTED AS PER THE REQUEST CASE #01114726
30 OVER 以上	±0.3	ANGULAR TOL ± °	EC NO: 831459
ANGLE 角度	±3°	4 PLACES ±	DRWN: VISHAH2 2025/07/04
		3 PLACES ±	CHKD: GB 2025/08/13
		2 PLACES ±	APPR: GB 2025/08/13
		1 PLACE ±	INITIAL REVISION:
		0 PLACES ±	DRWN: RFC_PLMIMP 2018/10/15
			APPR: RFC_PLMIMP 2018/10/15
		DRAFT WHERE APPLICABLE MUST REMAIN WITHIN DIMENSIONS	THIRD ANGLE PROJECTION
			DRAWING SERIES MATERIAL NUMBER CUSTOMER SHEET NUMBER
			B-SIZE 51203 SEE TABLE GENERAL MARKET 1 OF 1

molex			
POWER CONN. 12P PIN HOUSING			
PRODUCT CUSTOMER DRAWING			
DOCUMENT NUMBER	DOC TYPE	DOC PART	REVISION
SD-51203-002	PSD	001	C