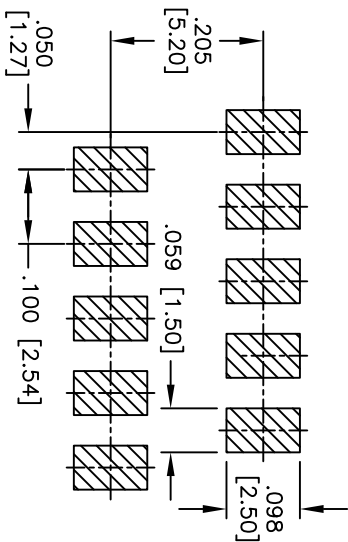
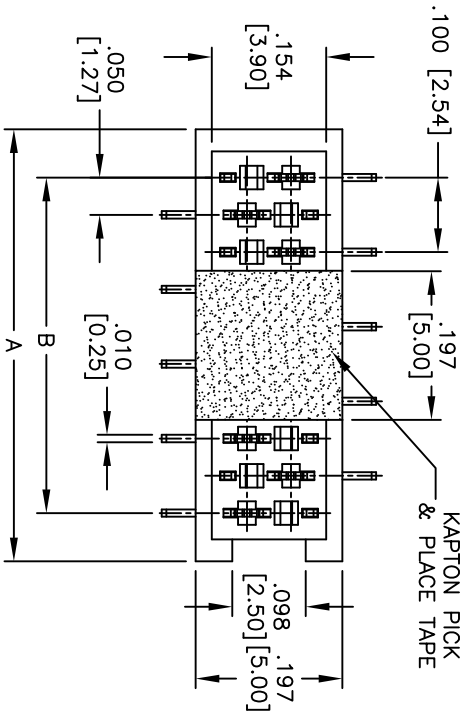
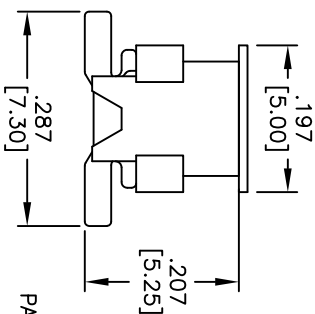
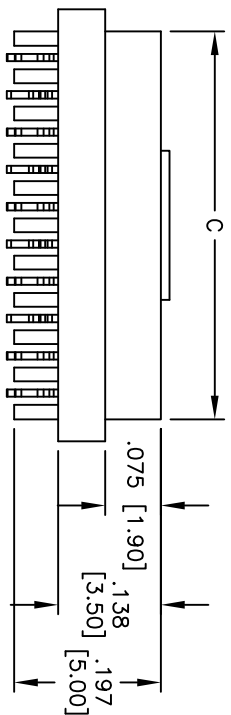


APPROVED: _____
 DATE: _____ TITLE: _____

| Rev | AWO # | Description | Date | Appr |
|-----|-------|-----------------------|---------|------|
| - | | RELEASED | 9/14/10 | |
| A | | UNDERPLATE WAS COPPER | 1/31/12 | SS |



RECOMMENDED PCB LAYOUT



PACKAGED ON TAPE & REEL

SPECIFICATIONS:

- Material: Insulator: Hi-temp thermoplastic, rated UL 94V-0
- Insulator color: Red
- Contacts: Phosphor Bronze
- Plating: Tin over Nickel underplate overall
- Electrical: Current rating: 1.0 AMP
- Contact resistance: 20 mohms max.
- Insulation resistance: 1,000 Mohms min.
- Dielectric withstanding: 500V AC for 1 minute
- Temperature Rating: Operating temperature: -40°C to +105°C
- Environmental: Lead free, RoHS compliant
- Recommended soldering temp: 260°C for 5 seconds

Positions: 4 thru 20
 A = .050 [1.27] x No. of Positions + .076 [1.92]
 B = .050 [1.27] x No. of Spoces
 C = .050 [1.27] x No. of Positions + .020 [0.52]

UNLESS OTHERWISE SPECIFIED
 ALL DIMENSIONS ARE INCHES [MM]
 TOLERANCES: EXCEPT AS NOTED
 INCHES HOLE5
 .X ± .10 ØXX ± .10
 .XX ± .020 ØXXX ± .015
 .XXX ± .015 ØXXXX ± .010

ADAM TECH
 909 Rahway Avenue, Union, NJ 07083
 Phone: 908-687-5000 Fax: 908-687-5710
 TITLE: .050 [1.27] MICRO MATCH SOCKET, SMT TYPE
 TIN PLATED

| APPROVALS | DATE | SIZE | PART NO. | REV. |
|------------|---------|------|-----------------------|------|
| DRAWN AY | 9/14/10 | X | MPF-A-XX-SMT-1-KT-T/R | A |
| CHECKED VW | 9/14/10 | X | | |
| APPROVED | | | REF: S00019C | |

