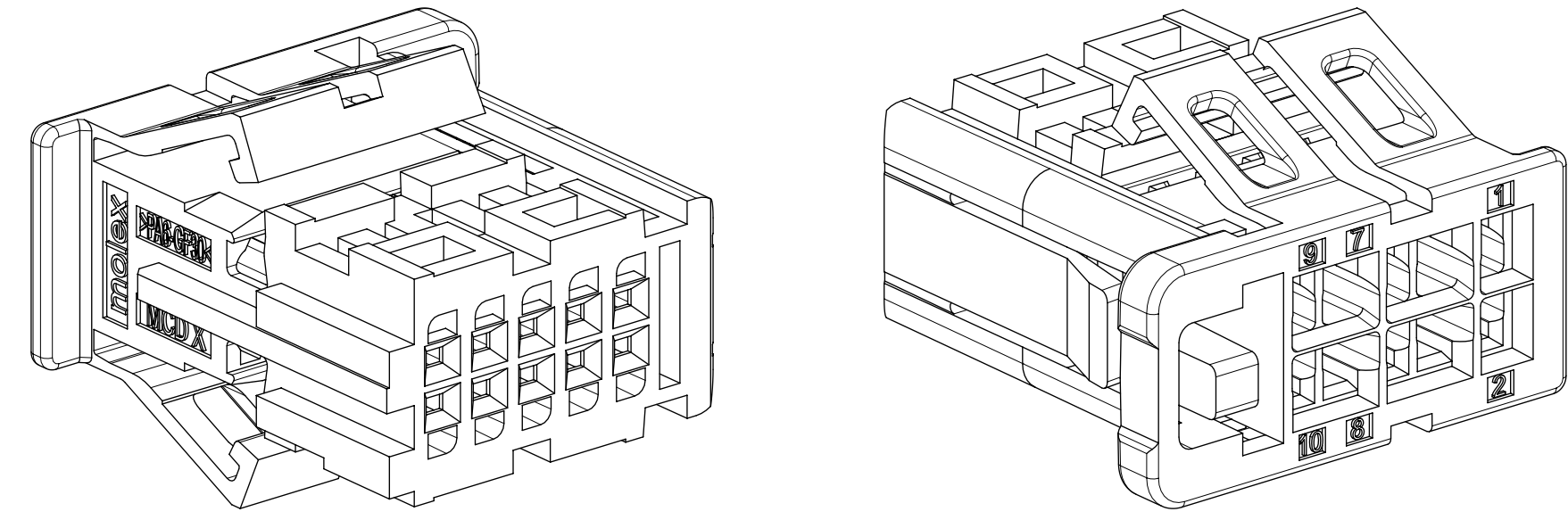
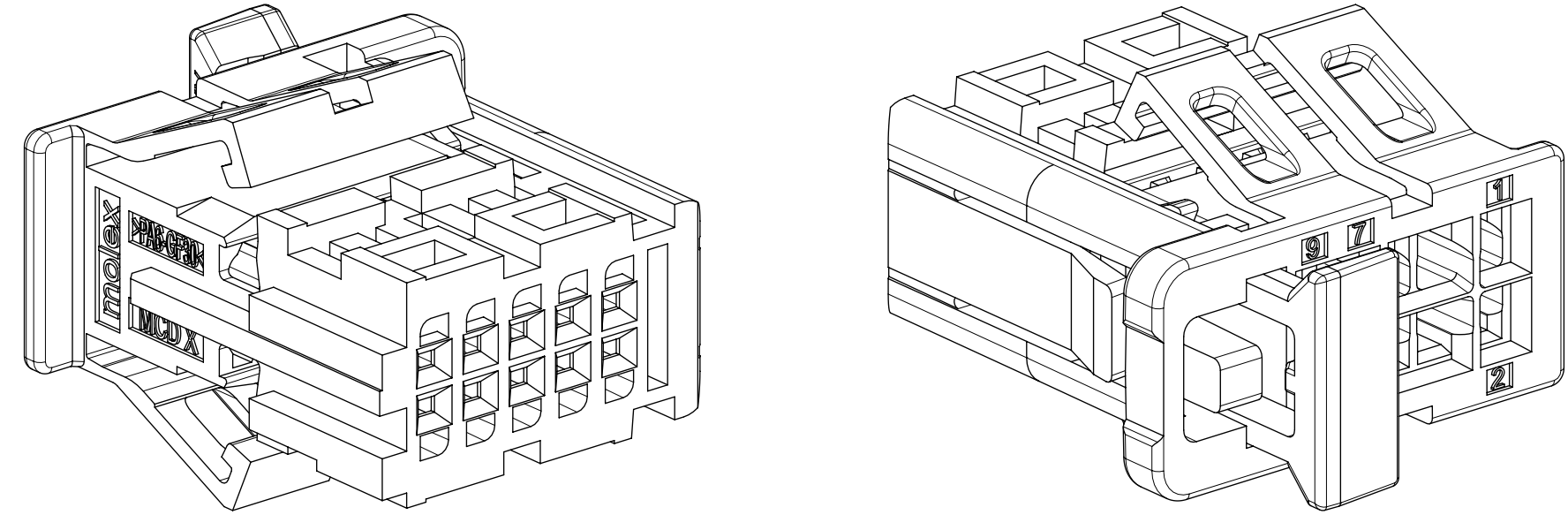


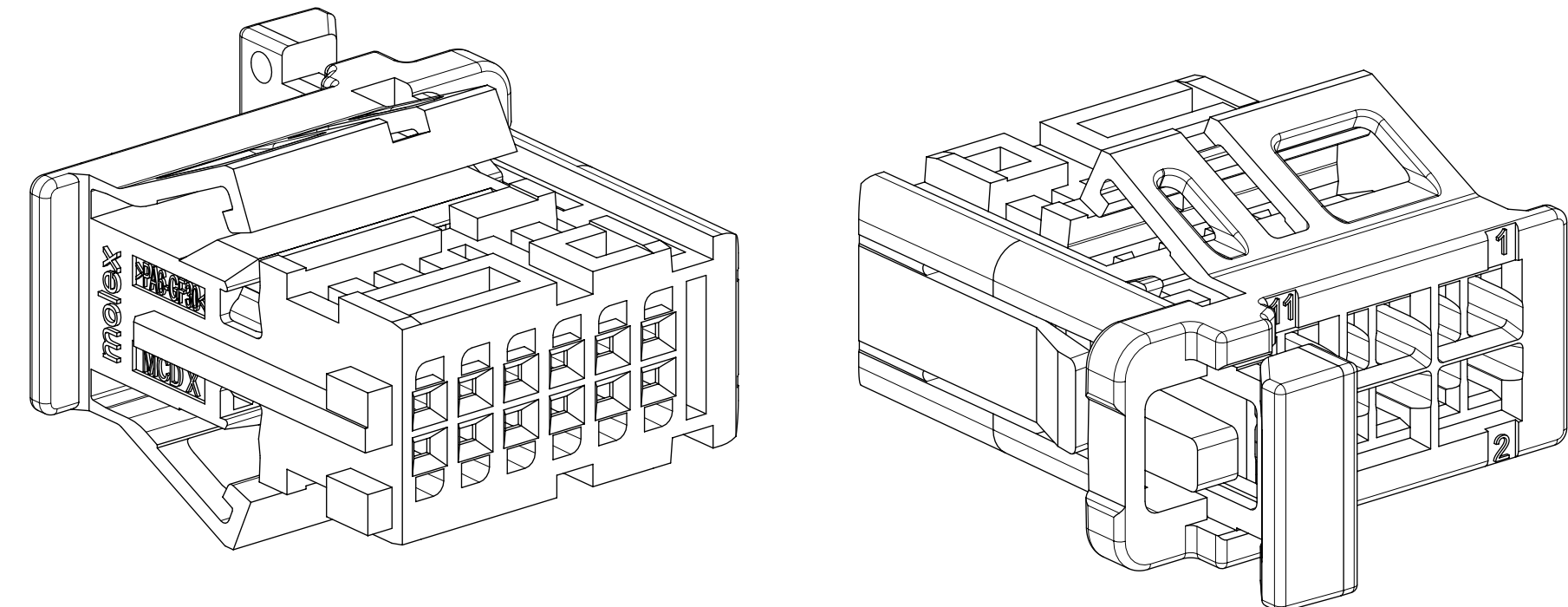
RECEPTACLE ONLY 10CKT SHOWN:



RECEPTACLE WITH LARGE CPA 10CKT SHOWN, 8 USABLE CIRCUITS



RECEPTACLE WITH SMALL CPA 12CKT SHOWN, 12 USABLE CIRCUITS



CIRCUIT SIZE	DIM A	DIM B	DIM C	KEY	COLOR	RECEPTACLE ONLY			RECEPTACLE WITH LARGE CPA			RECEPTACLE WITH SMALL CPA				
						PART NUMBER	USABLE CIRCUITS	WEIGHT (g)	PART NUMBER	USABLE CIRCUITS	WEIGHT (g)	PART STATUS	PART NUMBER	USABLE CIRCUITS	WEIGHT (g)	PART STATUS
10	15.96	12.88	2.90	A	BLACK	2058252101	10	1.01	2058264081	8	1.12	AVAILABLE	2058262101	10	1.11	AVAILABLE
				B	NATURAL	2058252102	10	1.01					2058262102	10	1.11	
				C	BLUE	2058252103	10	1.01					2058262103	10	1.11	
				D	VIOLET	2058252104	10	1.01					2058262104	10	1.11	
12	17.76	14.68	3.80	A	BLACK	2058252121	12	1.13	N/A	N/A	N/A	N/A	2058262121	12	1.23	AVAILABLE
				B	NATURAL	2058252122	12	1.13					2058262122	12	1.23	
				C	BLUE	2058252123	12	1.13					2058262123	12	1.23	
				D	VIOLET	2058252124	12	1.13					2058262124	12	1.23	
16	21.36	18.28	5.60	A	BLACK	2058252161	16	1.38	N/A	N/A	N/A	N/A	2058262161	16	1.49	AVAILABLE
				B	NATURAL	2058252162	16	1.38					2058262162	16	1.49	
				C	BLUE	2058252163	16	1.38					2058262163	16	1.49	
				D	VIOLET	2058252164	16	1.38					2058262164	16	1.49	
18	23.16	20.08	6.50	A	BLACK	2058252181	18	1.51	N/A	N/A	N/A	N/A	2058262181	18	1.62	AVAILABLE
				B	NATURAL	2058252182	18	1.51					2058262182	18	1.62	
				C	BLUE	2058252183	18	1.51					2058262183	18	1.62	
				D	VIOLET	2058252184	18	1.51					2058262184	18	1.62	
22	26.76	23.68	8.30	A	BLACK	2058252221	22	1.85	2058264201	20	1.96	AVAILABLE	2058262221	22	1.95	AVAILABLE
				B	NATURAL	2058252222	22	1.85	2058264202	20	1.96		2058262222	22	1.95	
				C	BLUE	2058252223	22	1.85	2058264203	20	1.96		2058262223	22	1.95	
				D	VIOLET	2058252224	22	1.85	2058264204	20	1.96		2058262224	22	1.95	

NOTES:

VALID UNLESS OTHERWISE SPECIFIED

1. GENERAL:

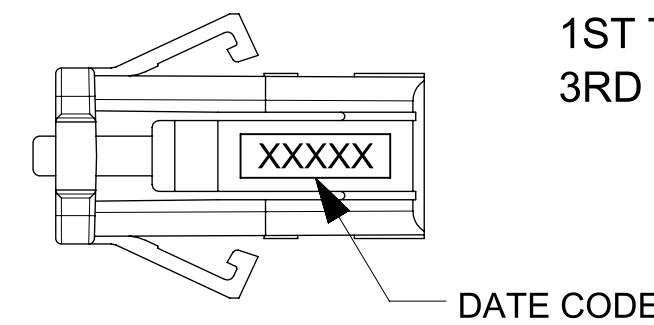
- 1.1 APPLICATION SPECIFICATION SEE: 2046310000-AS
- 1.2 PRODUCT SPECIFICATION SEE: 2046310000-PS
- 1.3 PACKAGING SPECIFICATION PER MOLEX DRAWING: PK-31301-695
- 1.4 COMPATIBLE WITH STANDARD AK INTERFACE DRAWING C-114-94000-20 REV A1
- 1.5 COMPATIBLE WITH MOLEX AK INTERFACE 2046310002
- 1.6 TOLERANCES APPLY IN DRY AS MOLDED STATE ONLY

2. DESIGN - MATERIALS:

- 2.1 RECEPTACLE HOUSING:
 - a. MATERIAL: PA6-GF30%
 - b. COLOR: SEE PART TABLE
- 2.2 CPA
 - a. MATERIAL: PA6-GF30%
 - b. COLOR: RED

3. DESIGN - GEOMETRY:

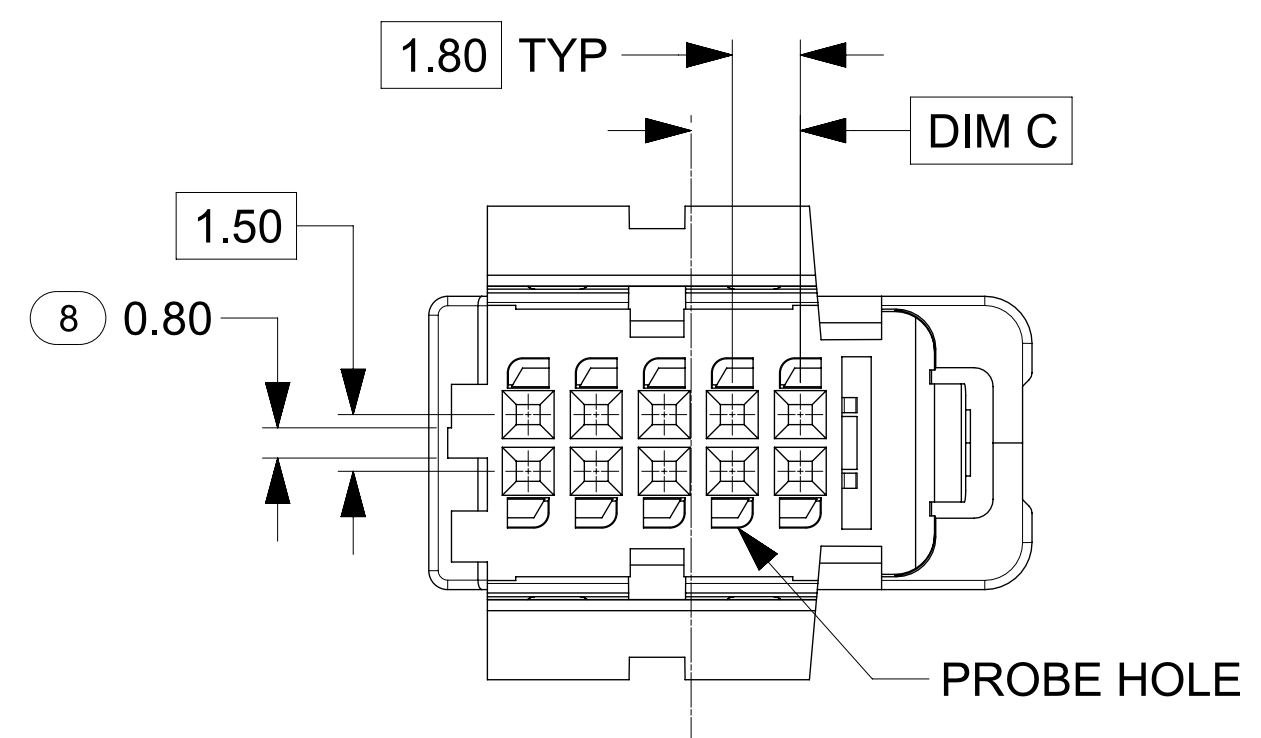
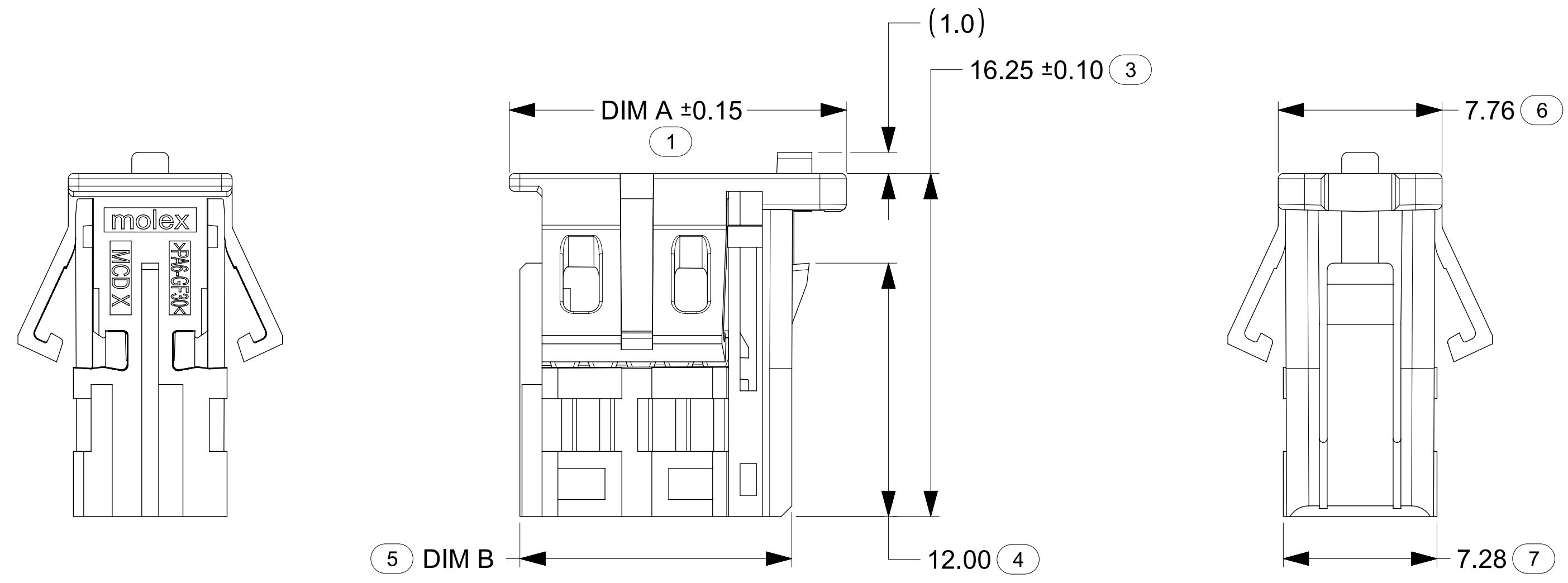
- 3.1 GEOMETRIC DIMENSIONS AND TOLERANCES PER ASME Y14.5-2018
- 3.2 EDGES AND UNDIMENSIONED DETAILS PER ISO13715
- 3.3 CORNERS SHOWN AS SHARP TO BE R 0.2 MAX.
- 3.4 MARKED TEXT TO INCLUDE:
 - a. FOR RECEPTACLE COMPONENT: RECYCLING CODE, CAVITY ID, AND VENDOR IDENTIFICATION.
 - b. FOR ASSEMBLY ONLY: LASER ETCHED DATE CODE
1ST THROUGH 2ND DIGIT = CALENDAR YEAR
3RD THROUGH 5TH DIGIT = "DAY #" OF YEAR



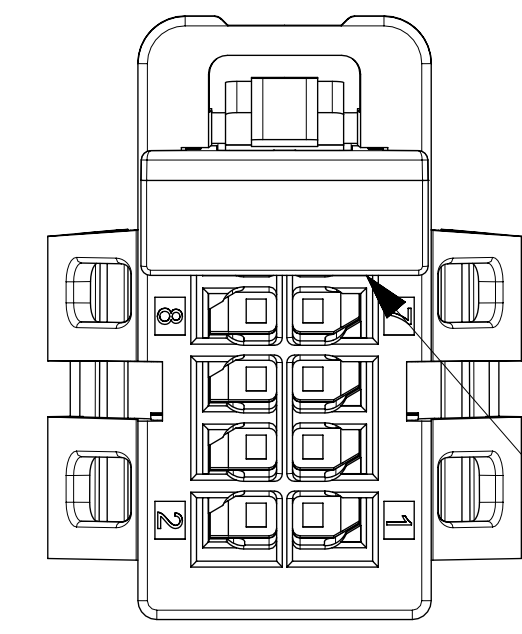
B6	UPDATED FOR 10CKT/18CKT/22CKT STATUS WITH AVAILABLE
B5	SHEET 1 ADDED WEIGHTS TO BOM TABLE
B4	UPDATED FOR 10CKT/22CKT WITH SMALL CPA
B3	UPDATED FOR SMALL CPA & 12/16CKT
B2	CHANGED COLOR OF KEY B FROM GREY TO NATURAL IN THE BOM TABLE
B1	ADDED NOTE 1.7; INTERNAL GEOMETRY CHANGES; REMOVED DIM 2
B	RAISED LATCH PAD ADDED; CPA MAX DIMENSIONS ADJUSTED; BALLOON NUMBERS ADDED; NOTES MODIFIED; CPA COLOR CHANGE
A5	NON FUNCTIONAL CHANGES
REV	DESCRIPTION

FUNCTIONAL SYMBOLS FA = 0 FE = 0 FP = 0	THIS DRAWING CONTAINS INFORMATION THAT IS PROPRIETARY TO MOLEX ELECTRONIC TECHNOLOGIES, LLC AND SHOULD NOT BE USED WITHOUT WRITTEN PERMISSION		CURRENT REV DESC: Update 10/18/22w status and part weight	
	DIMENSION UNITS MM	SCALE 5:1		
DIVISIONAL SYMBOLS	GENERAL TOLERANCES (UNLESS SPECIFIED)		STATUS: Production DRWN: Kenneth Dai CHK'D: Nick Wang APPR: Ringo Hu	2025-10-19 2025-12-02 2025-12-04
	ANGULAR TOL ± 0.5°			
INSPECTION BALLOON NUMBER LOG PER DRAWING REVISION: B5		4 PLACES ±	DRAWING SERIES D-SIZE 205825	MATERIAL NUMBER CUSTOMER SEE NOTES GENERAL MARKET
LAST BALLOON USED: 24		3 PLACES ±		
ADDED BALLOON NUMBERS: 23, 24		2 PLACES ±		
REMOVED BALLOON NUMBERS:		1 PLACE ±		
THIRD ANGLE PROJECTION MUST REMAIN WITHIN DIMENSIONS		0 PLACES ±	SHEET NUMBER 1 OF 2	

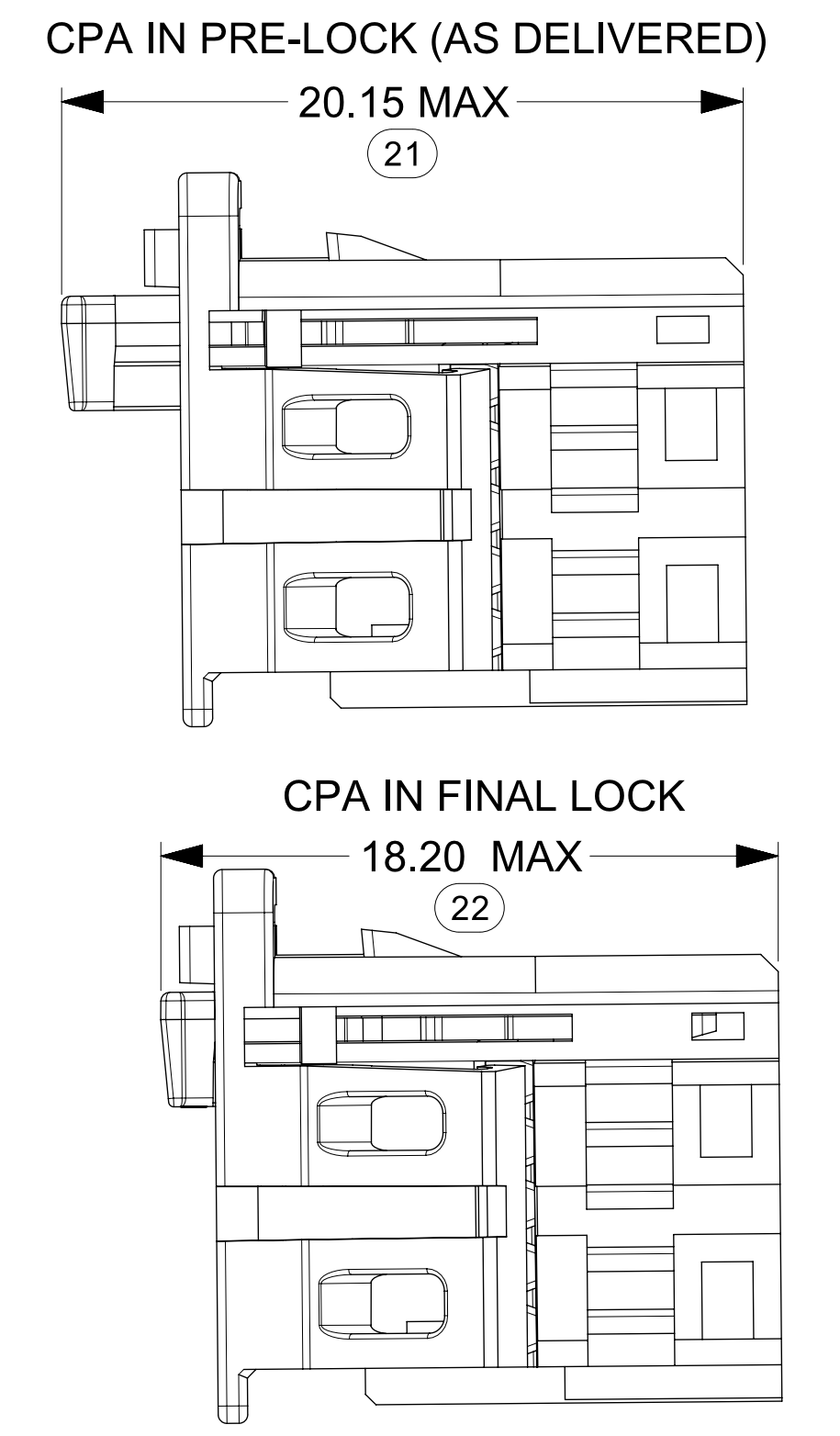
CONNTAK50 DUAL ROW TANG RECEPTACLE RECEPTACLE/CPA ASSEMBLY			
PRODUCT CUSTOMER DRAWING			
DOCUMENT NUMBER	DOC TYPE	DOC PART	REVISION
2058250002	PSD	000	B6



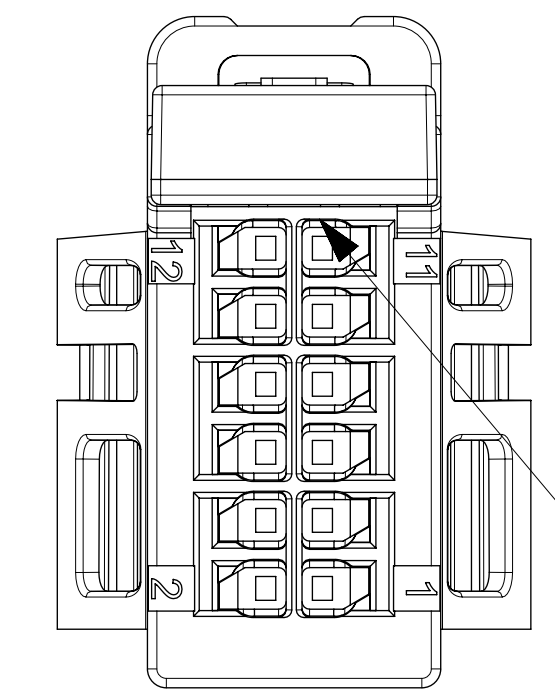
LARGE CPA:



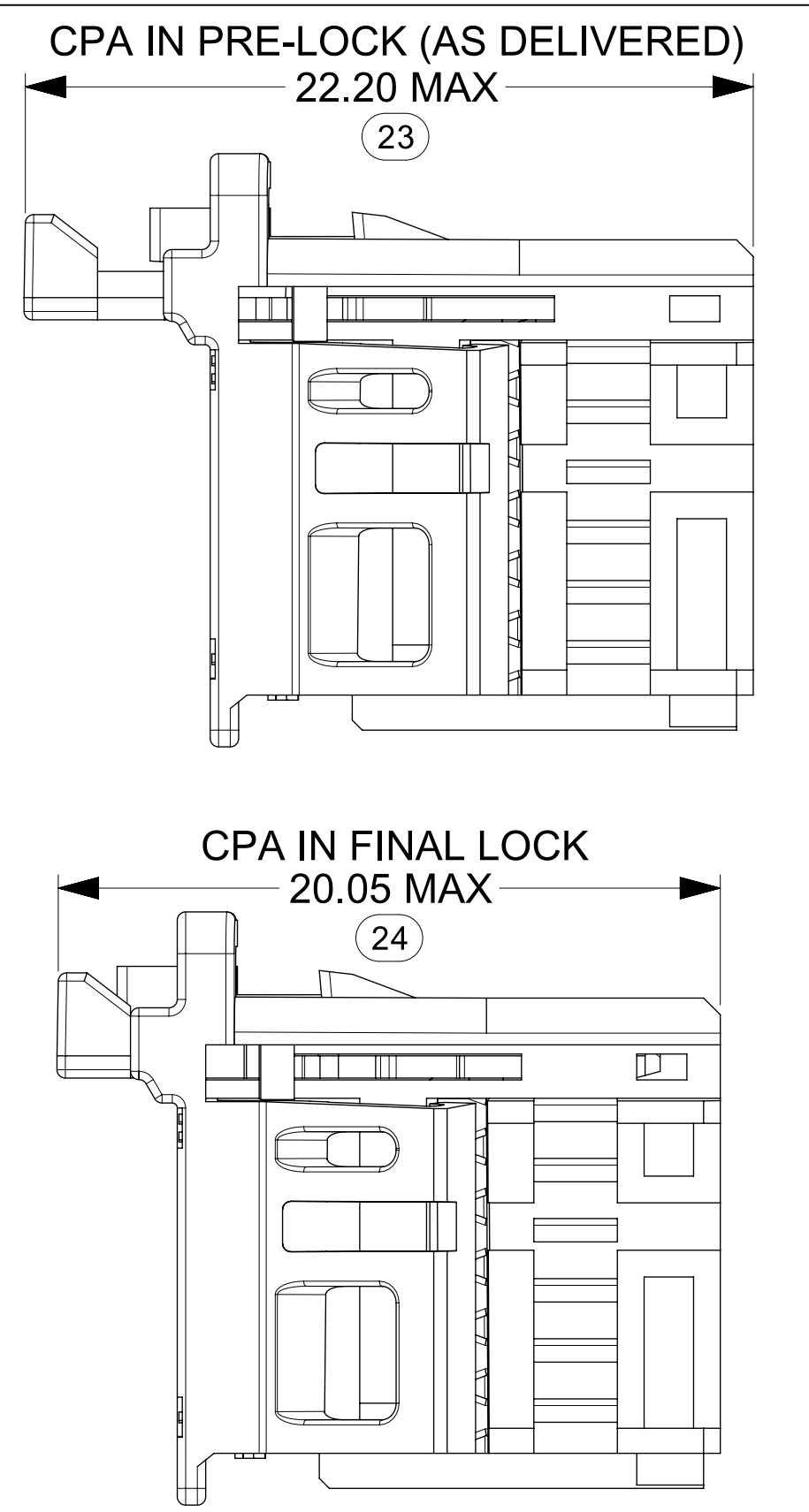
NOTE: 2 CIRCUITS UNAVAILABLE WHEN LARGE CPA IS USED



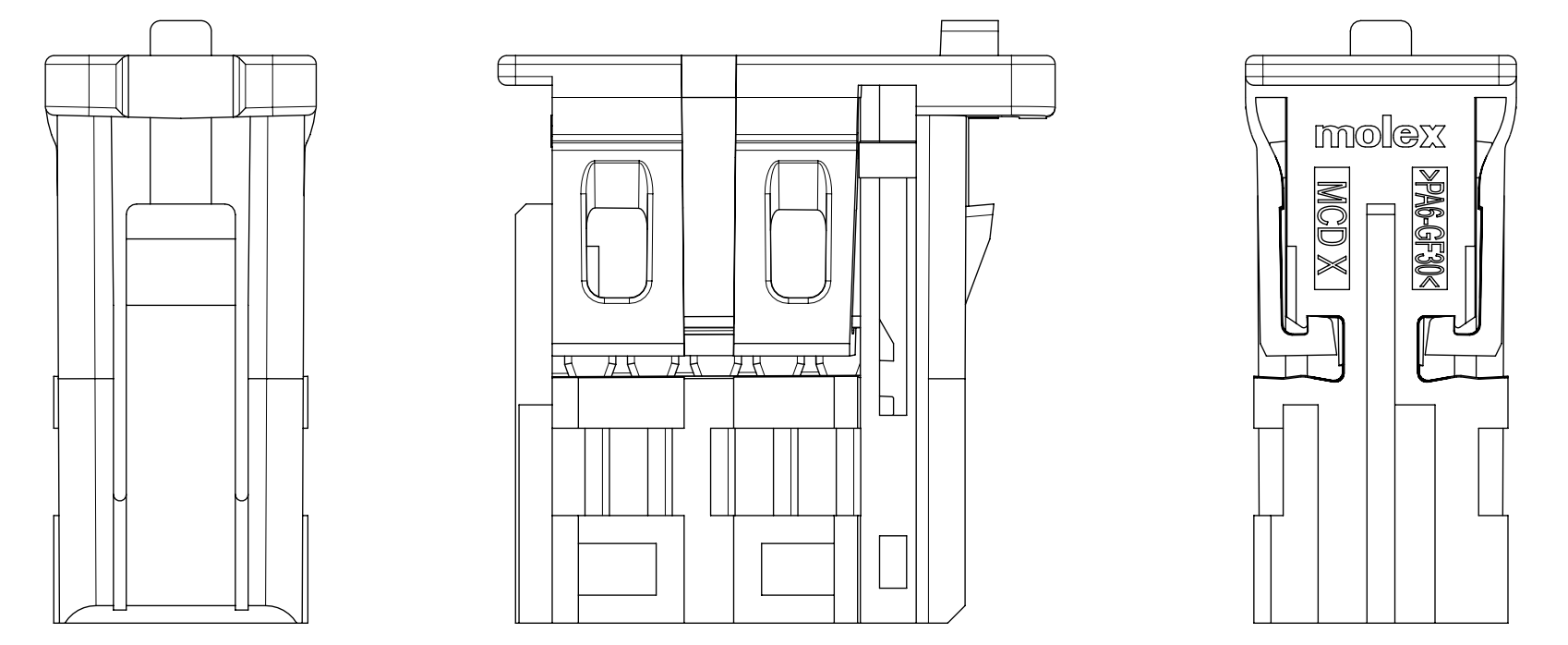
SMALL CPA:



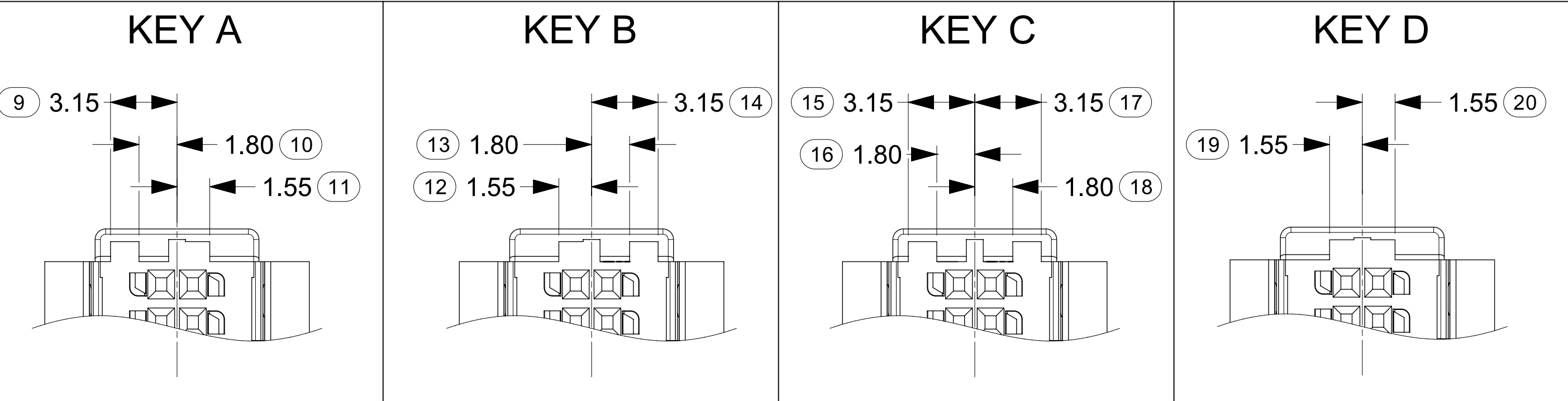
NOTE: ALL CIRCUITS AVAILABLE WHEN SMALL CPA IS USED



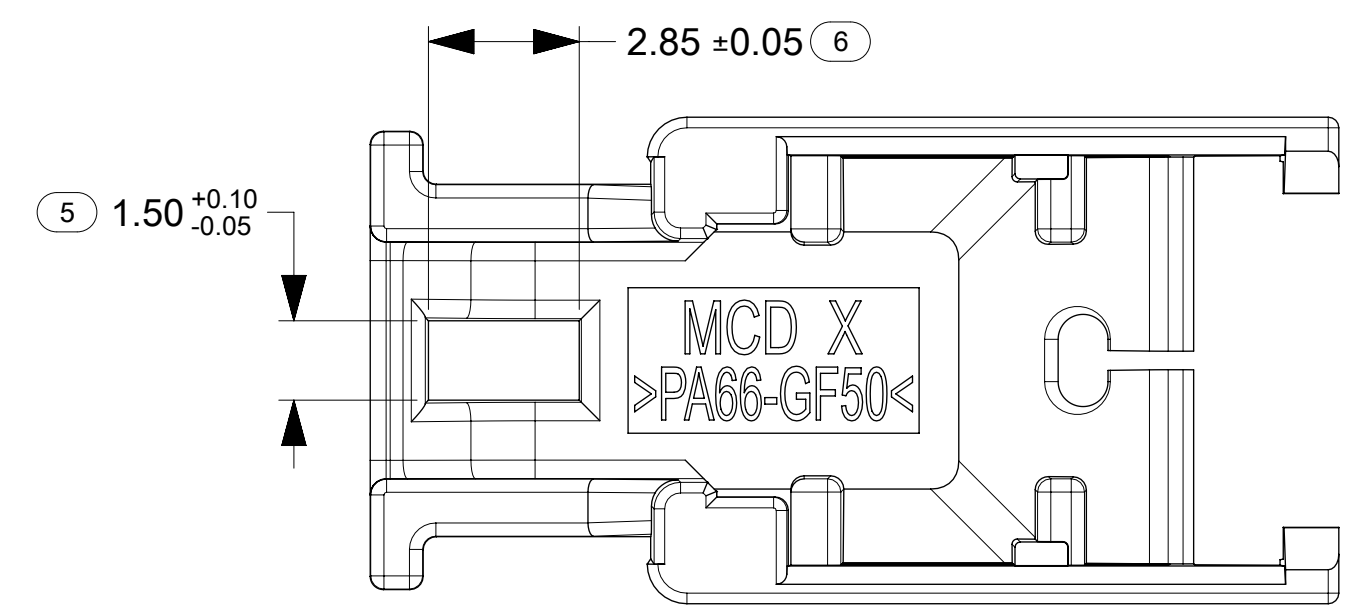
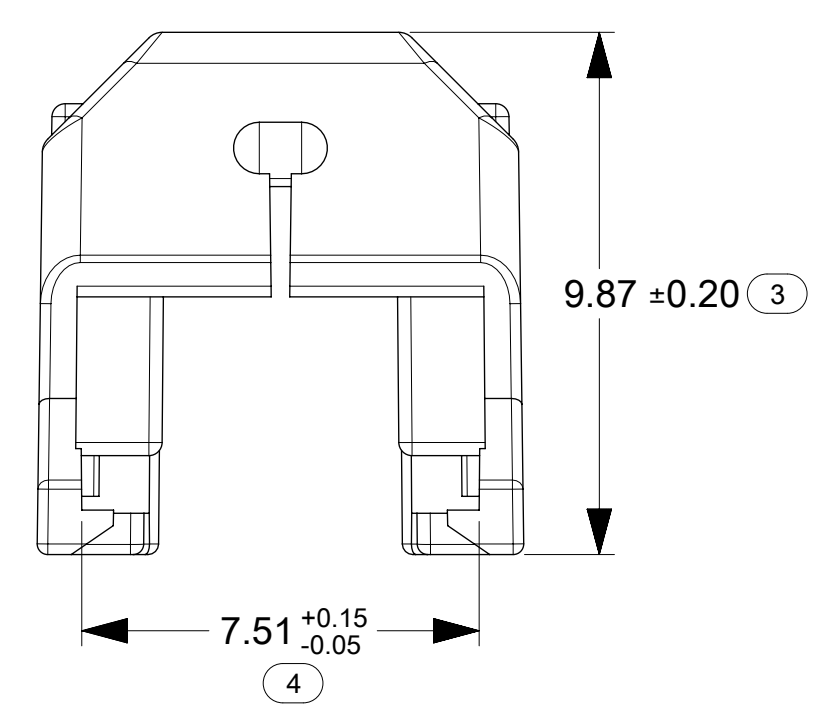
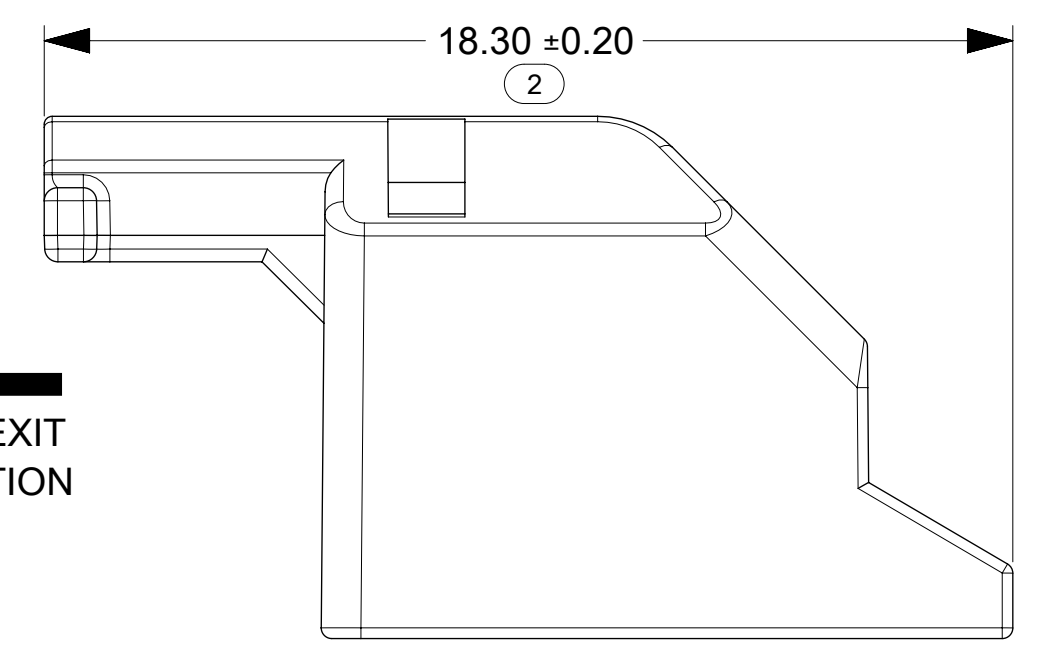
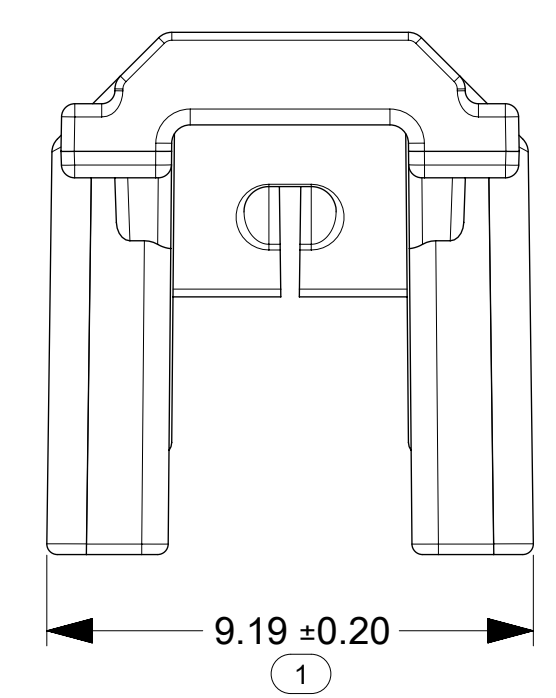
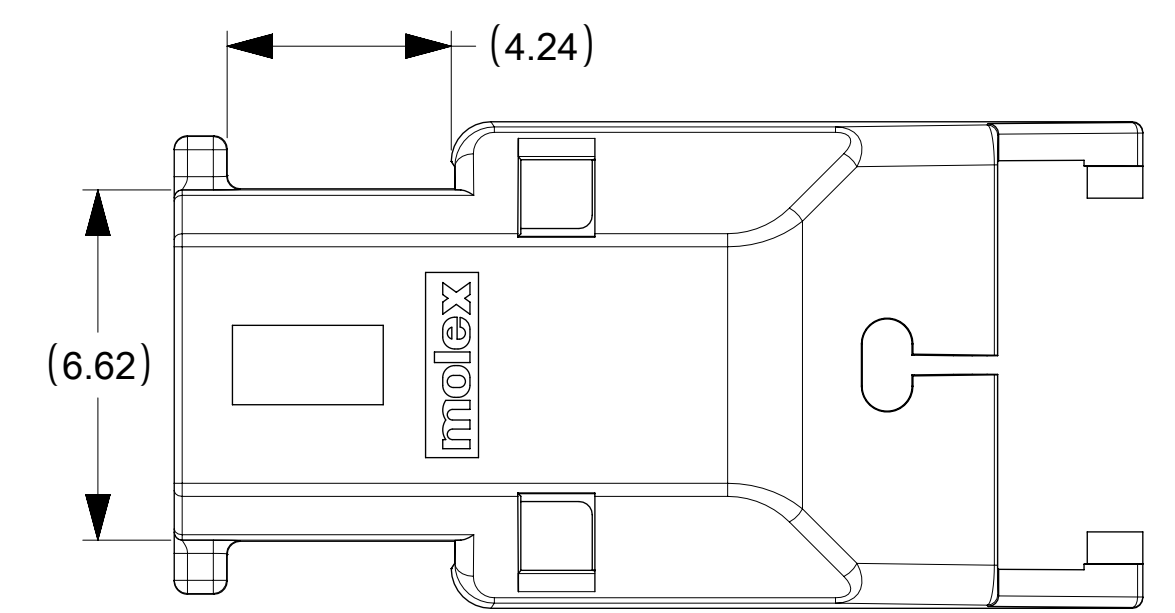
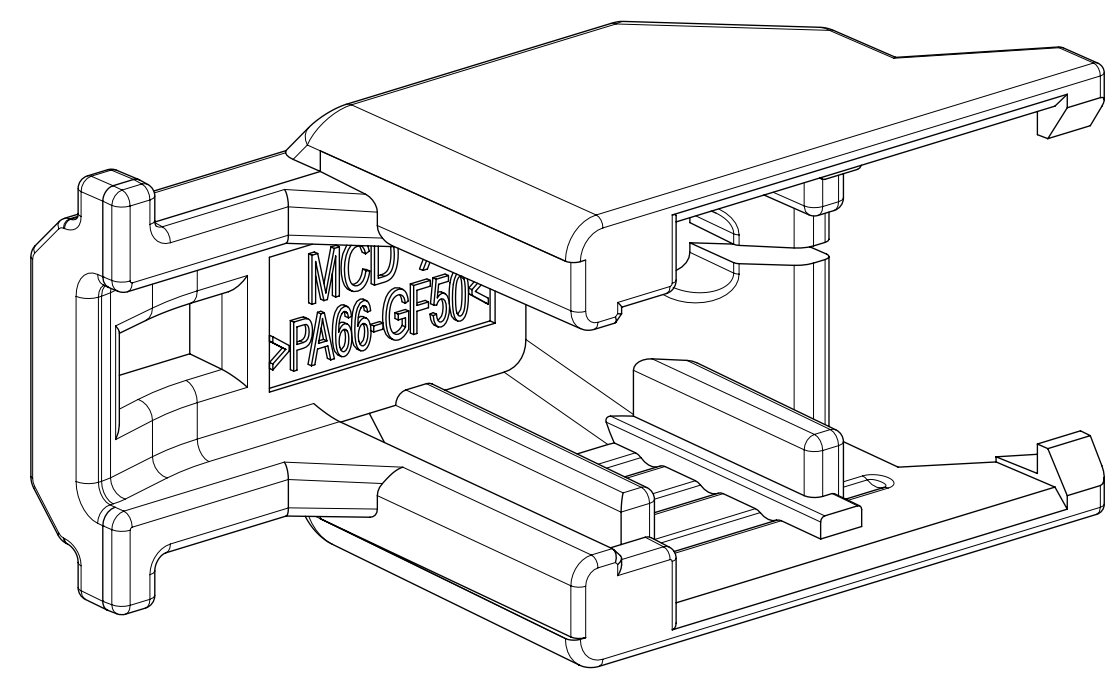
ISL IN FINAL LOCK



KEYS / POLARIZATIONS / CODINGS



FUNCTIONAL SYMBOLS $F_A = 0$ $F_C = 0$ $F_D = 0$ DIVISIONAL SYMBOLS	THIS DRAWING CONTAINS INFORMATION THAT IS PROPRIETARY TO MOLEX ELECTRONIC TECHNOLOGIES, LLC AND SHOULD NOT BE USED WITHOUT WRITTEN PERMISSION		DIMENSION UNITS: MM SCALE: 5:1		CURRENT REV DESC: Update 10/18/22w status and part weight	
	GENERAL TOLERANCES (UNLESS SPECIFIED)					
	ANGULAR TOL $\pm 0.5^\circ$					
	4 PLACES \pm 3 PLACES \pm 2 PLACES \pm 1 PLACE \pm 0 PLACES \pm					
DRAFT WHERE APPLICABLE MUST REMAIN WITHIN DIMENSIONS			THIRD ANGLE PROJECTION		STATUS: Production DRWN: Kenneth Dai CHK'D: Nick Wang APPR: Ringo Hu	
DRAWING: D-SIZE		SERIES: 205825		2025-10-19 2025-12-02 2025-12-04		
MATERIAL NUMBER: SEE NOTES		CUSTOMER: GENERAL MARKET		DOCUMENT NUMBER: 2058250002 DOC TYPE: PSD DOC PART: 000 REVISION: B6		
SHEET NUMBER: 2 OF 2				PRODUCT CUSTOMER DRAWING		



NOTES:

- 1. GENERAL:
 - 1.1 PRODUCT SPECIFICATION: 2046310000-PS
 - 1.2 TEST SUMMARY: 2046310204-TS
 - 1.3 APPLICATION SPECIFICATION: 2046310000-AS
 - 1.4 PACKAGING SPECIFICATION: PK-31301-898
 - 1.5 COSMETIC SPECIFICATION: PS-45499-002 CLASS B
 - 1.6 GEOMETRIC TOLERANCES: ASME Y14.5-2018
 - 1.7 ATTACHES TO: SEE COMPATIBLE PARTS TABLE
 - 1.8 COVER IS COMPATIBLE WITH AND WITHOUT CPA
- 2. MATERIALS:
 - 2.1 HOUSING MATERIAL: PA66-GF50

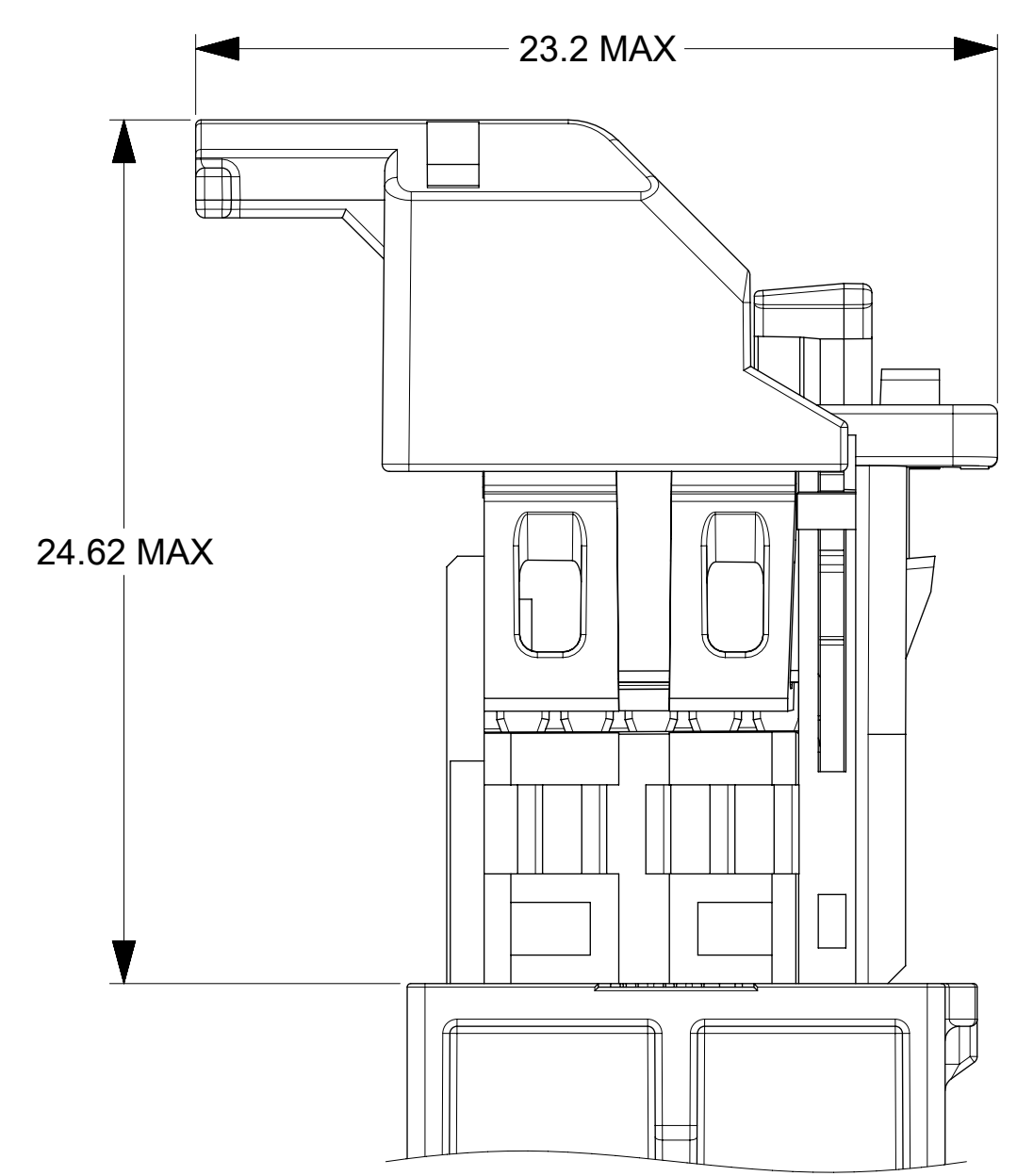
PRODUCT PART NUMBER:

PRODUCT PART NUMBER	DESCRIPTION	COLOR
2058267100	CONNTAK50 DUAL ROW 10CKT INTERFACE (8CKT WITH CPA) WIRE DRESS COVER	BLACK

COMPATIBLE PARTS TABLE:

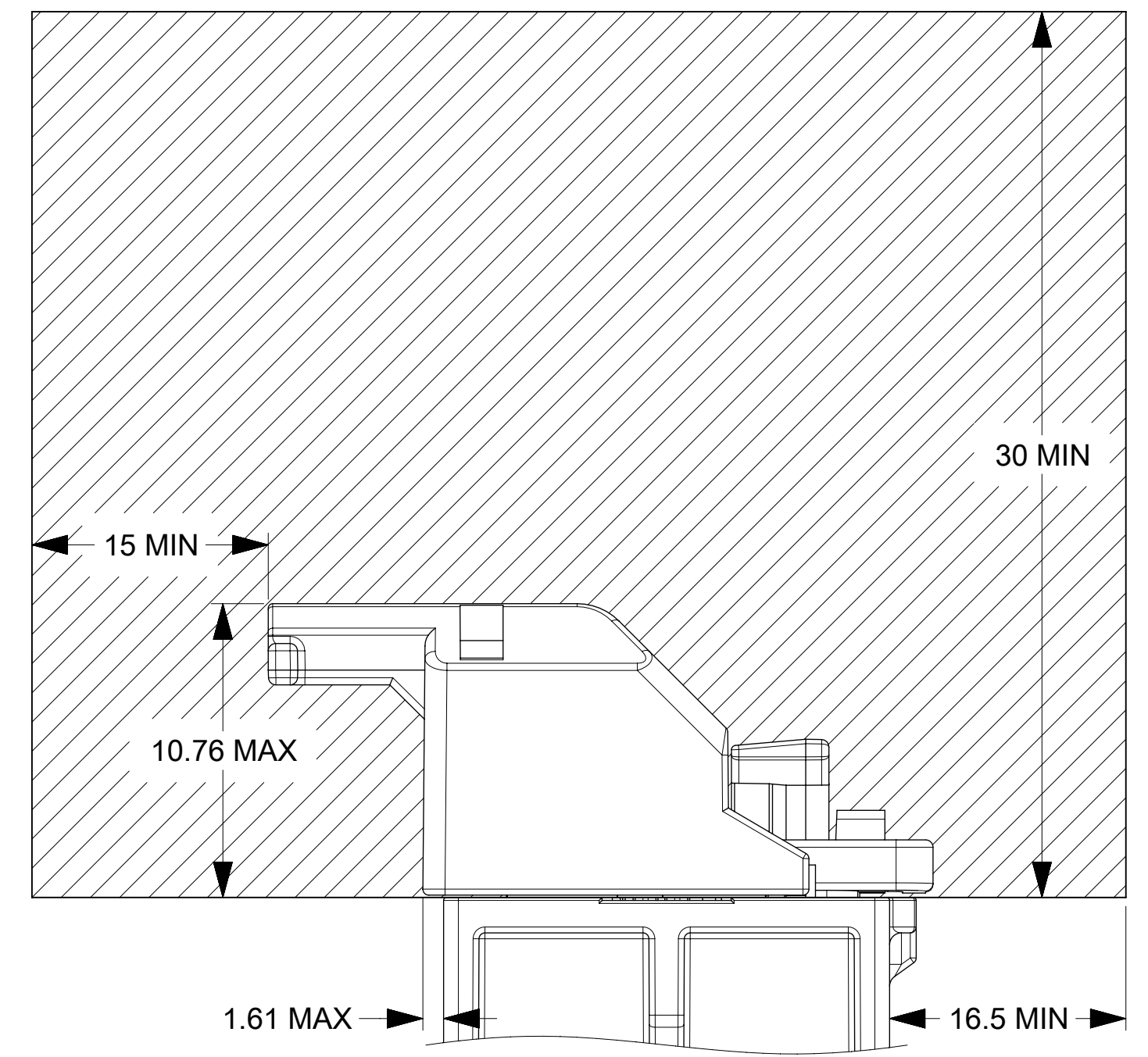
COMPATIBLE PART NUMBER	DESCRIPTION	INTERFACE CKT SIZE
2058252101	CONNTAK50 10CKT RECEPTACLE - KEY A	10 CKTS
2058252102	CONNTAK50 10CKT RECEPTACLE - KEY B	10 CKTS
2058252103	CONNTAK50 10CKT RECEPTACLE - KEY C	10 CKTS
2058252104	CONNTAK50 10CKT RECEPTACLE - KEY D	10 CKTS
2058264081	CONNTAK50 8CKT RECEPTACLE WITH CPA - KEY A	10 CKTS
2058264082	CONNTAK50 8CKT RECEPTACLE WITH CPA - KEY B	10 CKTS
2058264083	CONNTAK50 8CKT RECEPTACLE WITH CPA - KEY C	10 CKTS
2058264084	CONNTAK50 8CKT RECEPTACLE WITH CPA - KEY D	10 CKTS

DIMENSIONS ON HEADER BEFORE MATING

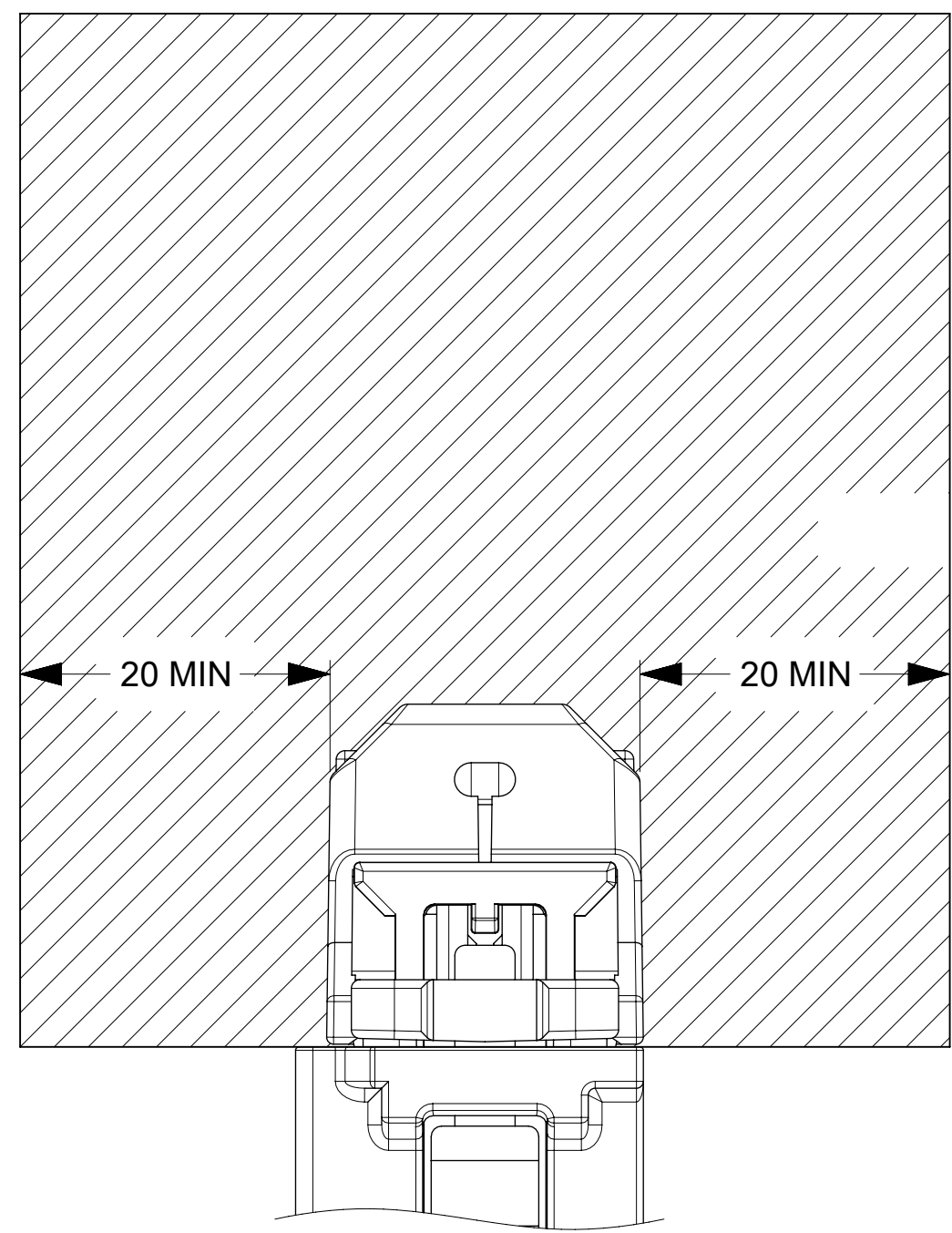


SCALE 5:1

RECOMMENDED MINIMUM CLEARANCES TO UNMATE HARNESS CONNECTOR



SCALE 5:1



SCALE 5:1

INSPECTION BALLOON LOG

PER DRAWING REVISION: A1

TOTAL BALLOONS: 6

ADDED BALLOONING NUMBERS:

A1	ADDED PRODUCT PART NUMBER TABLE
A	INITIAL RELEASE
REV	DESCRIPTION

REMOVED BALLOON NUMBERS:

THIS DRAWING CONTAINS INFORMATION THAT IS PROPRIETARY TO MOLEX ELECTRONIC TECHNOLOGIES, LLC AND SHOULD NOT BE USED WITHOUT WRITTEN PERMISSION

DIMENSION UNITS	SCALE
mm	7:1
GENERAL TOLERANCES (UNLESS SPECIFIED)	
ANGULAR TOL	± °
4 PLACES	±
3 PLACES	±
2 PLACES	±
1 PLACE	±
0 PLACES	±

CURRENT REV DESC:

EC NO: 662598

DRWN: ECOLARUSSO 2021/04/30

CHK'D: KHEWITT 2021/04/30

APPR: JDUNAJ 2021/04/30

INITIAL REVISION:

DRWN: ECOLARUSSO 2021/02/23

APPR: JDUNAJ 2021/02/23

molex

CONNTAK50 8/10CKT WIRE DRESS COVER

PRODUCT CUSTOMER DRAWING

DOCUMENT NUMBER	DOC TYPE	DOC PART	REVISION
2058267100-SD	PSD	000	A1

DRAFT WHERE APPLICABLE MUST REMAIN WITHIN DIMENSIONS	THIRD ANGLE PROJECTION	DRAWING	SERIES	MATERIAL NUMBER	CUSTOMER	SHEET NUMBER
		D-SIZE	205826	SEE TABLE	GENERAL MARKET	1 OF 1